



dacor.

Family-Owned. American-Made.

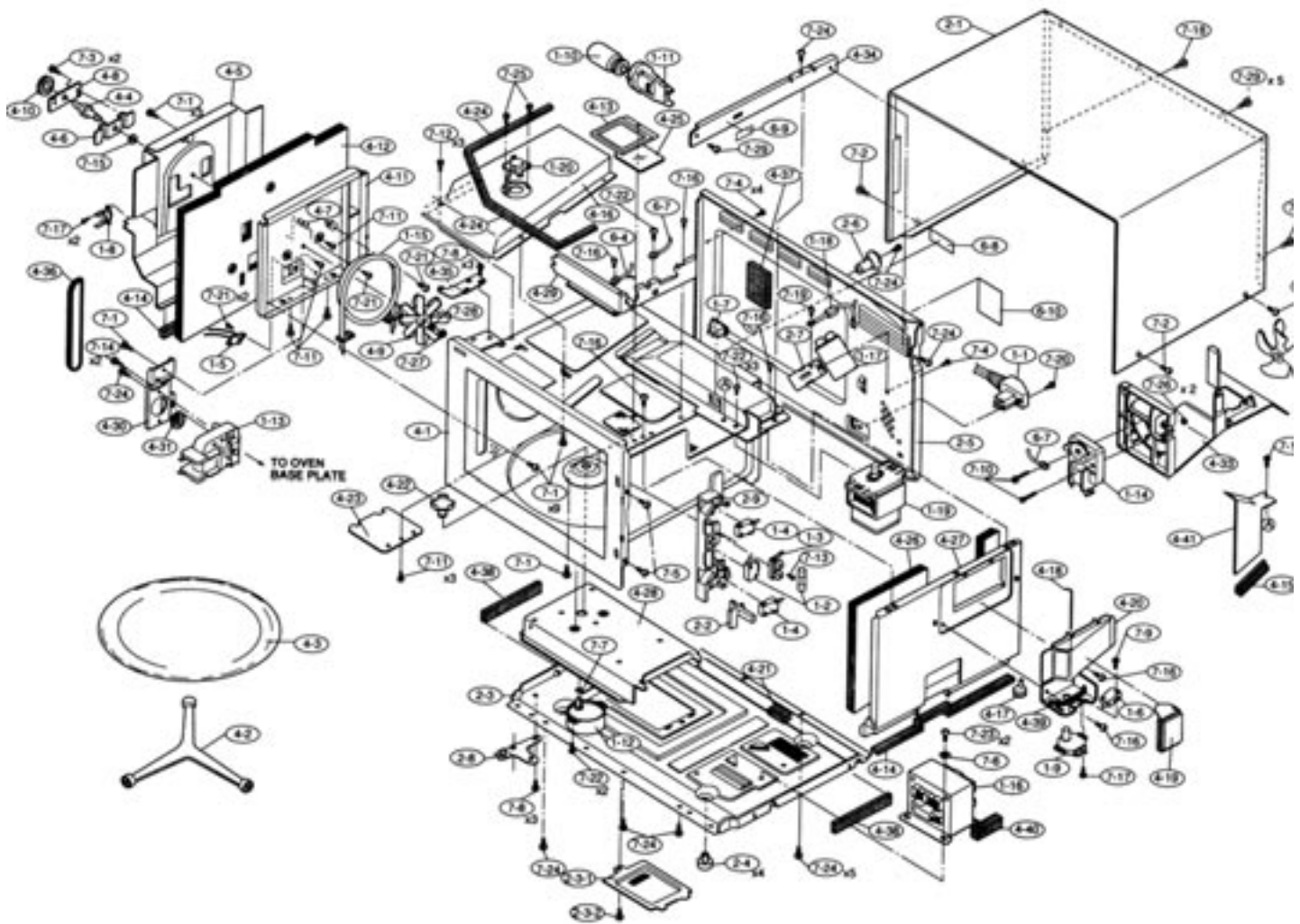


**PARTS
CATALOG**

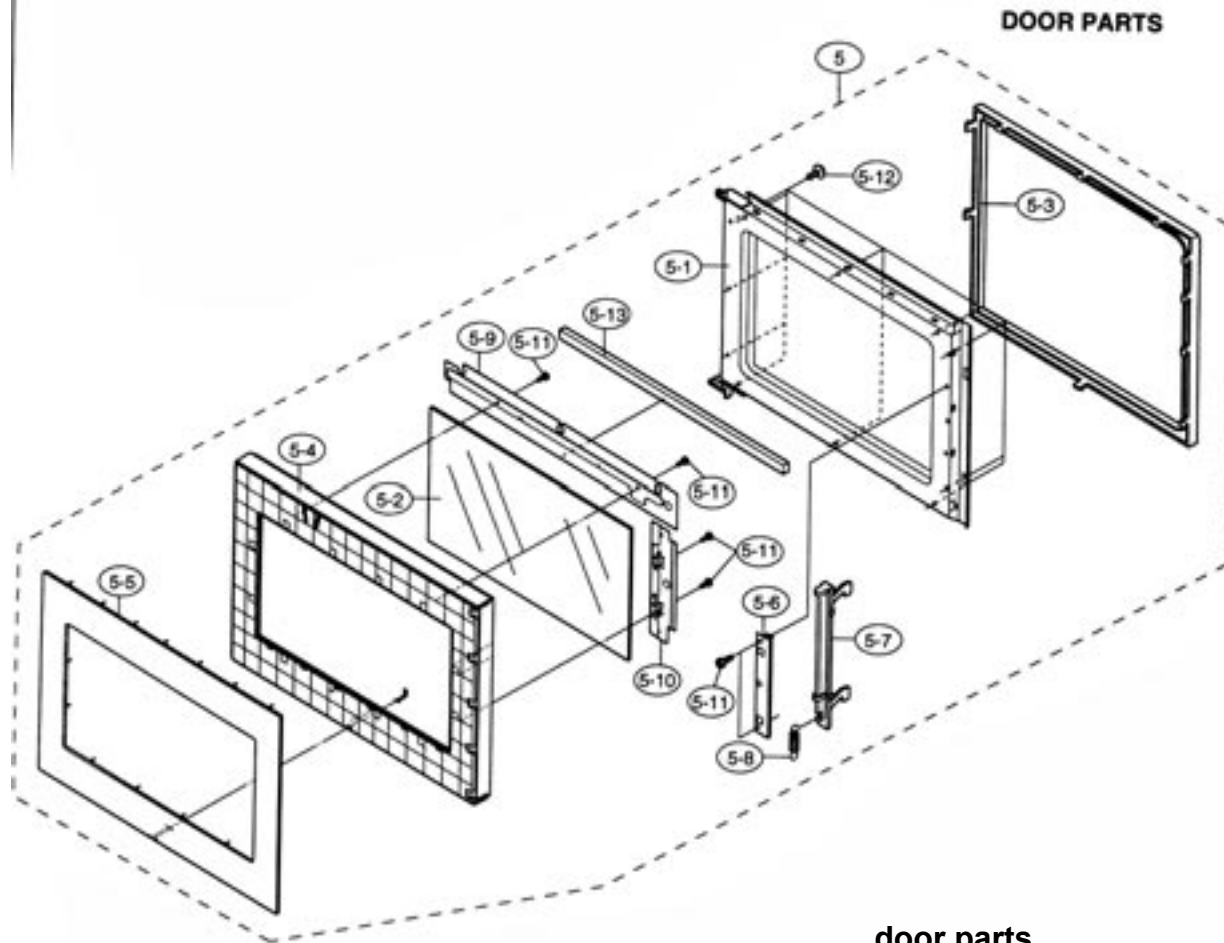
DCM24 Convection Microwave

Oven and Cabinet	Control Panel	Door
Miscellaneous	Complete Parts List	

DCM - OVEN AND CABINET



DCM DOOR



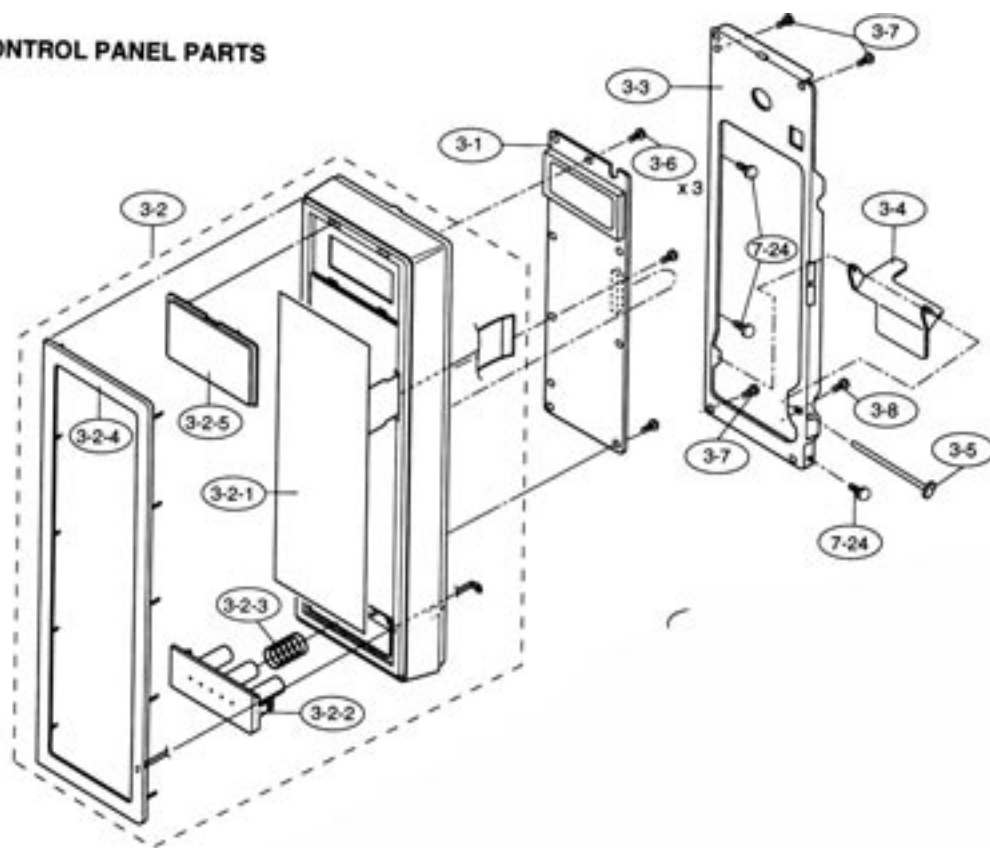
DOOR PARTS

door parts

5-	66509B	Door full assy
5-	66509B	Door full assy
5-	66509R	Door full assy
5- 1	66512	Door panel assy
5- 2	66513	Door glass (Black, Stainless)
5- 2	66514	Door glass (Arctic)
5- 3	66515	Choke cover
5- 4	66516	Door frame (Black, Stainless)
5- 4	66517	Door frame (Arctic)
5- 5	66518B	Door decoration (Black)
5- 5	66518R	Door decoration (Arctic)
5- 5	66518S	Door decoration (Stainless)
5- 6	66521	Latch angle
5- 7	66522	Latch head
5- 8	66523	Spring
5- 9	66524	Thermal plate u
5-10	66525	Thermal plate r
5-13	66526	Cushion

DCM CONTROL PANEL

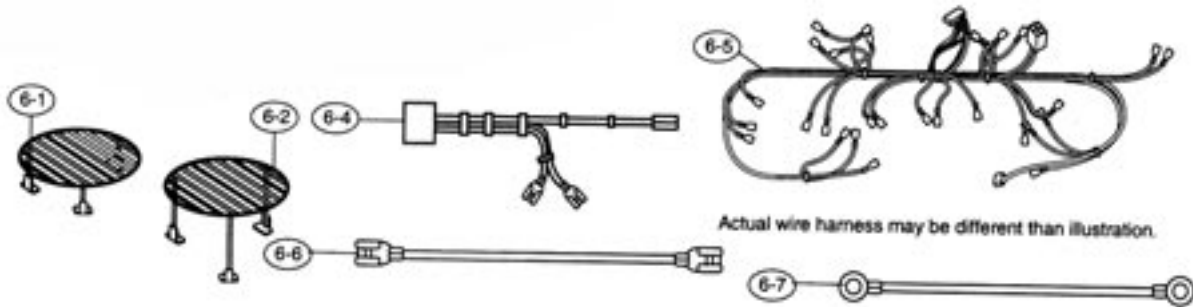
CONTROL PANEL PARTS



CONTROL PANEL PARTS

3- 1	66402	Control unit
3- 2	66403S	Panel med assy
3- 2	66403B	Panel med assy
3- 2	66403R	Panel med assy
3- 2-1	66406	Key unit (Black)
3- 2-1	66407	Key unit (Arctic)
3- 2-2	66408	Open button (Black)
3- 2-2	66409	Open button (Arctic)
3- 2-3	66410	Open button spring
3- 2-4	66411S	C/p decoration

DCM MISC PARTS



6- 1	66527	Low rack assy
6- 2	66528	High rack assy
N/A		
6- 4	66530	Thermistor harness
6- 5	66531	Main wire harness
6- 6	66532	Hv wire b
6- 7	66533	Grounding wire

DCM OVEN AND CABINET PARTS

REF NO. PARTS CODE DESCRIPTION

ELECTRICAL PARTS

1- 1	66371	Power supply cord
1- 2	66372	Monitor fuse and Micro switch assy
1- 3	66373	Fuse holder
1- 4	66374	Micro switch a
1- 5	66375	Thermistor assy
1- 7	66376	Temp. fuse 150_c
1- 8	66377	Thermal cut out
1- 9	66378	Damper motor
1-10	66379	Oven light
1-11	66380	Oven lamp socket
1-13	66381	Conv m.120
1-14	66382	Fan motor 120
1-15	66383	Heater
1-16	66384	H.v. transformer
1-17	66385	High voltage capacitor
1-18	66386	Hv rectifier assy
1-19	66387	Magnetron
1-20	66388	Turntable motor
1-21	66389	Ah sensor assy

CABINET PARTS

2- 1	66390B	Outer case cabinet
2- 1	66390R	Outer case cabinet
2- 1	66390S	Outer case cabinet
2- 3	66393	Bottom plate assy
2- 3-1	66394	Turntable motor cover
2- 4	66395	Foot
2- 5	66396	Back plate
2- 6	66397	Cord holder
2- 7	66398	Hv capacitor holder
2- 8	66399	Lower oven hinge
2- 9	66400	Latch hook
2-10	66401	Latch lever

PARTS LIST

DCM24
DCM24
DCM24

Note: The parts marked "Δ" may cause undue microwave exposure.
The parts marked "*" are used in voltage more than 250V.

REF NO	PARTS CODE	DESCRIPTION
--------	------------	-------------

ELECTRICAL PARTS

1- 1	66371	Power supply cord
1- 2	66372	Monitor fuse and Micro switch assy
1- 3	66373	Fuse holder
1- 4	66374	Micro switch a
1- 5	66375	Thermistor assy
1- 7	66376	Temp. fuse 150_c
1- 8	66377	Thermal cut out
1- 9	66378	Damper motor
1-10	66379	Oven light
1-11	66380	Oven lamp socket
1-13	66381	Conv m.120
1-14	66382	Fan motor 120
1-15	66383	Heater
1-16	66384	H.v. transformer
* 1-17	66385	High voltage capacitor
* 1-18	66386	Hv rectifier assy
* 1-19	66387	Magnetron
* 1-20	66388	Turntable motor
* 1-21	66389	Ah sensor assy

Δ*

CABINET PARTS

2- 1	66390B	Outer case cabinet
2- 1	66390R	Outer case cabinet
2- 1	66390S	Outer case cabinet
2- 3	66393	Bottom plate assy
2- 3-1	66394	Turntable motor cover
2- 4	66395	Foot
2- 5	66396	Back plate
2- 6	66397	Cord holder
2- 7	66398	Hv capacitor holder
2- 8	66399	Lower oven hinge
Δ 2- 9	66400	Latch hook
Δ 2-10	66401	Latch lever

Δ
Δ

CONTROL PANEL PARTS

3- 1	66402	Control unit
3- 2	66403S	Panel med assy
3- 2	66403B	Panel med assy
3- 2	66403R	Panel med assy
3- 2-1	66406	Key unit (Black)
3- 2-1	66407	Key unit (Arctic)
3- 2-2	66408	Open button (Black)
3- 2-2	66409	Open button (Arctic)
3- 2-3	66410	Open button spring
3- 2-4	66411S	C/p decoration

3-4 66044 Open Lever
3-5 66045 Open Shaft

REF NO.	PARTS CODE	DESCRIPTION
---------	------------	-------------

OVEN PARTS

A	4- 1	66463	Cavity sub assy
	4- 2	66464	Roller assy
	4- 3	66465	Turntable tray
	4- 4	66466	Bearing ass'y
	4- 5	66467	Thermal cover left
	4- 6	66468	Bearing mounting plate
	4- 7	66469	Heater element holder
	4- 8	66470	Bearing holder plate
	4- 9	66471	Convection fan
	4-10	66472	Pulley (f)
	4-11	66473	Heater duct
	4-11	66474	Air guide (a)
	4-11	66475	Air guide (b)
	4-11	66476	Air guide (c)
	4-12	66477	Thermal insulation l
	4-13	66478	Glass mount plate
	4-14	66479	Cushion
	4-15	66480	Cushion
	4-16	66481	Steam duct assy
	4-17	66482	Damper cam
	4-18	66483	Damper shaft
	4-19	66484	Cushion
	4-19	66485	Cushion
	4-19	66486	Damper
	4-20	66487	Damper duct
4-21	66488	Rubber cushion	
4-22	66489	Turntable coupling	
4-23	66490	Waveguide cover	
4-24	66491	Cushion	
4-25	66492	Light glass	
4-26	66493	Thermal insulation r	
4-27	66494	Thermal cover right	
4-28	66495	Divide plate low	
4-29	66496	Divide plate right	
4-30	66497	C motor mount angle	
4-31	66498	Pulley (m)	
4-32	66499	Fan blade	
4-33	66500	Cooling fan duct	
4-34	66501	Chassis support	
A	4-35	66502	Oven hinge (upper)
4-36	66503	Convection fan belt	
4-37	66504	Thermal protection sheet	
4-38	66505	Cushion	
4-39	66506	Cushion	
4-40	66507	Cushion	
4-41	66508	Mg rectifier plate	

REF NO.	PARTS CODE	DESCRIPTION
---------	------------	-------------

DOOR PARTS

Δ	5-	66509B	Door full assy
Δ	5-	66509B	Door full assy
Δ	5-	66509R	Door full assy
Δ	5- 1	66512	Door panel assy
	5- 2	66513	Door glass (Black, Stainless)
	5- 2	66514	Door glass (Arctic)
Δ	5- 3	66515	Choke cover
Δ	5- 4	66516	Door frame (Black, Stainless)
	5- 4	66517	Door frame (Arctic)
	5- 5	66518B	Door decoration (Black)
	5- 5	66518R	Door decoration (Arctic)
Δ	5- 5	66518S	Door decoration (Stainless)
Δ	5- 6	66521	Latch angle
	5- 7	66522	Latch head
	5- 8	66523	Spring
	5- 9	66524	Thermal plate u
	5-10	66525	Thermal plate r
	5-13	66526	Cushion

MISCELLANEOUS

	6- 1	66527	Low rack assy
	6- 2	66528	High rack assy
	6- 3	66529	Cook book
	6- 4	66530	Thermistor harness
	6- 5	66531	Main wire harness
*	6- 6	66532	Hv wire b
	6- 7	66533	Grounding wire
	6- 8	66534	Screw caution
	6- 9	66536	Dhhs caution label
	6-11	66537	Instruction book

SCREWS NUTS AND WASHERS

7-4	66423	Screw, 4mm x 8mm
7- 5	66536	Special screw
7-6	66424	Special Screw
7- 7	66539	Special washer
7- 8	66540	Special screw
7-9	66428	Screw; 3mm x 14mm
7-10	66429	Screw; 4mm x 25mm
7-11	66430	Screw; 4mm x 6mm
7-12	66431	Screw; 4mm x 8mm
7-13	66432	Screw; 4mm x 10mm
7-14	66433	Screw; 4mm x 6mm
7-15	66541	Washer
7-16	66435	Screw; 4mm x 8mm
7-17	66436	Screw; 3mm x 6mm

DCM24B
DCM24R
DCM24S

SCREWS NUTS AND WASHERS

7-4	66423	Screw, 4mm x 8mm
7- 5	66536	Special screw
7-6	66424	Special Screw
7- 7	66539	Special washer
7- 8	66540	Special screw
7-9	66428	Screw; 3mm x 14mm
7-10	66429	Screw; 4mm x 25mm
7-11	66430	Screw; 4mm x 6mm
7-12	66431	Screw; 4mm x 8mm
7-13	66432	Screw; 4mm x 10mm
7-14	66433	Screw; 4mm x 6mm
7-15	66541	Washer
7-16	66435	Screw; 4mm x 8mm
7-17	66436	Screw; 3mm x 6mm
7-18	66542	Special Screw
7-19	66437	Screw; 4mm x 8mm
7-20	66438	Screw; 4mm x 12mm
7-21	66439	Screw; 3mm x 6mm
7-22	66440	Screw; 4mm x 8mm
7-23	66441	Screw; 6mm x 14mm
7-24	66442	Screw; 4mm x 12mm
7-25	66443	Screw; 3mm x 8mm
7-26	66444	Nut; 4mm x 3.2mm
7-27	66445	Nut; 4mm x 3.2mm
7-28	66446	Washer; 4mm x 1mm