

The Dacor logo is written in a bold, italicized, sans-serif font. The letters are black and have a slight shadow effect. A registered trademark symbol (®) is located at the end of the word.

***dacor.***

Family-Owned. American-Made.

The background of the top half of the page is a faded, light-colored photograph of a kitchen. In the center, there is a stainless steel gas range with a white bowl on the cooktop. Below the cooktop is a built-in oven. To the left, there are various kitchen items on a countertop, including a bottle of oil and some produce. To the right, there is a wooden cabinet and a white dishwasher.

**PARTS  
CATALOG**

**PMOR Microwave**

Oven and Cabinet	Control Panel
Misc	Door
Parts	Updates



**dacor**<sup>®</sup>

1440 Bridge Gate Drive  
Diamond Bar CA 91765

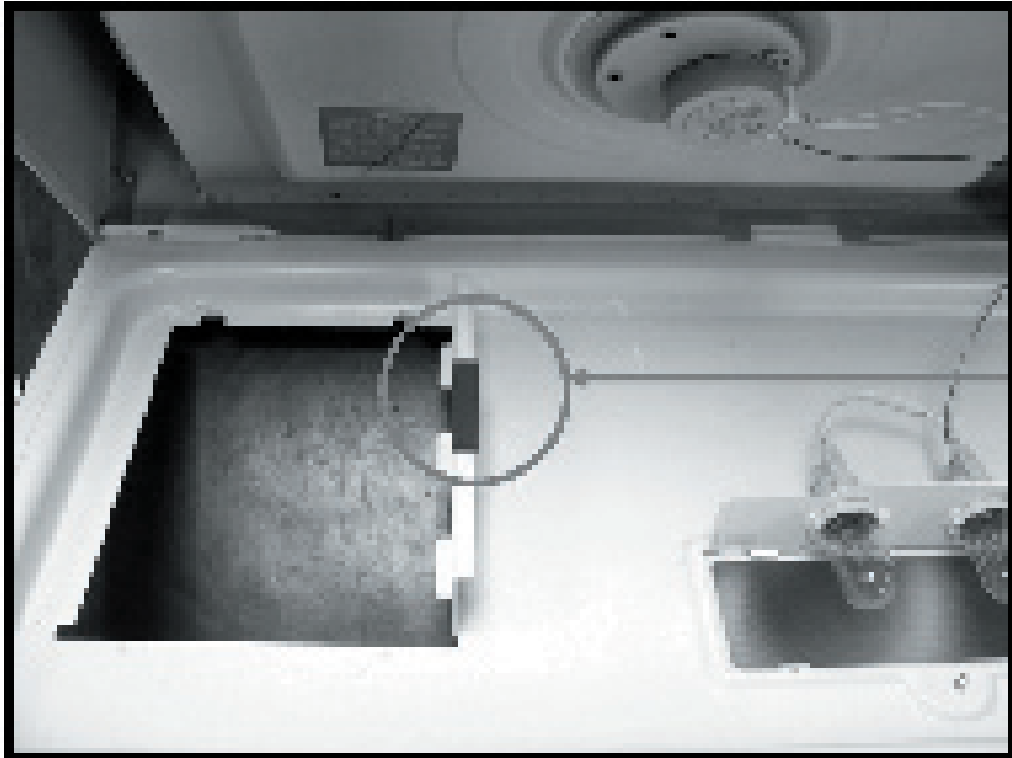
# Field Service Bulletin

Page 1 of 1

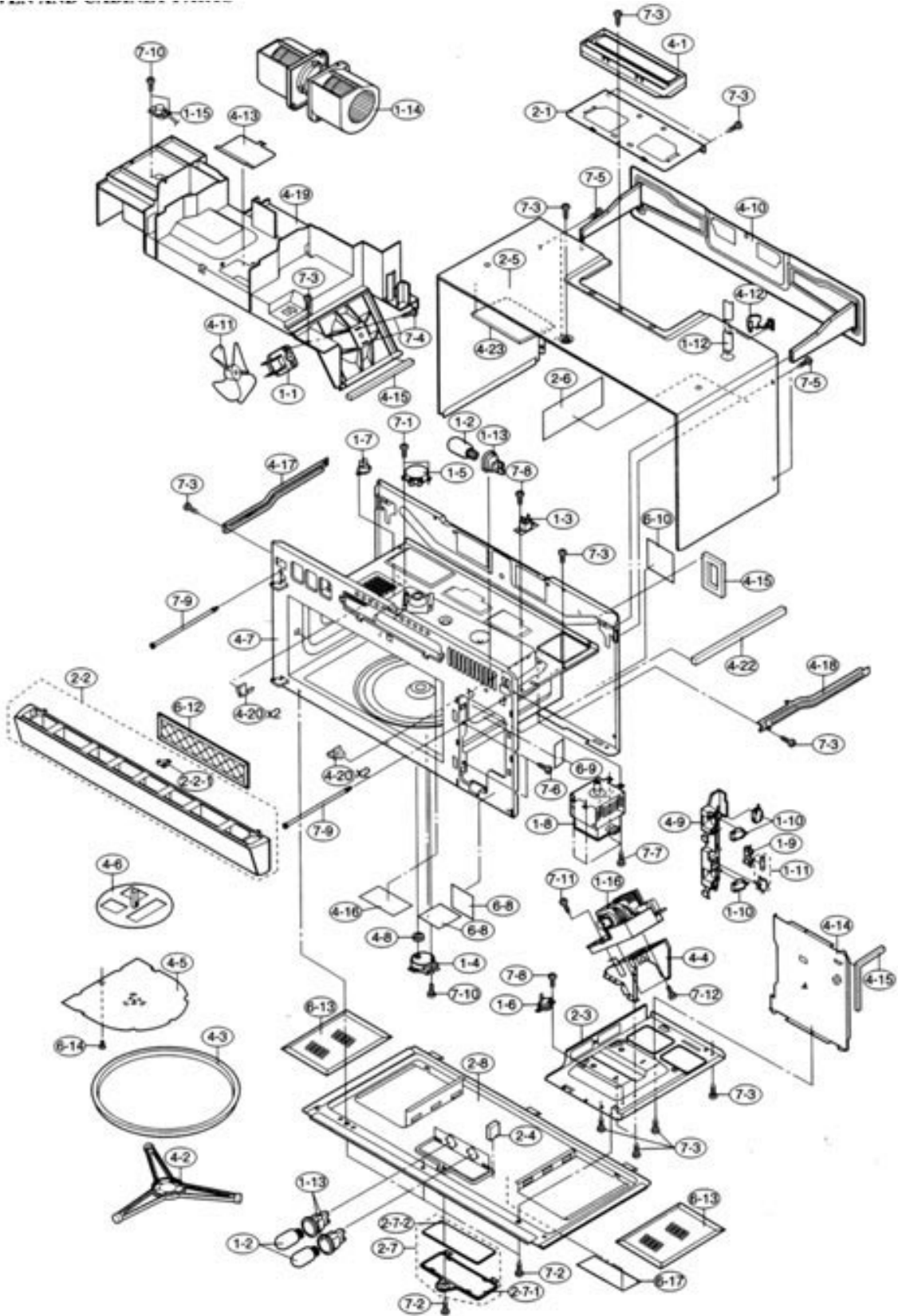
Issued By: <b>Technical Service</b>	Date Issued: <b>4-2004</b>	Distribution: <b>Service/Parts</b>	Supercedes:
Subject: <b>Service Assembly</b>	Product Type: <b>Microwave</b>	Model No: <b>PMOR30B,R,S</b>	Bulletin No: <b>04-05</b>

There have been reports of arcing in the cavity of PMOR over the counter microwaves. To address this situation, order service assembly **66032**. This service assembly consists of a cushion that is placed inside the base cover on the center of the flange. (pictured below)

This has proven to effectively correct the arcing situation.



# PMOR - OVEN AND CABINET



**dacor**

# PMOR OVEN AND CABINET PARTS

1-1 66247 FAN MOTOR  
1-2 66244 OVEN LAMP  
1-3 66234 TEMPERATURE FUSE 150 1/2c (MAGNETRON)  
1-4 66245 TURNTABLE MOTOR  
1-5 66246 STIRRER MOTOR  
1-6 66248 THERMAL CUT-OUT N.O 60 1/2c (HOOD FAN)  
1-7 66249 THERMAL CUT-OUT 145 1/2C (OVEN)  
1-8 66250 MAGNETRON  
1-9 66233 FUSE HOLDER  
1-10 66236 SECONDARY INTERLOCK/PRIMARY INTERLOCK/STOP SWITCHES  
1-11 66179 MONITOR SWITCH  
1-12 66171 POWER SUPPLY CORD  
1-13 66235 OVEN LAMP SOCKET  
1-14 66182 HOOD FAN MOTOR  
1-15 66177 AH SENSOR  
1-16 66169 INVERTER UNIT

2-1 66202 REAR STAY  
2-2 66176B HOOD EXHAUST LOUVER BLACK  
2-2 66176R HOOD EXHAUST LOUVER ARCTIC  
2-2 66176S HOOD EXHAUST LOUVER STAINLESS  
2-2-1 66195 LOUVER CLIP  
2-3 66191 RIGHT BASE PLATE  
2-4 66219 BASE COVER CUSHION  
2-5 66190B OUTER CASE CABINET (BLACK/STAINLESS)  
2-5 66190R OUTER CASE CABINET (ARCTIC)  
2-6 65188 SCHEMATIC DIAGRAM  
2-7 66172B HOOD LAMP GLASS ASSEMBLY (BLACK/STAINLESS)  
2-7 66172R HOOD LAMP GLASS ASSEMBLY (ARCTIC)  
2-7-1 66192B HOOD LAMP GLASS ANGLE (BLACK/STAINLESS)  
2-7-1 66192R HOOD LAMP GLASS ANGLE (ARCTIC)  
2-7-2 66228 HOOD LAMP GLASS  
2-8 66216B BASE COVER (BLACK/STAINLESS)  
2-8 66216R BASE COVER (ARCTIC)  
2-9 66607B, R, S DEFLECTOR

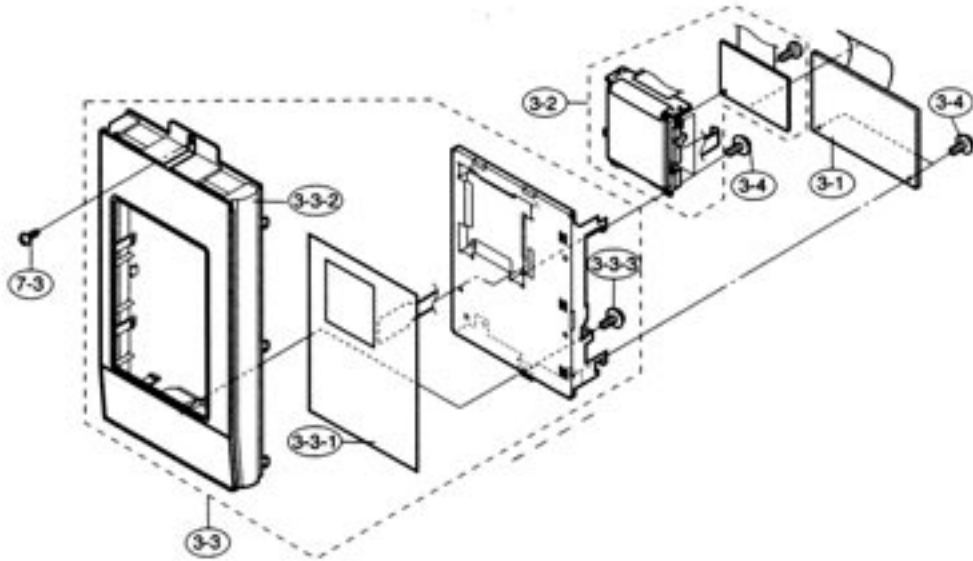
3-1 66168 POWER SUPPLY UNIT  
3-2 66170 LSI UNIT  
3-3 66183R C/P SUB ASSEMBLY (ARCTIC)  
3-3 66183S C/P SUB ASSEMBLY (STAINLESS)  
3-3 66183B C/P SUB ASSEMBLY (BLACK)  
3-3-1 66186R KEY UNIT (ARCTIC)  
3-3-1 66186B KEY UNIT (BLACK)  
3-3-1 66186S KEY UNIT (STAINLESS)  
3-3-2 NOT A REPLACEABLE PART CONTROL PANEL  
3-3-3 66263 SCREW; 3MM X 10MM

4-1	66180	EXHAUST DAMPER ASSEMBLY
4-2	66184	TURNTABLE SUPPORT ASSY
4-3	66213	TURNTABLE TRAY
4-4		INVERTER ANGLE
4-5	66175	STIRRER COVER ASSEMBLY
4-6	66178	STIRRER FAN ASSEMBLY
4-7	NOT A REPLACEABLE PART	OVEN CAVITY
4-8	66231	TTM PACKING
4-9	66230	LATCH HOOK
4-10	66627	LOUVER MTG ANGLE
4-11	66212	FAN BLADE
4-12	66195	CORD BUSHING
4-13	66215	LAMP COVER
4-14	66223	HD ITK DCT R
4-15	66218	HD ITK DUCT CUSH
4-16	66227	LAMP FILTER
4-17	66193	CHASSIS SUPPORT LEFT
4-18	66194	CHASSIS SUPPORT RIGHT
4-19	66222	HOOD DUCT
4-20	66198	RACK HOLDER
4-21	66200	DOOR STOPPER
4-22	66221	AIR FLOW CUSHION
4-23	66220	CABINET CUSHION
5	66166S	DOOR ASSEMBLY (STAINLESS)
5	66166R	DOOR ASSEMBLY (ARCTIC)
5	66166B	DOOR ASSEMBLY (BLACK)
5-1		DOOR PANEL ASSEMBLY
5-2		DOOR FRAME ASSEMBLY
5-2-1	66229	FRONT DOOR GLASS
5-2-2	66199	LATCH HEAD
5-2-3	66200	DOOR STOPPER
5-2-4	66211	LATCH SPRING
5-2-5	NOT A REPLACEABLE PART	DOOR FRAME
5-3	66174	CHOKE COVER ASSEMBLY
5-4	66232	SEALER FILM
5-5	66181B	DOOR HANDLE ASSEMBLY (BLACK, STAINLESS)
5-5	66181R	DOOR HANDLE ASSEMBLY (ARCTIC)
5-6	66261	TAPPING SCREW STEEL
5-7	66262	TAP SCREW
6-1	66167	INSTALLATION MATL ASSY
6-1-1	66197	GROMMET
6-1-2	66204	TOGGLE SCREW
6-1-3	66209	CORD HOLDER
6-1-4	66257	TOP CAB MTG SCREW
6-1-5	86904	COMMON SCREW AM
6-1-6	66267	WOOD SCREW
6-1-7	66268	WASHER
6-2	65185	OPR INST INSTRUCTIONS
6-3	65184	OPERATION MANUAL
6-4		TOP TEMPLATE
6-5		WALL TEMPLATE
6-6		HIGH VOLTAGE WIRE ASSEMBLY
6-7	66188	MAIN WIRE HARNESS A
6-8	N/A	
6-9	N/A	
6-10	N/A	
6-11	66189	LOW VOLTAGE HARNESS
6-12	66226	CHARCOAL FILTER
6-13	66225	GREASE FILTER
6-14	66214	CANOE CLIP
6-15	66254	RACK
6-16	66237	SENSOR GROUND WIRE
6-17	N/A	
6-18		INVERTER WIRE ASSY
6-19	66187	PWM WIRE ASSY

7-1	66261	TAPPING SCREW STEEL
7-2	66266	BLACK TAPPING SCREW
7-3	66266	BLACK TAPPING SCREW
7-4	66258	M4-8 MACHINE SCREW
7-5	66208	TAPPING (4) CAB GND
7-6	66207	SCREW WITH WASHER
7-7	66203	SCREW
7-8	66259	SCREW
7-9	66206	SPECIAL SCREW
7-10	66259	SCREW
7-11		SCREW 4MM X 8MM
7-12		SCREW 4MM X 12MM

# PMOR - CONTROL PANEL

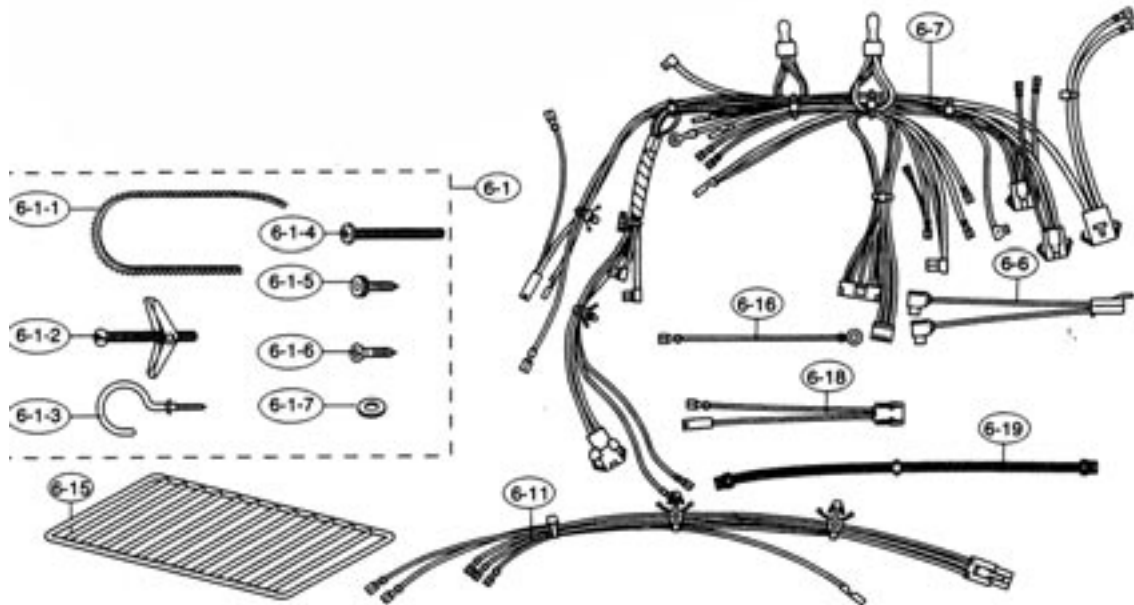
## CONTROL PANEL PARTS



3-1	66168	POWER SUPPLY UNIT
3-2	66170	LSI UNIT
3-3	66183B,R,S	C/P SUB ASSEMBLY
3-3-1	66186B, R, S	KEY UNIT
3-3-2	NOT A REPLACEABLE PART	
3-3-3	66263	SCREW; 3MM X 10MM

# PMOR - MISC

MISCELLANEOUS

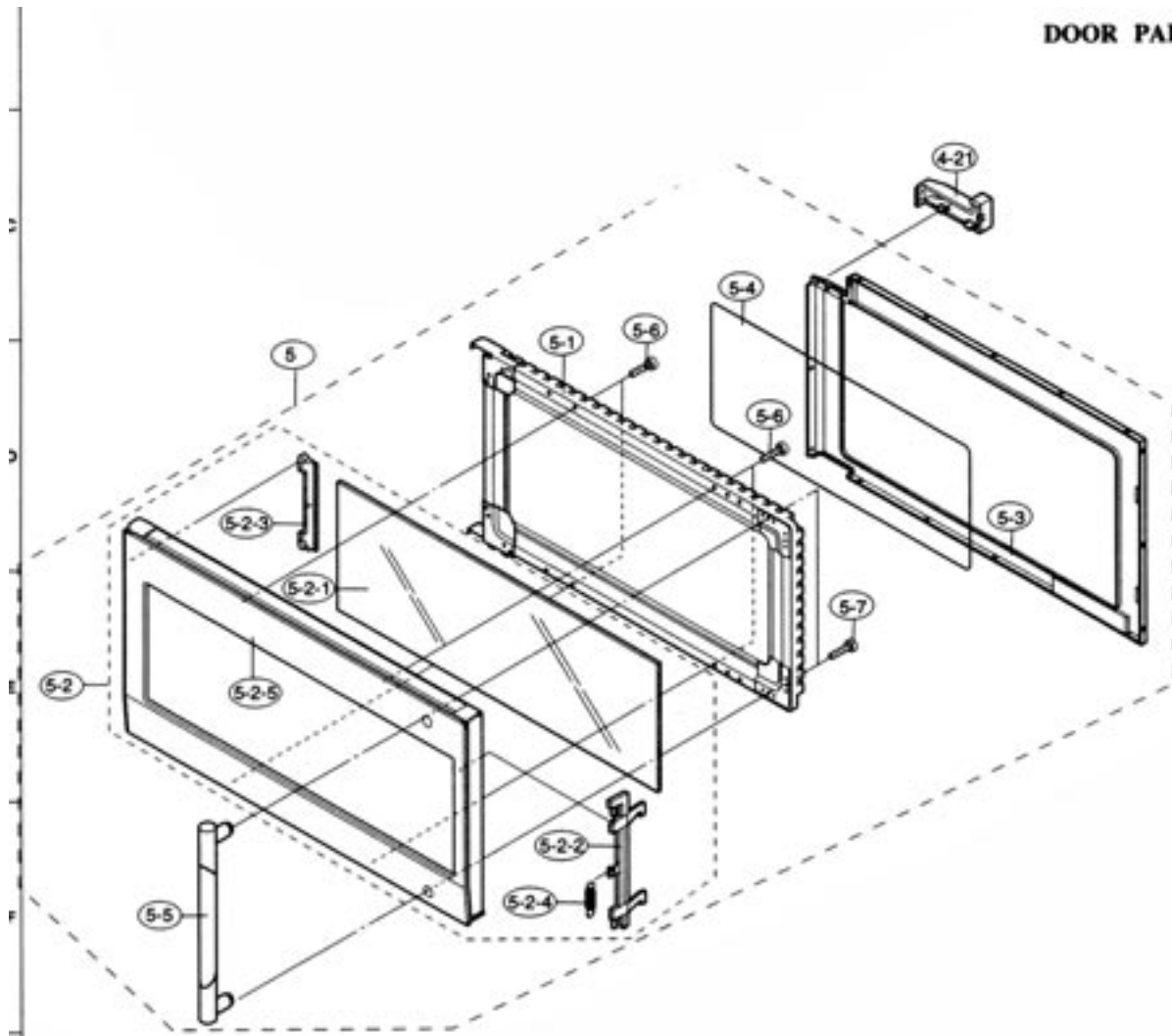


6-1	66167	INSTALLATION MATL ASSY
6-1-1	66197	GROMMET
6-1-2	66204	TOGGLE SCREW
6-1-3	66209	CORD HOLDER
6-1-4	66257	TOP CAB MTG SCREW
6-1-5	86904	COMMON SCREW AM
6-1-6	66267	WOOD SCREW
6-1-7	66268	WASHER
6-6	66309	HI VOLTAGE WIRE ASSY
6-7	66188	MAIN WIRE HARNESS A
6-11	66189	LOW VOLTAGE HARNESS
6-15	66254	RACK
6-16	66237	SENSOR GROUND WIRE
6-18	66310	INVERTER WIRE ASSY
6-19	66187	PWM WIRE ASSY



# PMOR - DOOR

## DOOR PARTS



5	66166B, R, S	DOOR ASSEMBLY
5-1	66305	DOOR PANEL ASSEMBLY
5-2	66306	DOOR FRAME ASSEMBLY
5-2-1	66229	FRONT DOOR GLASS
5-2-2	66199	LATCH HEAD
5-2-3	66200	DOOR STOPPER
5-3	66174	CHOKE COVER ASSEMBLY
5-4	66232	SEALER FILM
5-5	66181B,R	DOOR HANDLE ASSEMBLY
5-6	66261	TAPPING SCREW STEEL
5-7	66262	TAP SCREW