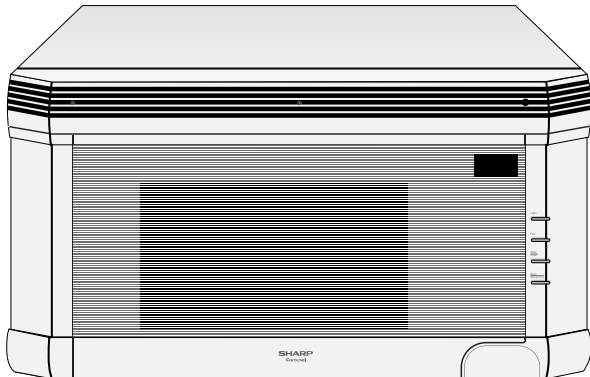


# SHARP

## SUPPLEMENTAL SERVICE MANUAL

S12M181R1502E



Model R-1502

### OVER THE RANGE MICROWAVE OVEN

## MODELS R-1502

This is a supplemental Service Manual for Model R-1502.  
 This model is quite similar to Base Model R-1500 (S/M# S8118R1500X//).  
 Use this supplemental manual together with the Base Model Service Manual for complete operation and service information

In the interest of user-safety the oven should be restored to its original condition and only parts identical to those specified should be used.

**WARNING TO SERVICE PERSONNEL:** Microwave ovens contain circuitry capable of producing very high voltage and current, contact with following parts may result in a severe, possibly fatal, electrical shock. (High Voltage Capacitor, High Voltage Power Transformer, Magnetron, High Voltage Rectifier Assembly, High Voltage Harness etc..)

#### TABLE OF CONTENTS

	Page
PRECAUTIONS TO BE OBSERVED BEFORE AND DURING SERVICING TO AVOID POSSIBLE EXPOSURE TO EXCESSIVE MICROWAVE ENERGY .....	INSIDE FRONT COVER
BEFORE SERVICING .....	INSIDE FRONT COVER
WARNING TO SERVICE PERSONNEL .....	1
MICROWAVE MEASUREMENT PROCEDURE .....	2
FOREWORD AND WARNING .....	3
PRODUCT SPECIFICATIONS .....	4
GENERAL INFORMATION .....	4
PARTS LIST .....	7
PACKING AND ACCESSORIES .....	9

**SHARP ELECTRONICS CORPORATION**

This document has been published to be used for after sales service only.

The contents are subject to change without notice.

Service Headquarters: Sharp Plaza, Mahwah, New Jersey, 07430-2135

## **PRECAUTIONS TO BE OBSERVED BEFORE AND DURING SERVICING TO AVOID POSSIBLE EXPOSURE TO EXCESSIVE MICROWAVE ENERGY**

- (a) Do not operate or allow the oven to be operated with the door open.
- (b) Make the following safety checks on all ovens to be serviced before activating the magnetron or other microwave source, and make repairs as necessary: (1) interlock operation (2) proper door closing, (3) seal and sealing surfaces (arcing, wear, and other damage), (4) damage to or loosening of hinges and latches, (5) evidence of dropping or abuse.
- (c) Before turning on microwave power for any service test or inspection within the microwave generating compartments, check the magnetron, wave guide or transmission line, and cavity for proper alignment, integrity, and connections.
- (d) Any defective or misadjusted components in the interlock, monitor, door seal, and microwave generation and transmission systems shall be repaired, replaced, or adjusted by procedures described in this manual before the oven is released to the owner.
- (e) A microwave leakage check to verify compliance with the Federal Performance Standard should be performed on each oven prior to release to the owner.

## **BEFORE SERVICING**

Before servicing an operative unit, perform a microwave emission check as per the Microwave Measurement Procedure outlined in this service manual.

If microwave emissions level is in excess of the specified limit, contact SHARP ELECTRONICS CORPORATION immediately @1-800-237-4277.

If the unit operates with the door open, service person should 1) tell the user not to operate the oven and 2) contact SHARP ELECTRONICS CORPORATION and Food and Drug Administration's Center for Devices and Radiological Health immediately.

Service personnel should inform SHARP ELECTRONICS CORPORATION of any certified unit found with emissions in excess of  $4\text{mW}/\text{cm}^2$ . The owner of the unit should be instructed not to use the unit until the oven has been brought into compliance.

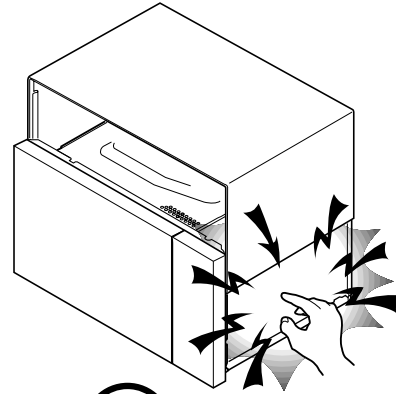
## WARNING TO SERVICE PERSONNEL

Microwave ovens contain circuitry capable of producing very high voltage and current, contact with following parts may result in a severe, possibly fatal, electrical shock.

(Example)

High Voltage Capacitor, High Voltage Power Transformer, Magnetron, High Voltage Rectifier Assembly, High Voltage Harness etc..

Read the Service Manual carefully and follow all instructions.



**Don't Touch !  
Danger High Voltage**

### Before Servicing



1. Disconnect the power supply cord , and then remove outer case.
2. Open the door and block it open.
3. Discharge high voltage capacitor.

#### **WARNING: RISK OF ELECTRIC SHOCK. DISCHARGE THE HIGH-VOLTAGE CAPACITOR BEFORE SERVICING.**

The high-voltage capacitor remains charged about 60 seconds after the oven has been switched off. Wait for 60 seconds and then short-circuit the connection of the high-voltage capacitor (that is the connecting lead of the high-voltage rectifier) against the chassis with the use of an insulated screwdriver.

Whenever troubleshooting is performed the power supply must be disconnected. It may, in some cases, be necessary to connect the power supply after the outer case has been removed, in this event,

1. Disconnect the power supply cord, and then remove outer case.
2. Open the door and block it open.
3. Discharge high voltage capacitor.
4. Disconnect the leads to the primary of the power transformer.
5. Ensure that these leads remain isolated from other components and oven chassis by using insulation tape.
6. After that procedure, reconnect the power supply cord.

### When the testing is completed,

1. Disconnect the power supply cord, and then remove outer case.
2. Open the door and block it open.
3. Discharge high voltage capacitor.
4. Reconnect the leads to the primary of the power transformer.
5. Reinstall the outer case (cabinet).
6. Reconnect the power supply cord after the outer case is installed.
7. Run the oven and check all functions.

### After repairing

1. Reconnect all leads removed from components during testing.
2. Reinstall the outer case (cabinet).
3. Reconnect the power supply cord after the outer case is installed.
4. Run the oven and check all functions.

Microwave ovens should not be run empty. To test for the presence of microwave energy within a cavity, place a cup of cold water on the oven turntable, close the door and set the power to HIGH and set the microwave timer for two (2) minutes. When the two minutes has elapsed (timer at zero) carefully check that the water is now hot. If the water remains cold carry out **Before Servicing** procedure and re-examine the connections to the component being tested.

When all service work is completed and the oven is fully assembled, the microwave power output should be checked and microwave leakage test should be carried out.

## MICROWAVE MEASUREMENT PROCEDURE

### A. Requirements:

- 1) Microwave leakage limit (Power density limit): The power density of microwave radiation emitted by a microwave oven should not exceed  $1\text{mW}/\text{cm}^2$  at any point 5cm or more from the external surface of the oven, measured prior to acquisition by a purchaser, and thereafter (through the useful life of the oven),  $5\text{mW}/\text{cm}^2$  at any point 5cm or more from the external surface of the oven.
- 2) Safety interlock switches: Primary interlock relay and door sensing switch shall prevent microwave radiation emission in excess of the requirement as above mentioned, secondary interlock switch shall prevent microwave radiation emission in excess of  $5\text{mW}/\text{cm}^2$  at any point 5cm or more from the external surface of the oven.

### B. Preparation for testing:

**Before beginning the actual measurement of leakage, proceed as follows:**

- 1) Make sure that the actual instrument is operating normally as specified in its instruction booklet.

Important:

Survey instruments that comply with the requirement for instrumentation as prescribed by the performance standard for microwave ovens, 21 CFR 1030.10(c)(3)(i), must be used for testing.

- 2) Place the oven tray in the oven cavity.
- 3) Place the load of  $275\pm 15$  ml (9.8 oz) of tap water initially at  $20\pm 5\text{C}$  (68F) in the center of the oven cavity. The water container shall be a low form of 600 ml (20 oz) beaker with an inside diameter of approx. 8.5 cm (3-1/2 in.) and made of an electrically nonconductive material such as glass or plastic. The placing of this standard load in the oven is important not only to protect the oven, but also to insure that any leakage is measured accurately.
- 4) Set the cooking control on Full Power Cooking Mode.
- 5) Close the door and select a cook cycle of several minutes. If the water begins to boil before the survey is completed, replace it with 275 ml of cool water.

### C. Leakage test:

Closed-door leakage test (microwave measurement)

- 1) Grasp the probe of the survey instrument and hold it perpendicular to the gap between the door and the body of the oven.
- 2) Move the probe slowly, not faster than 1 in./sec. (2.5 cm/sec.) along the gap, watching for the maximum indication on the meter.
- 3) Check for leakage at the door screen, sheet metal seams and other accessible positions where the continuity of the metal has been breached (eg., around the switches, indicator, and vents). While testing for leakage around the door pull the door away from the front of the oven as far as is permitted by the closed latch assembly.
- 4) Measure carefully at the point of highest leakage and make sure that the highest leakage is no greater than  $4\text{mW}/\text{cm}^2$ , and that the secondary interlock switch does turn the oven OFF before any door movement.

NOTE: After servicing, record data on service invoice and microwave leakage report.

# SHARP

## SUPPLEMENTAL SERVICE MANUAL

MICROWAVE OVEN

R-1502

### FOREWORD

This Manual has been prepared to provide Sharp Electronics Corp. Service Personnel with Operation and Service Information for the SHARP MICROWAVE OVEN, R-1502.

The model R-1502 is quite similar to base model R-1500(Ref.# S8123R1500X//)

It is recommended that service personnel carefully study the entire text of this manual and the base model's manual so that they will be qualified to render satisfactory customer service.

Check the interlock switches and the door seal carefully. Special attention should be given to avoid electrical shock and microwave radiation hazard.

#### WARNING

Never operate the oven until the following points are ensured:

- (A) The door is tightly closed.
- (B) The door brackets and hinges are not defective.
- (C) The door packing is not damaged.
- (D) The door is not deformed or warped.
- (E) There is no other visible damage with the oven.

Servicing and repair work must be carried out only by trained service personnel.

#### DANGER

**Certain initial parts are intentionally not grounded and present a risk of electrical shock only during servicing. Service personnel - Do not contact the following parts while the appliance is energized;**

**High Voltage Capacitor, Power Transformer, Magnetron, High Voltage Rectifier Assembly, High Voltage Harness;  
If provided, Vent Hood, Fan assembly, Cooling Fan Motor.**

All the parts marked “\*” on parts list are used at voltages more than 250V.

Removal of the outer wrap gives access to voltage above 250V.

PRODUCT DESCRIPTION

GENERAL INFORMATION

PARTS LIST

SHARPELECTRONICSCORPORATION

SHARP PLAZA, MAHWAH,  
NEW JERSEY 07430-2135

## PRODUCT SPECIFICATION

ITEM	DESCRIPTION
Power Requirements	120 Volts / 14 Amperes 60 Hertz Single phase, 3 wire grounded
Power Output	1000 watts (IEC TEST PROCEDURE) Operating frequency of 2450MHz
Case Dimensions	Width 29-15/16" Height 16-1/4" Depth 15- 9/16"
Cooking Cavity Dimensions 1.5 Cubic Feet	Width 17-1/2" Height 9-7/8" Depth 14-15/16"
Hood lamp	2 bulbs, 20W x 2, Incandescent light bulbs
Hood fan	Approx. 300 C.F.M.
Control Complement	Touch Control System Clock ( 1:00 - 12:59 ) Timer (0 - 99 min. 99 seconds) Microwave Power for Variable Cooking Repetition Rate; P-HI ..... Full power throughout the cooking time P-90 ..... approx. 90% of Full Power P-80 ..... approx. 80% of Full Power P-70 ..... approx. 70% of Full Power P-60 ..... approx. 60% of Full Power P-50 ..... approx. 50% of Full Power P-40 ..... approx. 40% of Full Power P-30 ..... approx. 30% of Full Power P-20 ..... approx. 20% of Full Power P-10 ..... approx. 10% of Full Power P-0 ..... No power throughout the cooking time  KEEP WARM pad, POPCORN pad, HOT WATER pad REHEAT CENTER pads, COOK CENTER pads DEFROST CENTER pads, Number selection pads POWER LEVEL pad, TIMER / CLOCK pad LIGHT HI / LO button, FAN HI / LO button, STOP/CLEAR button, START/ MINUTE PLUS button,
Oven Cavity Light	20W x 1 Incandescent light bulb
Safety Standard	UL Listed                      FCC Authorized DHHS Rules, CFR, Title 21, Chapter 1, Subchapter J
Weight	Approx. 55 lbs.

## GENERAL INFORMATION

### GROUNDING INSTRUCTIONS

This oven is equipped with a three prong grounding plug. It must be plugged into a wall receptacle that is properly installed and grounded in accordance with the National Electrical Code and local codes and ordinances.

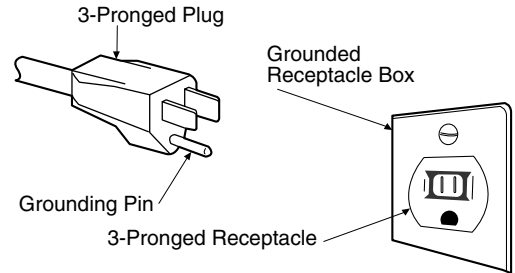
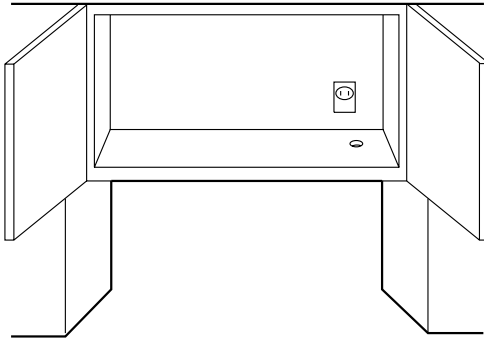
In the event of an electrical short circuit, grounding reduces the risk of electric shock by providing an escape wire for the electric current.

**WARNING:**        **Improper use of the grounding plug can result in a risk of electric shock.**

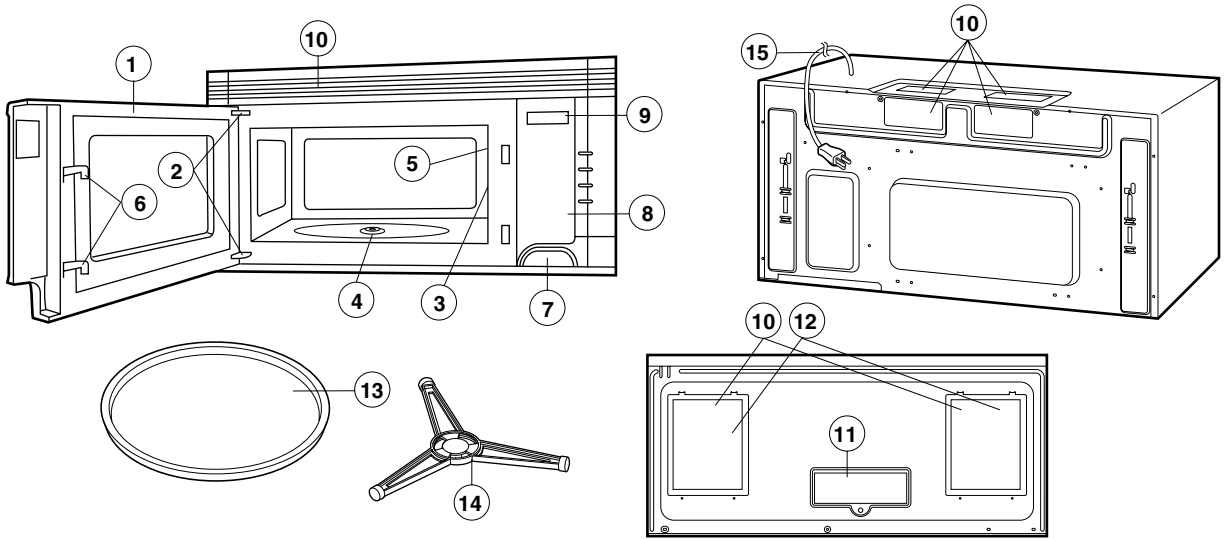
**Electrical Requirements**

The oven is equipped with a 3-prong grounding plug. **DO NOT UNDER ANY CIRCUMSTANCES CUT OR REMOVE THE GROUNDING PIN FROM THE PLUG.**

The power supply cord and plug must be connected to a separate 120 Volt AC, 60 Hz, 15 Amp. or more dedicated line, using a grounded receptacle. The receptacle should be located inside the cabinet directly above the Microwave Oven/Hood system mounting location.



**OVEN DIAGRAM**



- 1. Oven door with see-through window.
- 2. Door hinges.
- 3. Waveguide cover.
- 4. Turntable motor shaft.
- 5. Oven lamp.  
It will light when oven is operating or door is open.
- 6. Door latches.  
The oven will not operate unless the door is securely closed.
- 7. One touch door open button.
- 8. Auto Touch control panel
- 9. Time display: Digital display, 99 minutes 99 seconds.

- 10. Ventilation openings.
- 11. Light Cover.
- 12. Grease filters.
- 13. Removable turntable.  
The turntable will rotate clockwise or counterclockwise.  
Only remove for cleaning.
- 14. Removable turntable support.
- 15. Power supply cord

1 0 0 0 W A T T S

12 : 30

NO. LBS. CUPS OZ.

COOK DEFROST

KEEP  
WARM

POPCORN

HOT  
WATER

**REHEAT CENTER**

1 Casserole	5 Dinner Plate
2 Soup	6 Fresh Rolls / Muffins
3 Pizza	7 Frozen Rolls / Muffins
4 Beverage	8 Canned Vegetables

**COOK CENTER**

BAKED POTATOES	RICE
FROZEN VEGETABLES	FRESH VEGETABLES
GROUND MEAT	FROZEN ENTREES

**DEFROST CENTER**

GROUND MEAT	STEAKS/ CHOPS
POULTRY BONELESS	POULTRY BONE-IN

1

2

3

4

5

6

7

8


9

POWER  
LEVEL


0

TIMER  
CLOCK


**LIGHT HI/ LO**




**FAN HI/ LO**



**STOP  
CLEAR**



**START  
MINUTE PLUS**



NOTE: Some one-touch cooking features such as "MINUTE PLUS" are disabled after three minutes when the oven is not used. These features are automatically enabled when the door is opened and closed or STOP/CLEAR button is pressed.



## PARTS LIST

Note: The parts marked "Δ" may cause undue microwave exposure.

The parts marked "\*" are used in voltage more than 250V.

"§" MARK: PARTS DELIVERY SECTION

REF. NO.	PART NO.	§	DESCRIPTION	Q'TY	CODE
<b>ELECTRIC PARTS</b>					
* 1- 1	FH-DZB016MRY0	M	High voltage rectifier assembly	1	AH
* 1- 2	RC-QZA234WRE0	M	High voltage capacitor	1	AP
1- 3	QFS-TA013WRE0	M	Temperature fuse 150% $\text{C}$ (Magnetron)	1	AE
1- 4	RMOTDA211WRE0	M	Turntable motor	1	AL
1- 5	RTHM-A070WRE0	M	Thermal cut-out 145% $\text{C}$ (Cavity)	1	AF
1- 6	RTHM-0044MRE0	M	Thermal cut-out N.O. 60% $\text{C}$ (Hood Fan)	1	AH
* 1- 7	RTRN-B068MRE0	M	Power transformer	1	BC
Δ* 1- 8	RV-MZA288WRE0	M	Magnetron	1	BK
1- 9	QFSHDB003MRE0	M	Fuse holder	1	AD
1-10	QSW-MA085WRE0	M	Primary interlock and door sensing switches	2	AE
1-11	FFS-BA016/KIT	M	Monitor switch (V-16G-2C25) with fuse (20A) assembly	1	AF
1-12	FACCDB011MRE0	M	Power supply cord	1	AQ
1-13	QSOCLB006MRE0	M	Oven lamp socket	3	AE
1-14	FMOTEA441WRKZ	M	Hood fan motor	1	BC
1-15	RMOTEB031MRE0	M	Fan motor	1	AR
1-16	RLMPTA068WRE0	M	Oven lamp	3	AE

### CABINET PARTS

2- 1	LSTY-B024MRP0	M	Rear stay	1	AE
2- 2	PDIF-B034MRF0	M	Hood exhaust louver	1	AQ
2- 3	GDAI-B065MRP0A	M	Base plate R	1	AG
2- 4	HDECQB035MRF0A	M	Front panel L	1	AL
2- 5	GCABUB110MRP0	M	Outer case cabinet	1	AZ
2- 6	TMAPCB067MRRO	M	Schematic diagram	1	AB
2- 7	FANGKB013MRY0	M	Hood lamp glass assembly	1	AK
2-7-1	LANGQB049MRP0	M	Hood lamp glass angle	1	AG
2-7-2	PGLSPB004MRE0	M	Hood lamp glass	1	AH
2- 8	PCOVPB102MRT0	M	Base cover	1	AQ

### CONTROL PANEL PARTS

3- 1	CPWFBF060MRU0	M	Control unit	1	BF
3- 1A	QCNCMA017JDZZ	M	3-pin connector CN-A	1	AA
3- 1B	QCNCMA448DRE0	M	5-pin connector CN-B	1	AA
3- 1C	QCNCMA275DRE0	J	2-pin connector CN-E	1	AB
3- 1D	FW-VZB189MRE0	M	Lead wire harness CN-C	1	AB
C1	RC-KZA087DRE0	J	Capacitor 0.1 $\mu\text{F}$ 50V	1	AB
C2	VCEAB31VW108M	J	Capacitor 1000 $\mu\text{F}$ 35V	1	AF
C21	VCEAB31VW106M	J	Capacitor 10 $\mu\text{F}$ 35V	1	AB
C100	RC-QZB014MRE0	M	Capacitor 7 $\mu\text{F}$ 230V	1	AK
D1-4	RH-DZA006PRE0	J	Diode (1N4002)	4	AD
D20-26	VHD1SS270A/-1	J	Diode (1SS270A)	7	AA
D40	VHD1SS270A/-1	J	Diode (1SS270A)	1	AA
Q21	VSKRC243M// -3	J	Transistor (KRC243M)	1	AB
R1-2	VRS-B13AA751J	J	Resistor 750 ohm 1W	2	AB
R30	VRD-B12EF332J	J	Resistor 3.3k ohm 1/4W	1	AA
RY1-2	RRLY-A113DRE0	M	Relay (DU24D1-1PR(M))	2	AG
RY3	RRLY-A123DRZZ	M	Relay (G5S-1 24V)	1	AG
RY4-6	RRLY-B004MRE0	M	Relay (FTR-F3AA024E)	3	AG
SP1	RALM-A014DRE0	J	Buzzer (PKM22EPT)	1	AG
T1	RTRNPB017MRE0	M	Transformer	1	BG
VRS1	RH-VZA032DRE0	J	Varistor (10G471K)	1	AE
3- 2	FPNLCB401MRK0	M	Control panel sub. assembly	1	AZ
3- 2-1	FUNTKB345MRE0	M	Key unit	1	AQ
3- 2-2	JBTN-B125MRF0	M	Open button	1	AE
3- 2-3	JBTN-B126MRF0	M	Select button	1	AC
3- 2-4	MSPRTA050WRE0	M	Button spring	1	AA
3- 3	LHLD-B018MRF0	M	LCD holder	1	AC
3- 4	PSHEPB023MRE0	M	LED sheet	1	AR
3- 5	XEPSD30P10XS0	M	Screw; 3mm x 10mm	5	AB

### OVEN PARTS

4- 1	LSTPPB038MRF0	M	Door stopper	1	AB
4- 2	FROLPB025MRK0	M	Turntable support assembly	1	AN
4- 3	NTNT-A095WRE0	M	Turntable tray	1	AN
4- 4	LBNDKB009MRP0	M	Capacitor holder	1	AB
4- 5	PDUC-B111MRF0	M	Magnetron duct	1	AF

REF. NO.	PART NO.	§	DESCRIPTION	Q'TY	CODE
4- 6	MLEVVPB016MRF0	M	Open lever	1	AD
4- 7	*****	M	Oven cavity (Not replaceable part)	1	--
4- 8	PPACGB014MRF0	M	Turntable motor packing	1	AA
4- 9	PHOK-B018MRF0	M	Latch hook	1	AF
4-10	FANGTB005MRY0	M	Unit mounting plate assembly	1	AS
4-11	NFANPB006MRE0	M	Fan blade	1	AC
4-12	LBSHC0037WRE0	M	Cord bushing	1	AB
4-13	MLEVFB007MRP0	M	Mounting lever	2	AC
4-14	PDUC-B112MRP0	M	Hood intake duct R	1	AG
4-15	PCOVVPB085MRP0	M	Waveguide cover	1	AH
4-16	MSPRTA046WRE0	M	Latch spring	2	AB
4-17	LANGTB055MRP0	M	Chassis support	2	AD
4-18	PDUC-B115MRF0	M	Hood duct R	1	AQ
4-19	PDUC-B114MRF0	M	Hood duct L	1	AQ
4-20	PDUC-B113MRP0	M	Fan duct	1	AH
4-21	PDUC-B117MRF0	M	Orifice	1	AC
4-22	PCUSGB043MRP0	M	Transformer cushion	1	AC

## DOOR PARTS

5	CDORFB304MRK0	M	Door assembly	1	BD
5- 1	FDORFB070MRT0	M	Door panel assembly	1	AW
5- 2	FCOV-B209MRK0	M	Door frame assembly	1	AY
5-2-1	LSTPPB021MRF0	M	Latch head	1	AD
5-2-2	MSPRTA046WRE0	M	Latch spring	1	AB
5-2-3	LSTPPB037MRF0	M	Glass stopper	2	AC
5- 3	GCOVHB044MRF0	M	Choke cover	1	AG
5- 4	PSHEPB021MRE0	M	Sealer film	1	AE
5- 5	XCPSD40P08000	M	Screw : 4mm x 8mm	2	AA

## MISCELLANEOUS

6- 1	CFZK-B460MRK0	M	Installation material assembly	1	AH
6-1-1	LBSHC0040MRE0	M	Grommet	1	AC
6-1-2	LX-BZ0195WRE0	M	Toggle screw	4	AC
6-1-3	LX-MZB001MRE0	M	Cord holder	1	AB
6-1-4	XBRSD50P60000	M	Screw : 5mm x 60mm	2	AA
6-1-5	XOTSD40P12000	M	Screw : 4mm x 12mm	3	AA
6-1-6	XTSSD50P35000	M	Screw : 5mm x 35mm	6	AA
6-1-7	XWHS50-16300	M	Washer	2	AA
6-1-8	LANG-B002MRP0	M	Scale plate	2	AD
6- 2	TINSKB081MRR0	M	Top/wall template	1	AD
6- 3	TINSEB296MRK0	M	Operation manual/Installation instructions	1	AD
6- 4	QW-QZB025MRE0	M	High voltage wire A	1	AT
6- 5	FW-VZB187MRE0	M	Main harness	1	AT
6- 6	TCAUAB041MRR0	M	DHHS service caution label	2	AA
6- 7	TCAUAB037MRR0	M	Monitor caution label	1	AA
6- 8	TCAUAB005MRR0	M	Revised DHHS/GRD C/label	1	AB
6- 9	FW-VZB188MRE0	M	Low voltage harness	1	AT
6-10	PFIL-B006MRE0	M	Charcoal filter	1	AE
6-11	PFIL-B002MRE0	M	Grease filter	2	AF
6-12	FFTA-B005MRK0	M	Exhaust damper assembly	1	AH

## SCREWS,NUTS AND WASHERS

7- 1	LX-CZB016MRE0	M	Special screw	3	AA
7- 2	XOTSD40P12000	M	Screw : 4mm x 12mm	4	AA
7- 3	XOTSD40P12000	M	Screw : 4mm x 12mm	18	AA
7- 4	XHTSD40P08RV0	M	Screw : 4mm x 8mm	2	AA
7- 5	LX-CZA038WRE0	M	Special screw	6	AA
7- 6	LX-CZ0052WRE0	M	Special screw	2	AA
7- 7	LX-BZA041WRE0	M	Screw : 4mm x 8mm	4	AA
7- 8	XCPSD30P08000	M	Screw : 4mm x 8mm	2	AA
7- 9	LX-BZA041WRE0	M	Special screw	1	AA
7-10	XCBSD30P08000	M	Screw : 3mm x 8mm	1	AA

## HOW TO ORDER REPLACEMENT PARTS

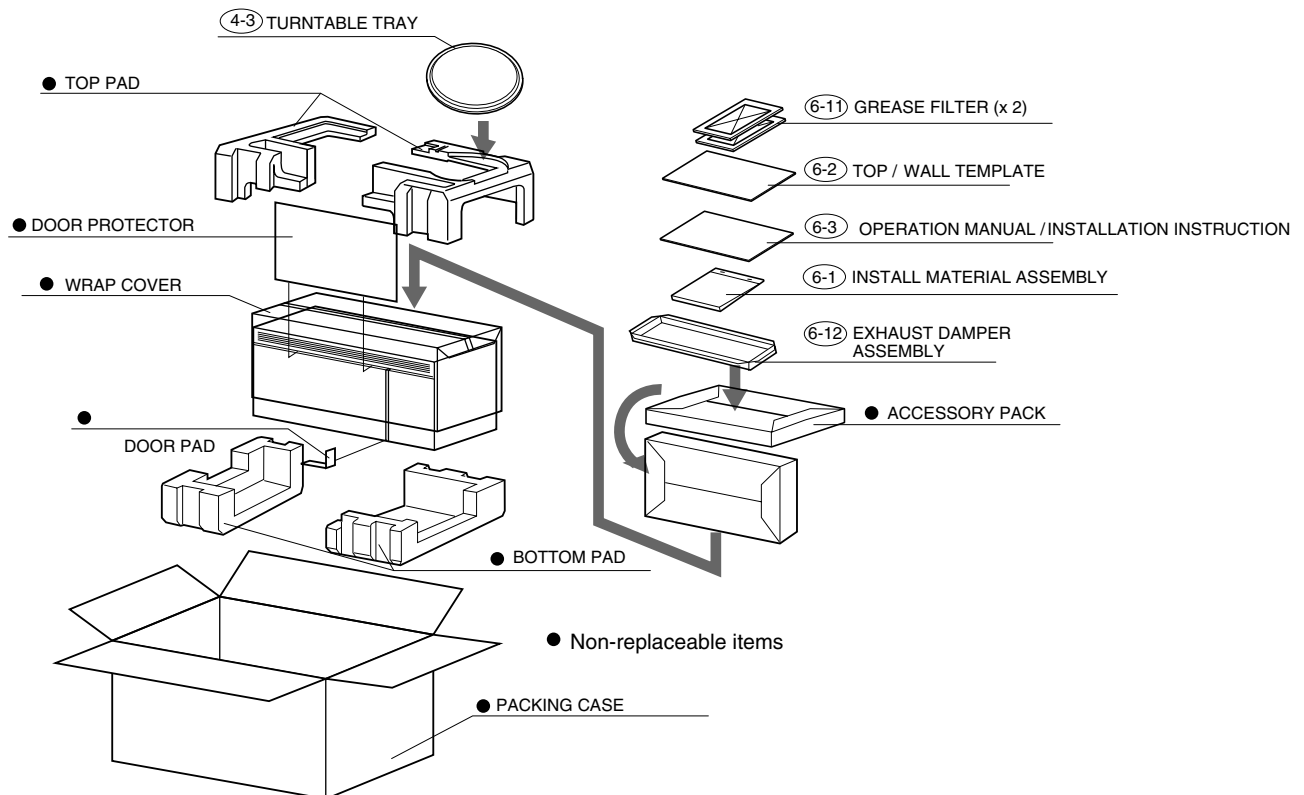
To have your order filled promptly and correctly, please furnish the following information.

1. MODEL NUMBER      2. REF. NO.      3. PART NO.      4. DESCRIPTION

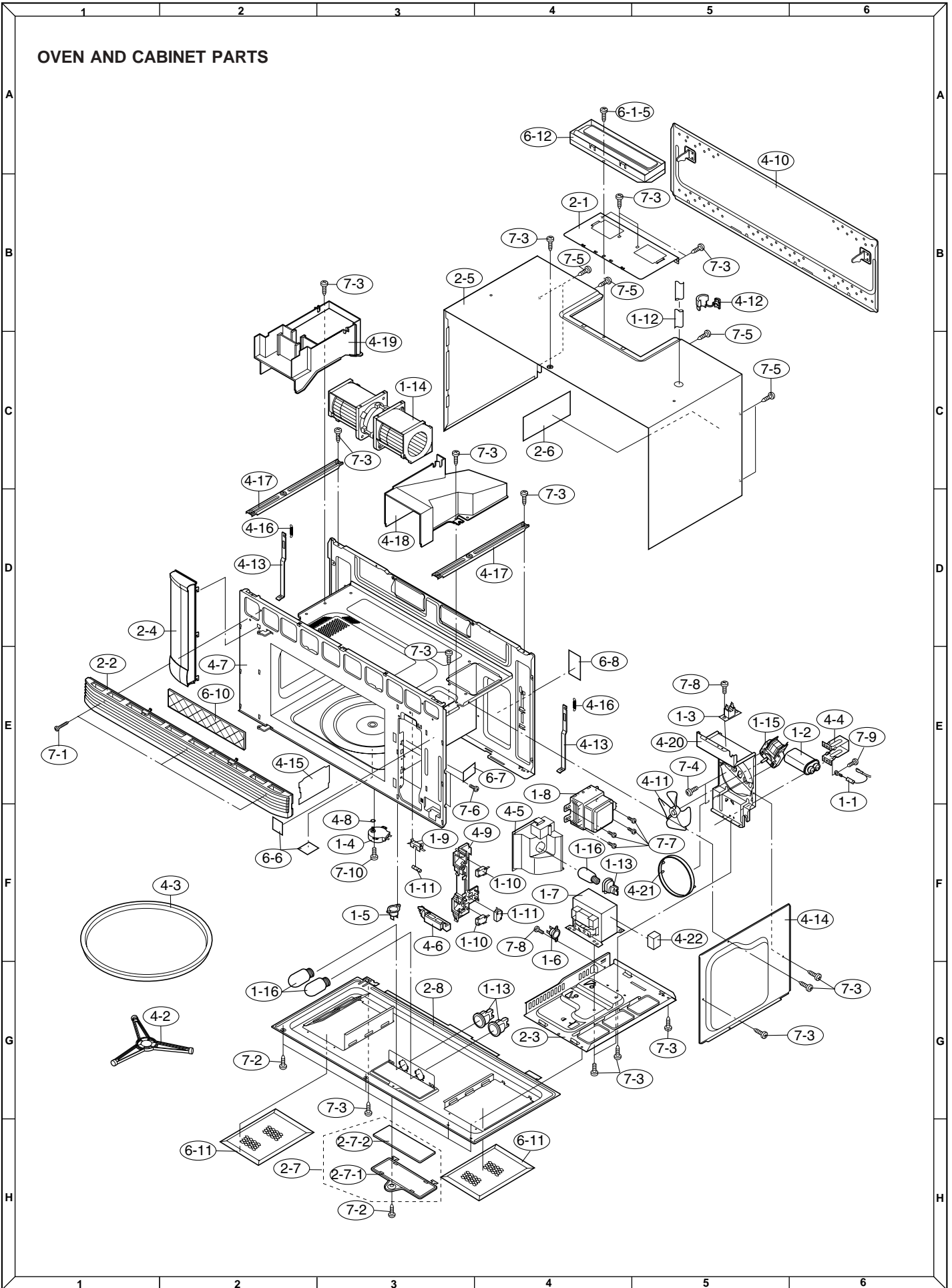
Order Parts from the authorized SHARP parts Distributor for your area.

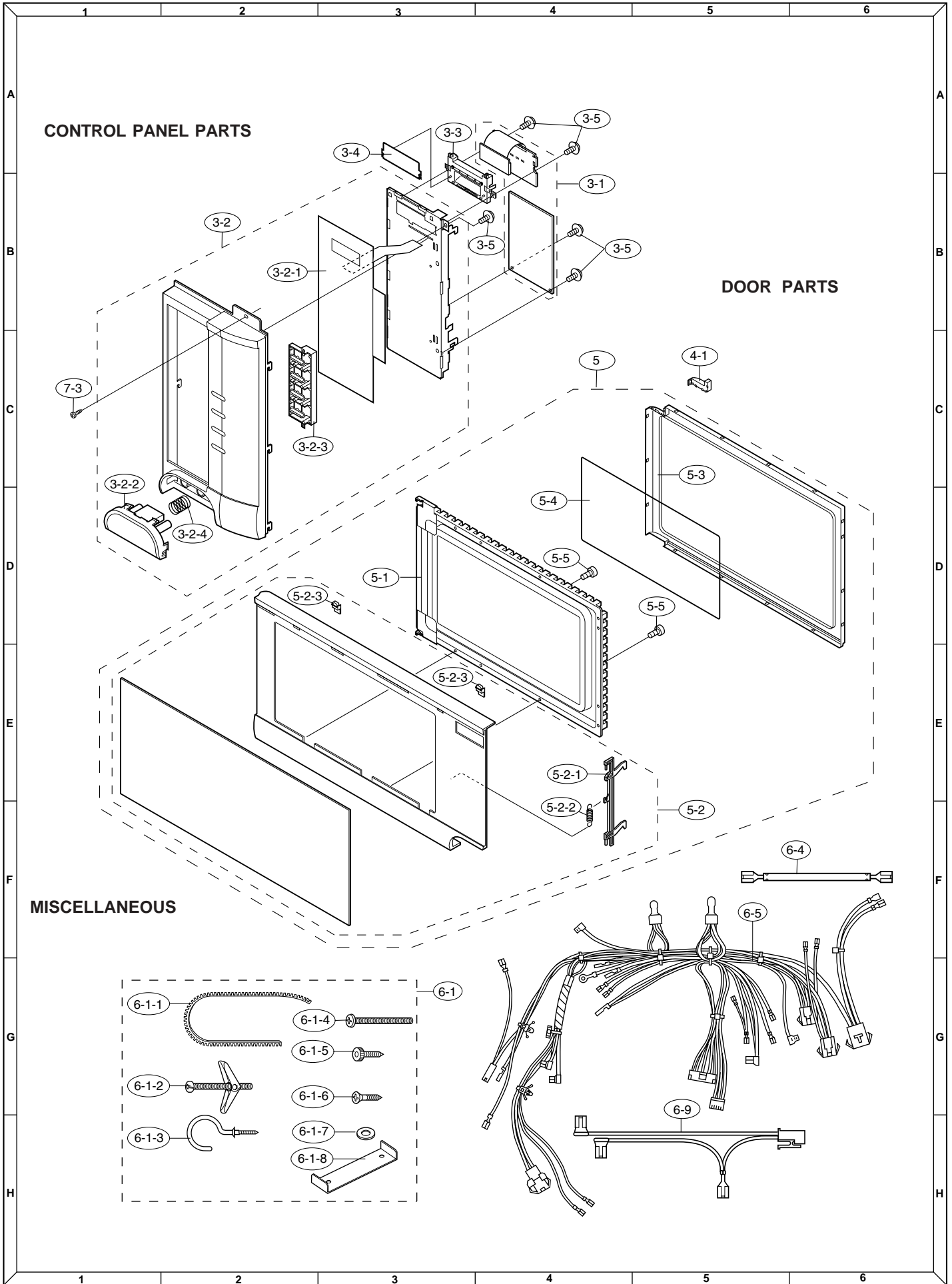
Defective parts requiring return should be returned as indicated in the Service Policy.

## PACKING AND ACCESSORIES



# OVEN AND CABINET PARTS





## NOTES

NOTES

# SHARP

COPYRIGHT © 2002 BY SHARP CORPORATION

ALL RIGHTS RESERVED.

No part of this publication may be reproduced, stored in retrieval systems, or transmitted in any form or by any means, electronic, mechanical, photocopying, recording, or otherwise, without prior written permission of the publisher.