



**dacor.**

Family-Owned. American-Made.



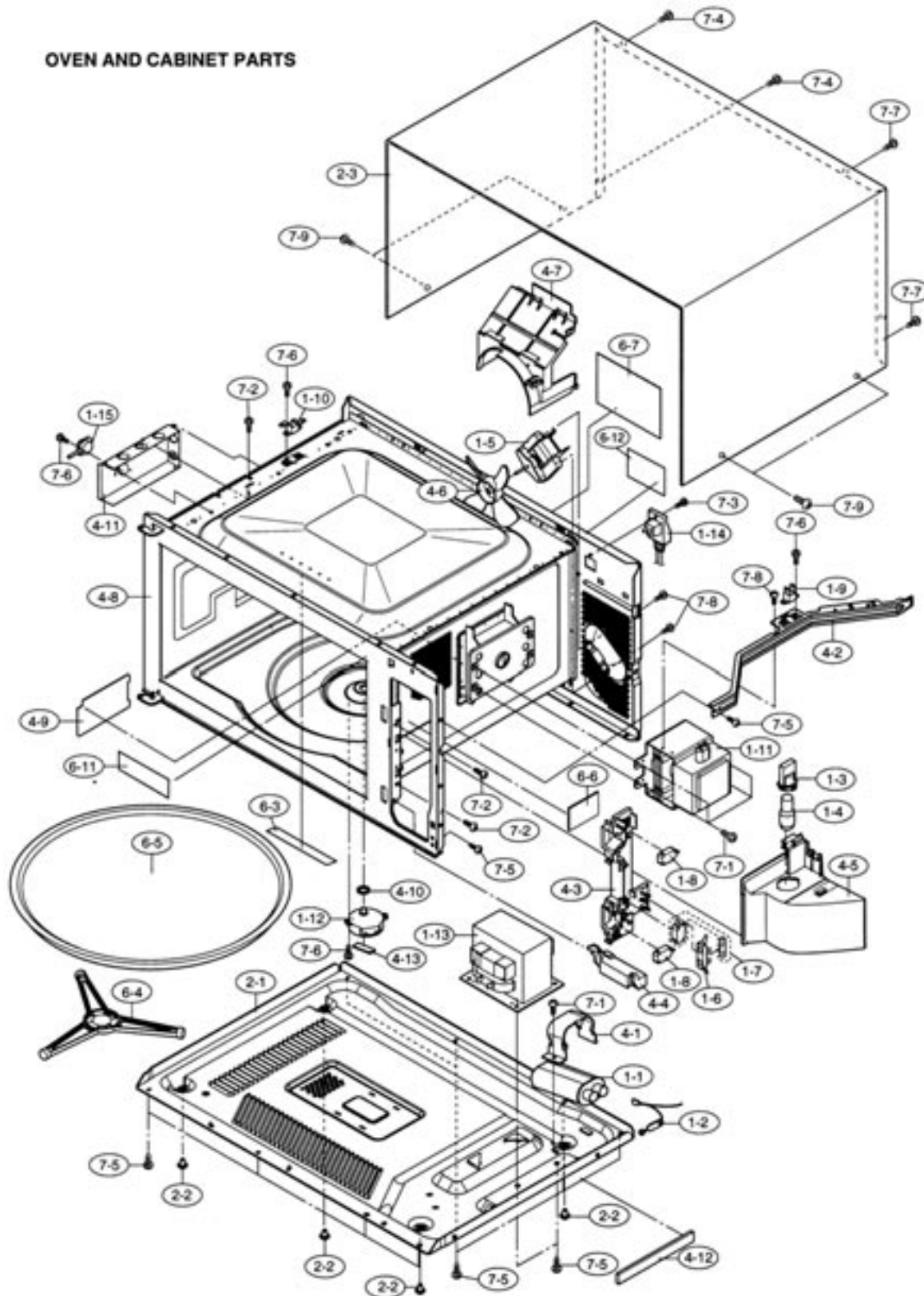
**PARTS  
CATALOG**

**DMO2420 Microwave**

Oven and Cabinet	Control Panel	Door
	Parts	Miscellaneous

# DMO2420 OVEN AND CABINET

OVEN AND CABINET PARTS



**dacor**

Technical Service P.O. Box 6530 Diamond Bar, CA 91765 800-793-0093 - Fax: 909-612-1702

## PARTS LIST

**Note: The parts marked "Δ" may cause undue microwave exposure.**

**The parts marked "\*" are used in voltage more than 250V. "\$" MARK: PARTS DELIVERY SECTION.**

REF. NO.	PART NO.	DESCRIPTION	Q'TY
----------	----------	-------------	------

### ELECTRIC PARTS

	1- 1	86921	High voltage capacitor	1
*	1- 2	86791	High voltage rectifier assembly	1
*	1- 3	86797	Oven lamp socket	1
	1- 4	86804	Oven lamp	1
	1- 5	86805	Fan motor	1
	1- 6	86796	Fuse holder	1
	1- 7	66554	Monitor switch (V-16G-2C25) and fuse assembly (20A 250V AC)	1
	1- 8	66350	Secondary interlock switch and door sensing switch (V-5230Q)	2
	1- 9	86794	Magnetron temperature fuse 150% $\pm$ C	1
	1-10	86795	Cavity temperature fuse 150% $\pm$ C	1
*Δ	1-11	66354	Magnetron	1
	1-12	86800	Turntable motor	1
*	1-13	66609	Power transformer	1
	1-14	66327	Power supply cord	1
	1-15	66329	AH sensor	1

### CABINET PARTS

	2- 1	66335	Base plate	1
	2- 2	66336	Foot	4
	2- 3	86813B	Outer case cabinet [DMO2420B]	1
	2- 3	86813R	Outer case cabinet [DMO2420R]	1
	2- 3	86813S	Outer case cabinet [DMO2420S]	1

### CONTROL PANEL PARTS

	3- 1	66325	Power unit	1
	3- 2	66326	LSI unit	1
	3- 3	66330B	Control panel frame assembly [DMO2420B]	1
	3- 3	66330R	Control panel frame assembly [DMO2420R]	1
	3- 3	66330B	Control panel frame assembly [DMO2420S]	1
	3-3-1	66332B	Key unit [DMO2420B]	1
	3-3-1	66332S	Key unit [DMO2420R]	1
	3-3-1	66332R	Key unit [DMO2420S]	1
	3-3-2	66337B	Open button [DMO2420B/S]	1
	3-3-2	66337R	Open button [DMO2420R]	1
	3-3-3	66545	Decoration plate [DMO2420S]	1
	3-3-3	66546	Decoration plate [DMO2420R]	1
	3-3-3	66547	Decoration plate [DMO2420B]	1
	3-3-4	86779	Open button spring	1
	3- 4	86920	LCD holder	1
	3- 5	66349	LED sheet	1
	3- 6	86849	Screw; 3mm x 10mm	3

### OVEN PARTS

	4- 1	86817	H.V. Capacitor band	1
	4- 2	66338	Chassis support	1
	4- 3	66367	Latch hook	1
	4- 4	86829	Switch lever	1
	4- 5	66347	Magnetron duct	1
	4- 6	66343	Fan blade	1
	4- 7	66346	Fan duct	1
	4- 8	-----	Oven cavity (Not a replaceable part)	1
	4- 9	66345	Waveguide cover	1
	4-10	86843	Turntable motor packing	1
	4-11	66348	Sensor duct	1
	4-12	86836	Cushion	1
	4-13	66368	Cushion	1

### DOOR PARTS

	5- 1	86782B	Door frame [DMO2420B]	1
	5- 1	86782S	Door frame [DMO2420S]	1
	5- 1	86782R	Door frame [DMO2420R]	1
	5- 2	86785	Latch head	1
	5- 3	86786	Latch spring	1



The life of the kitchen™

Date: 2-4-03

Re: DMO2420

---

**Products Covered:**  
DMO2420

**Revision Level Change:**  
NONE

**Condition:**  
PART NUMBERS 66325 AND 66326 ARE SOLD AS AN ASSEMBLY - 66608

**Correction:**  
ORDER PART NUMBER 66608

REF. NO.	PART NO.	DESCRIPTION	Q'TY
5 -4	86783	Door panel [DMO2420B/S]	1
5 -4	86783	Door panel [DMO2420R]	1
5- 5	86788	Sealer film	1
5- 6	66334	Choke cover	1

**MISCELLANEOUS**

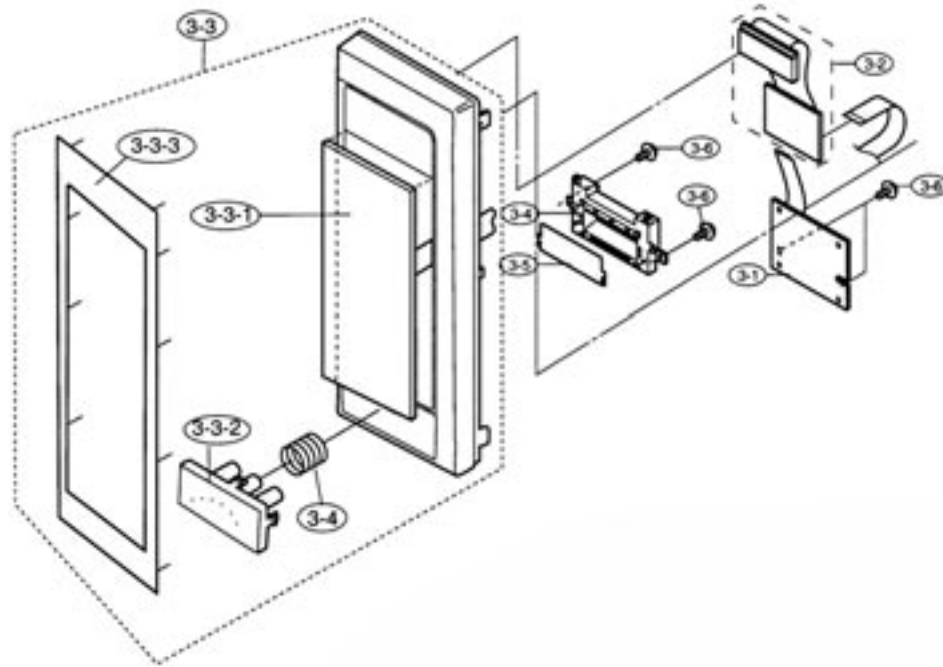
6- 1	86792	Stop switch harness	1
6- 2	66333	Main wire harness	1
6- 3	66364	Cavity hole cover	1
6- 4	66331	Turntable support	1
6- 5	66344	Turntable tray	1
6- 6	N/A	Monitor caution label	1
6- 7	N/A	DHHS/Screw caution label	1
6- 8	N/A	Operation manual	1
6- 9	86799	High voltage wire A	1
6-10	N/A	Recipe card	1
6-11	N/A	Menu label	1
6-12	N/A	UL screw caution label	1

**SCREWS,NUTS AND WASHERS**

7- 1	86819	Special screw	5
7- 2	86820	Special screw	3
7- 3	86902	Screw : 4mm x 12mm	1
7- 4	66341	Special screw (Torx tamper proof screw)	2
7- 5	86904	Screw : 4mm x 12mm	12
7- 6	86847	Screw : 3mm x 8mm	4
7- 7	86821	Special screw	2
7- 8	86901	Screw : 4mm x 8mm	3
7- 9	66544	Screw : 4mm x 12mm [DMO2420B/S]	4
7- 9	66543	Screw : 4mm x 12mm [DMO2420R]	4

# DMO2420 CONTROL PANEL

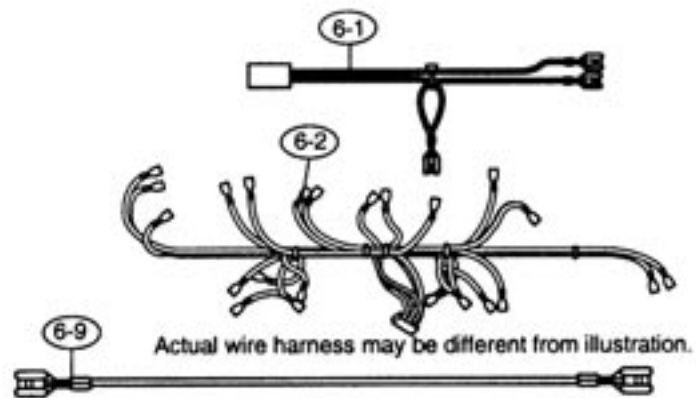
## CONTROL PANEL PARTS



3-1	66325	POWER UNIT
3-2	66608	LSI UNIT
3-3	66330B,R,S	CONTROL PANEL FRAME ASSEMBLY
3-3-1	66332B,R,S	KEY UNIT
3-3-2	66337B,R	OPEN BUTTON
3-3-3	66345	DECORATION PLATE (S)
3-3-3	66546	DECORATION PLATE (R)
3-3-3	66547	DECORATION PLATE (B)
3-3-4	86779	OPEN BUTTON SPRING
3-4	86920	LCD HOLDER
3-5	66349	LED SHEET
3-6	86849	SCREW; 3MM X 10MM

**dacor**

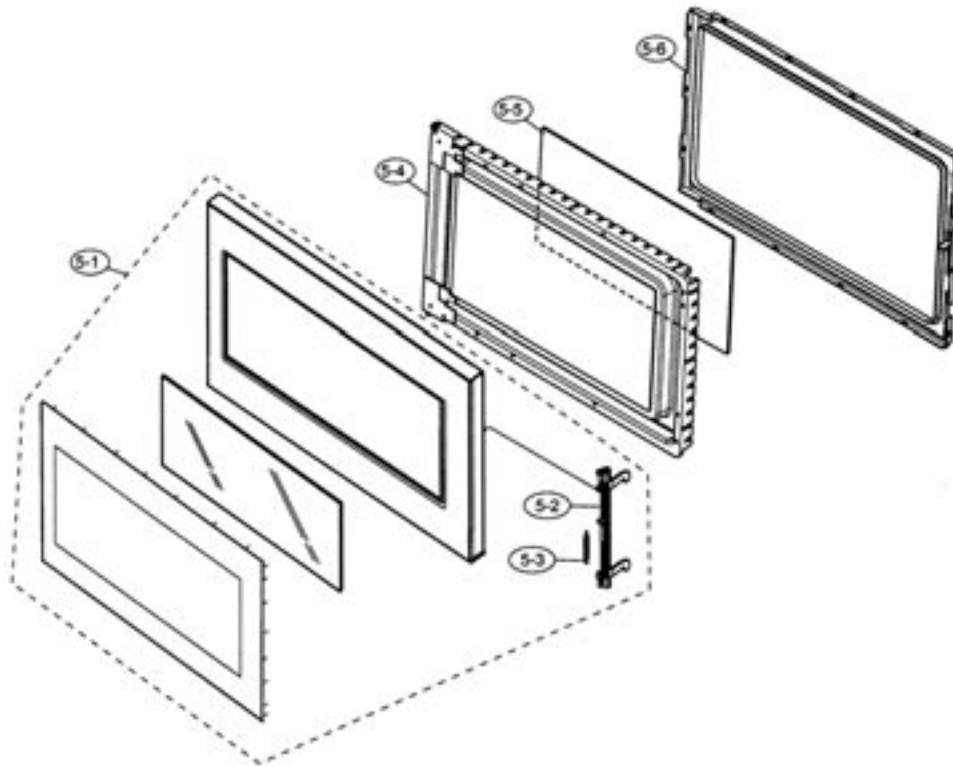
# DMO2420 - MISC



6-1	86792	STOP SWITCH HARNESS
6-2	66333	MAIN WIRE HARNESS
6-9	86799	HIGH VOLTAGE WIRE A

# DMO2420 DOOR

## DOOR PARTS



5-1	86782B,R,S	DOOR FRAME
5-2	86785	LATCH HEAD
5-3	86786	LATCH SPRING
5-4	86783	DOOR PANEL (B/S)
*	86783R	DOOR PANEL (R)
5-5	86788	SEALER FILM
5-6	66334	CHOKE COVER
**	86783B,S	Complete Door Assy Black and Stainless
**	66855	Complete Door Assembly Arctic

**dacor**