

The Dacor logo is written in a bold, italicized, sans-serif font. The letters are black and have a slight shadow effect. A registered trademark symbol (®) is located at the end of the word.

***dacor***®

Family-Owned. American-Made.

A photograph of a kitchen featuring a stainless steel Dacor oven and stovetop. The stovetop has four burners, and a white bowl is on the front burner. A large pot is on the back burner. The oven has a glass door and a control panel with several knobs. The kitchen counter is dark, and there are various kitchen items like a bottle of oil and a basket of bread on the counter. The background is slightly blurred.

**PARTS  
CATALOG**

**DMT Microwave**

Oven	Door/Control Panel	Packing
Updates	Parts	



# Field Service Bulletin

## **dacor**<sup>®</sup>

Page 1 of 1

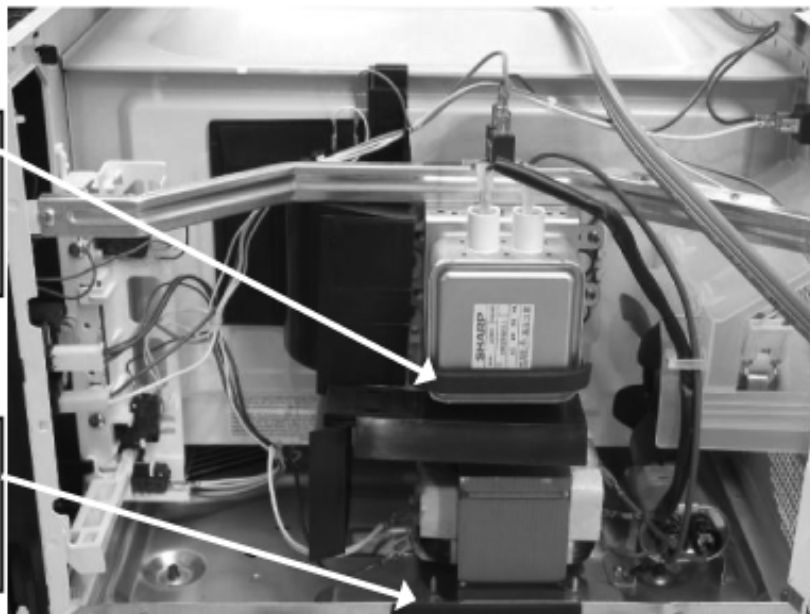
<b>Issued By:</b> Technical Service	<b>Date Issued:</b> 7-2004	<b>Distribution:</b> Service/Parts	<b>Supercedes:</b>
<b>Subject:</b> Noisy Microwave	<b>Product Type:</b> Microwave	<b>Model No:</b> DMT2420	<b>Bulletin No:</b> 04-08

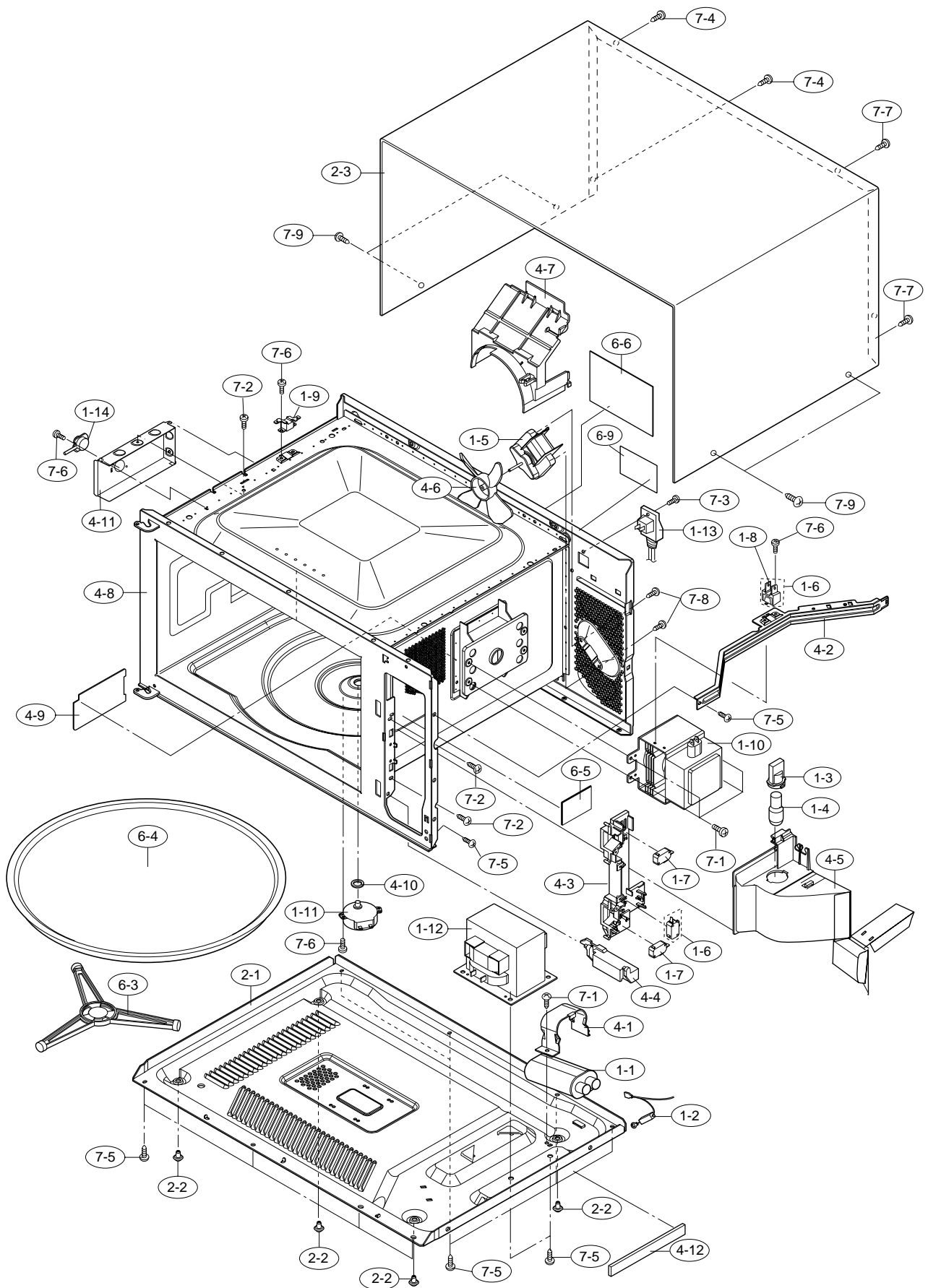
## Noisy DMT

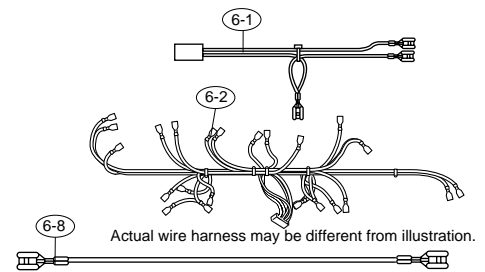
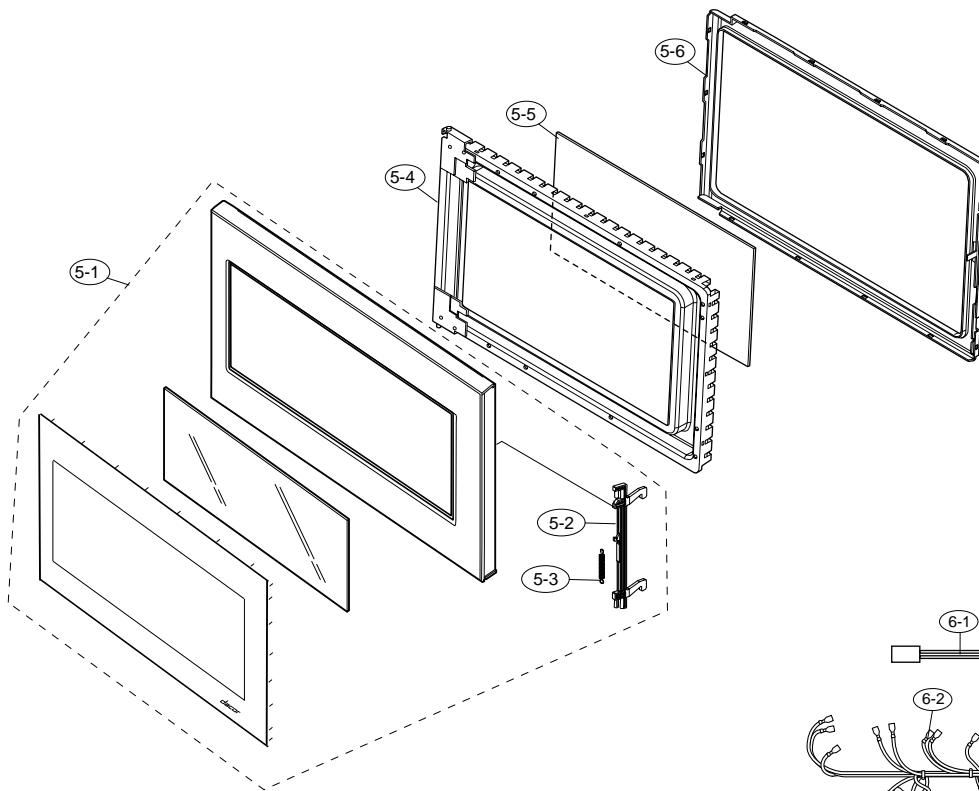
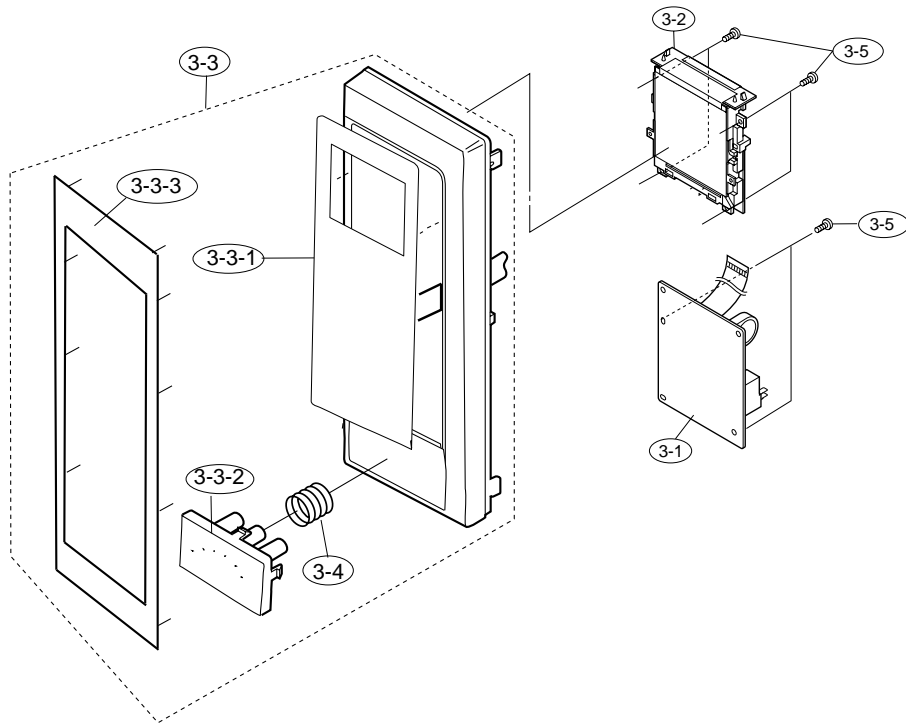
If you receive a field complaint regarding a vibration/humming noise on the DMT2420 microwave and the noise seems to be localized to the right side of the unit, cushions can be installed, as shown below, to minimize the level of noise. The cushion part number is 66729.

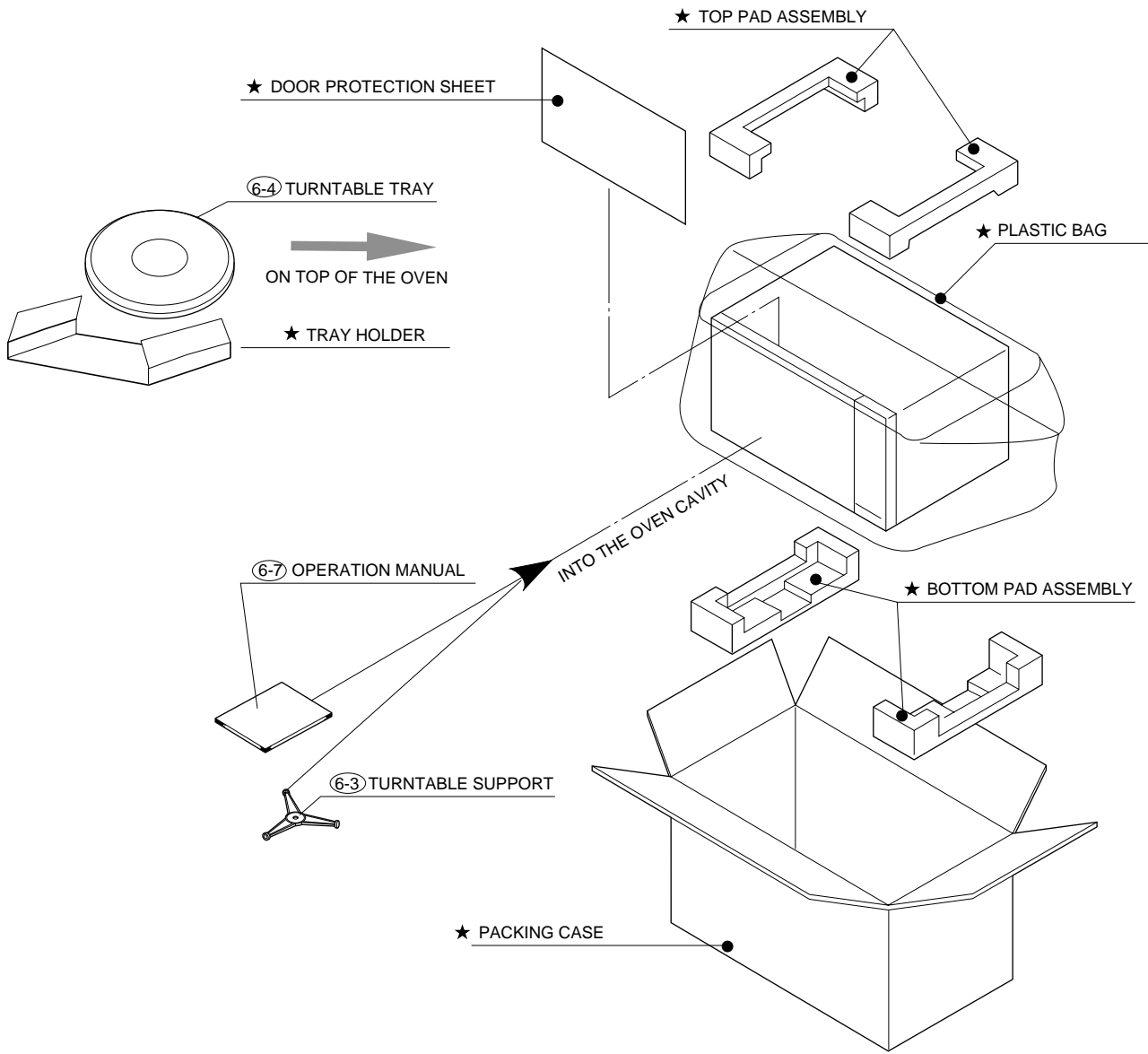
Apply 2 - 66729 cushions, stacked one on top of the other, to the magnetron under the label.

Remove the existing cushion and apply 1- 66729 cushion to the center point of the right base plate.









# PARTS LIST

REF NO	PART NO	DESCRIPTION
1-1	66874	HI VOLTAGE CAPACITOR
1-2	66857	HI VOLTAGE RECTIFIER ASSEMBLY
1-3	86797	OVEN LAMP SOCKET
1-4	86800	OVEN LAMP
1-5	86805	FAN MOTOR
1-6	66890	MONITOR SWITCH
1-7	66236	INTERLOCK SWITCH
1-8	66872	C/T FUSE
1-9	86795	CAVITY TEMPERATURE FUSE
1-10	66354	MAGNETRON
1-11	66245	TURNTABLE MOTOR
1-12	86875	POWER TRANSFORMER
1-13	66854	POWER SUPPLY CORD
1-14	66856	AH SENSOR
2-1	66861	BASE PLATE
2-2	66862	FOOT
2-3	86813	OUTER CASE CABINET (B,S)
2-3	86813R	OUTER CASE CABINET (R)
3-1	66852	POWER UNIT
3-2	66853	LSI UNIT
3-3	66858	CONTROL PANEL FRAME ASSEMBLY
3-3-1	66859	KEY UNIT
3-3-2	66864	OPEN BUTTON
3-3-3	66863B, R, S	DECORATION PLATE
3-4	86779	OPEN BUTTON SPRING
3-5	86780	SCREW; 3MM X 10MM
4-1	86817	H.V. CAPACITOR BAND
4-2	66865	CHASSIS SUPPORT
4-3	66871	LATCH HOOK
4-4	86824	SWITCH LEVER
4-5	66870	MAGNETRON DUCT
4-6	66867	FAN BLADE
4-7	66868	FAN DUCT
4-8	-----	OVEN CAVITY (NOT REPLACEABLE)
4-9	66345	WAVEGUIDE COVER
4-10	86843	TURNTABLE MOTOR PACKING
4-11	66869	SENSOR DUCT
4-12	86836	CUSHION

# PARTS LIST

REF NO	PART NO	DESCRIPTION
5-1	86782	DOOR FRAME (BLACK AND STAINLESS)
5-1	86782R	DOOR FRAME (ARCTIC)
5-2	86785	LATCH HEAD
5-3	86786	LATCH SPRING
5-4	86783	DOOR PANEL
5-4	66855	DOOR PANEL
5-5	86788	SEALER FILM
5-6	86784	CHOKE COVER
6-1	86792	STOP SWITCH HARNESS
6-2	66860	MAIN WIRE HARNESS
6-3	66184	TURNTABLE SUPPORT
6-4	66344	TURNTABLE TRAY
6-5	66876	MONITOR CAUTION LABEL
6-6	-----	DHHS/SCREW CAUTION LABEL
6-7	66877	OPERATION MANUAL
6-8	86799	HIGH VOLTAGE WIRE A
6-9	-----	UL SCREW CAUTION LABEL
7-1	86819	SPECIAL SCREW
7-2	86820	SPECIAL SCREW
7-3	86902	SCREW: 4MM X 12MM
7-4	66866	SPECIAL SCREW (TORX TAMPER PROOF)
7-5	66888	SCREW: 4MM X 12MM
7-6	86847	SCREW: 3MM X 8MM
7-7	66889	SPECIAL SCREW
7-8	86901	SCREW: 4MM X 8MM
7-9	86946B	SCREW: 4MM X 12MM (DMT2420B)
7-9	86905	SCREW: 4MM X 12MM (DMT2420R/S)