

# SHARP

# SUPPLEMENTAL SERVICE MANUAL

S75M260R15XXF

## MICROWAVE OVENS

R-1505F, R-1510F, R-1511F, R-1512F, R-1514F

This is a supplemental Service Manual for Microwave Oven models:  
R-1505F, R-1510F, R-1511F, R-1512F and R-1514F.

These models are quite similar to the base models:  
R-1505, R-1510, R-1511, R-1512 and R-1514.

This supplemental manual must be used in conjunction with the base model service manual for complete operation, service, safety and replacement parts information.

**This supplemental manual is being issued to comply with the new FCC standards, that all Microwave models produced from July 2005 must have a noise filter unit included, plus any associated parts.**

In the interest of user-safety the oven should be restored to its original condition and only parts identical to those specified should be used.

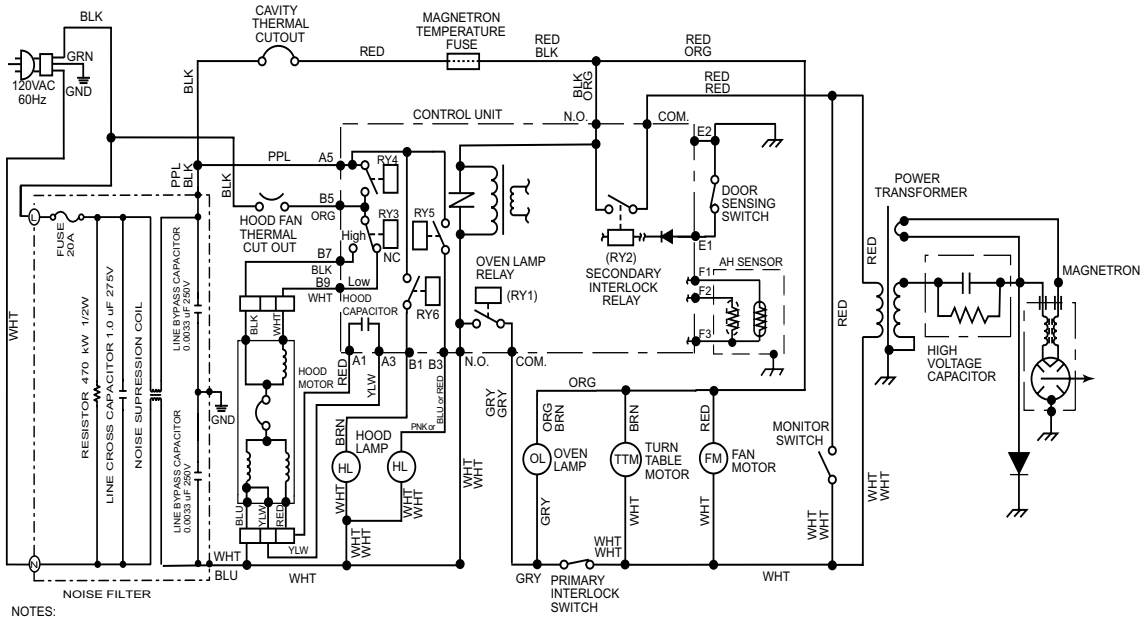
**WARNING TO SERVICE PERSONNEL: Microwave ovens contain circuitry capable of producing very high voltage and current, contact with following parts may result in a severe, possibly fatal, electrical shock. (High Voltage Capacitor, High Voltage Power Transformer, Magnetron, High Voltage Rectifier Assembly, High Voltage Harness etc..)**

**SHARP ELECTRONICS CORPORATION**

This document has been published to be used for after sales service only.  
The contents are subject to change without notice.

Service Headquarters: Sharp Plaza, Mahwah, New Jersey, 07430-2135

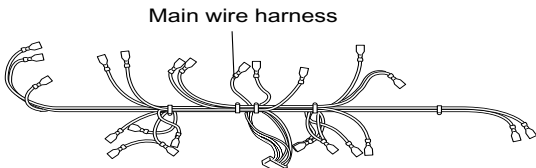
## NEW SCHEMATIC



- NOTES:
1. CIRCUITS SUBJECT TO CHANGE WITHOUT NOTICE.
  2. TERMINAL WITH PROJECTION OR OPPOSITE BLUE MARK ON LAMP SOCKET MUST BE CONNECTED TO NEUTRAL WIRE.
  3. ONLY CERTAIN MODELS USE THE ABSOLUTE HUMIDITY SENSOR.
  4. POWER TRANSFORMER LEFT (FINISH LEAD) TERMINAL MUST BE CONNECTED TO THE NEUTRAL (WHITE) WIRE.

## CHANGED PARTS

FW-VZB284MRE0	Main wire harness	1	AX
FPWBF A380WRKZ	Noise filter unit	1	AM
LANGQB025MRP0	Noise unit angle	1	AE



Actual wire harness may be different from illustration.

