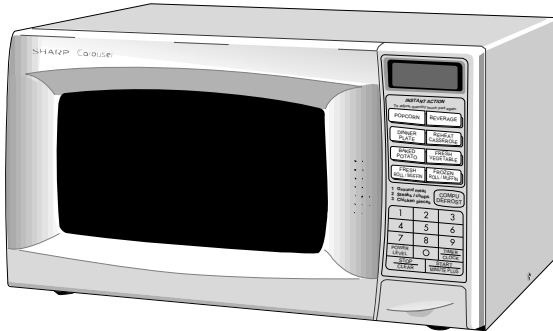


SHARP SERVICE MANUAL

S5707R312APK/

MICROWAVE OVEN

MODELS **R-312AW**
R-312AK



R-312AW

In the interest of user-safety the oven should be restored to its original condition and only parts identical to those specified should be used.

TABLE OF CONTENTS

	Page
PRECAUTIONS TO BE OBSERVED BEFORE AND DURING SERVICE TO AVOID POSSIBLE EXPOSURE TO EXCESSIVE MICROWAVE ENERGY	INSIDE FRONT COVER
BEFORE SERVICING	1
MICROWAVE MEASUREMENT PROCEDURE	2
FOREWORD	3
PRODUCT SPECIFICATIONS	4
GENERAL INFORMATION	4
OPERATION	6
TROUBLESHOOTING GUIDE	9
TEST PROCEDURE	10
TOUCH CONTROL PANEL	15
COMPONENT REPLACEMENT AND ADJUSTMENT PROCEDURE	19
PICTORIAL DIAGRAM	25
POWER UNIT CIRCUIT	26
CONTROL PANEL CIRCUIT	27
PRINTED WIRING BOARD	28
PARTS LIST	29
PACKING AND ACCESSORIES	33

SHARP ELECTRONICS CORPORATION

Service Headquarters: Sharp Plaza, Mahwah, New Jersey 07430-2135

PRECAUTIONS TO BE OBSERVED BEFORE AND DURING SERVICING TO AVOID POSSIBLE EXPOSURE TO EXCESSIVE MICROWAVE ENERGY

- (a) Do not operate or allow the oven to be operated with the door open.
- (b) Make the following safety checks on all ovens to be serviced before activating the magnetron or other microwave source, and make repairs as necessary: (1) interlock operation, (2) proper door closing, (3) seal and sealing surfaces (arcing, wear, and other damage), (4) damage to or loosening of hinges and latches, (5) evidence of dropping or abuse.
- (c) Before turning on microwave power for any service test or inspection within the microwave generating compartments, check the magnetron, wave guide or transmission line, and cavity for proper alignment, integrity, and connections.
- (d) Any defective or misadjusted components in the interlock, monitor, door seal, and microwave generation and transmission systems shall be repaired, replaced, or adjusted by procedures described in this manual before the oven is released to the owner.
- (e) A microwave leakage check to verify compliance with the Federal Performance Standard should be performed on each oven prior to release to the owner.

BEFORE SERVICING

Before servicing an operative unit, perform a microwave emission check as per the Microwave Measurement Procedure outlined in this service manual.

If microwave emissions level is in excess of the specified limit, contact SHARP ELECTRONICS CORPORATION immediately @1-800-237-4277.

If the unit operates with the door open, service person should 1) tell the user not to operate the oven and 2) contact SHARP ELECTRONICS CORPORATION and Food and Drug Administration's Center for Devices and Radiological Health immediately.

Service personnel should inform SHARP ELECTRONICS CORPORATION of any certified unit found with emissions in excess of $4\text{mW}/\text{cm}^2$. The owner of the unit should be instructed not to use the unit until the oven has been brought into compliance.

MICROWAVE MEASUREMENT PROCEDURE

A. Requirements:

- 1) Microwave leakage limit (Power density limit): The power density of microwave radiation emitted by a microwave oven should not exceed 1 mW/cm^2 at any point 5cm or more from the external surface of the oven, measured prior to acquisition by a purchaser, and thereafter (through the useful life of the oven), 5 mW/cm^2 at any point 5cm or more from the external surface of the oven.
- 2) Safety interlock switches Primary interlock relay and door sensing switch shall prevent microwave radiation emission in excess of the requirement as above mentioned, secondary interlock switch shall prevent microwave radiation emission in excess of 5 mW/cm^2 at any point 5cm or more from the external surface of the oven.

B. Preparation for testing:

Before beginning the actual measurement of leakage, proceed as follows:

- 1) Make sure that the actual instrument is operating normally as specified in its instruction booklet.

Important:

Survey instruments that comply with the requirement for instrumentation as prescribed by the performance standard for microwave ovens, 21 CFR 1030.10(c)(3)(i), must be used for testing.

- 2) Place the oven tray in the oven cavity.
- 3) Place the load of $275 \pm 15 \text{ ml}$ (9.8 oz) of tap water initially at $20 \pm 5^\circ \text{C}$ (68°F) in the center of the oven cavity. The water container shall be a low form of 600 ml (20 oz) beaker with an inside diameter of approx. 8.5 cm (3-1/2 in.) and made of an electrically nonconductive material such as glass or plastic. The placing of this standard load in the oven is important not only to protect the oven, but also to insure that any leakage is measured accurately.
- 4) Set the cooking control on Full Power Cooking Mode
- 5) Close the door and select a cook cycle of several minutes. If the water begins to boil before the survey is completed, replace it with 275 ml of cool water.

C. Leakage test:

Closed-door leakage test (microwave measurement)

- 1) Grasp the probe of the survey instrument and hold it perpendicular to the gap between the door and the body of the oven.
- 2) Move the probe slowly, not faster than 1 in./sec. (2.5 cm/sec.) along the gap, watching for the maximum indication on the meter.
- 3) Check for leakage at the door screen, sheet metal seams and other accessible positions where the continuity of the metal has been breached (eg., around the switches, indicator, and vents). While testing for leakage around the door pull the door away from the front of the oven as far as is permitted by the closed latch assembly.
- 4) Measure carefully at the point of highest leakage and make sure that the highest leakage is no greater than 4 mW/cm^2 , and that the secondary interlock switch does turn the oven OFF before any door movement.

NOTE: After servicing, record data on service invoice and microwave leakage report.

SERVICE MANUAL

SHARP

MICROWAVE OVEN

R-312AW / R-312AK

FOREWORD

This Manual has been prepared to provide Sharp Electronics Corp. Service Personnel with Operation and Service Information for the SHARP MICROWAVE OVENS, R-312AW, R-312AK.

It is recommended that service personnel carefully study the entire text of this manual so that they will be qualified to render satisfactory customer service.

Check the interlock switches and the door seal carefully. Special attention should be given to avoid electrical shock and microwave radiation hazard.

PRODUCT DESCRIPTION

GENERAL INFORMATION

OPERATION

TROUBLESHOOTING GUIDE AND
TEST PROCEDURE

TOUCH CONTROL PANEL

COMPONENT REPLACEMENT
AND ADJUSTMENT PROCEDURE

WIRING DIAGRAM

PARTS LIST

SHARP ELECTRONICS CORPORATION

**SHARP PLAZA, MAHWAH,
NEW JERSEY 07430-2135**

SPECIFICATION

ITEM	DESCRIPTION
Power Requirements	120 Volts / 13.0 Amperes 60 Hertz Single phase, 3 wire grounded
Power Output	1000 watts (IEC-705 TEST PROCEDURE) Operating frequency of 2450MHz
Case Dimensions	Width 20-1/2" Height 11-7/8" Depth 15-7/8"
Cooking Cavity Dimensions 0.9 Cubic Feet	Width 13-3/4" Height 8-3/8" Depth 14-7/8"
Control Complement	Touch Control System Clock (1:00 - 12:59) Timer (0 - 99 min. 99 seconds) Microwave Power for Variable Cooking Repetition Rate; P-HI Full power throughout the cooking time P-90 approx. 90% of Full Power P-80 approx. 80% of Full Power P-70 approx. 70% of Full Power P-60 approx. 60% of Full Power P-50 approx. 50% of Full Power P-40 approx. 40% of Full Power P-30 approx. 30% of Full Power P-20 approx. 20% of Full Power P-10 approx. 10% of Full Power P-0 No power throughout the cooking time INSTANT ACTION pads COMPU DEFROST pad Number selection pads POWER LEVEL pad TIMER/CLOCK pad STOP/CLEAR pad START/MINUTE PLUS pad
Oven Cavity Light	Yes
Safety Standard	UL and C-UL Listed FCC Authorized DHHS Rules, CFR, Title 21, Chapter 1, Subchapter J Department of National Health and Welfare CANADA.

GENERAL INFORMATION

GROUNDING INSTRUCTIONS

This oven is equipped with a three prong grounding plug. It must be plugged into a wall receptacle that is properly installed and grounded in accordance with the National Electrical Code and local codes and ordinances. In the event of an electrical short circuit, grounding reduces the risk of electric shock by providing an escape wire for the electric current.

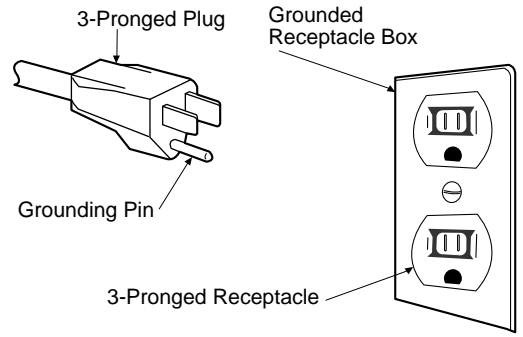
WARNING: Improper use of the grounding plug can result in a risk of electric shock.

Electrical Requirements

The electrical requirements are a 115 -120 volt 60 Hz, AC only, 15 or 20 amp. fused electrical supply. It is recommended that a separate circuit serving only this appliance be provided. When installing this appliance, observe all applicable codes and ordinances.

A short power-supply cord is provided to reduce risks of becoming entangled in or tripping over a longer cord.

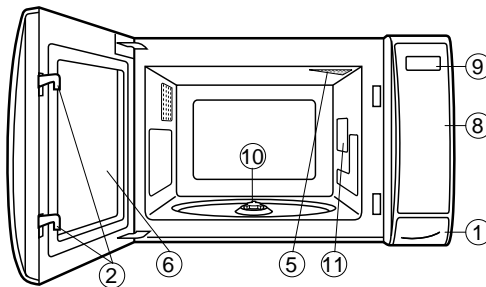
Where a two-pronged wall-receptacle is encountered, it is the personal responsibility and obligation of the customer to contact a qualified electrician and have it replaced with a properly grounded three-pronged wall receptacle or have a grounding adapter properly grounded and polarized. If an extension cord must be used, it should be a 3-wire, 15 amp. or more cord. Do not drape over a countertop or table where it can be pulled on by children or tripped over accidentally.



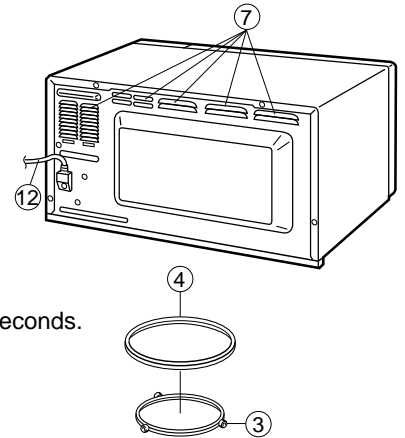
CAUTION: DO NOT UNDER ANY CIRCUMSTANCES CUT OR REMOVE THE ROUND GROUNDING PRONG FROM THIS PLUG.

OVEN DIAGRAM

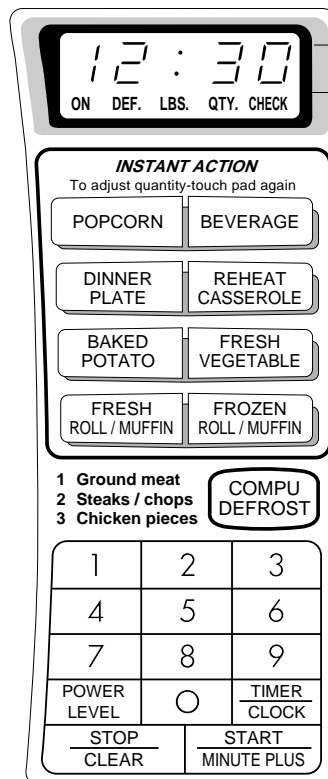
- 1. One touch door open button.
Push to open door.
- 2. Door latches.
The oven will not operate unless the door is securely closed.
- 3. Removable turntable support.
The turntable will rotate clockwise or counterclockwise.
- 4. Removable turntable.
It will light when oven is operating.
- 5. Oven lamp.
- 6. Oven door with see-through window.
- 7. Ventilation openings. (Rear)
- 8. Auto-Touch control panel.



- 9. Time display: Digital display, 99 minutes 99 seconds.
- 10. Coupling.
- 11. Wave guide cover.
- 12. Power supply cord



TOUCH CONTROL PANEL



Time display
Indicator

INSTANT ACTION
To adjust quantity-touch pad again

POPCORN	BEVERAGE
DINNER PLATE	REHEAT CASSEROLE
BAKED POTATO	FRESH VEGETABLE
FRESH ROLL / MUFFIN	FROZEN ROLL / MUFFIN

1 Ground meat
2 Steaks / chops
3 Chicken pieces

COMPU DEFROST

1	2	3
4	5	6
7	8	9
POWER LEVEL	○	TIMER CLOCK
STOP CLEAR	START MINUTE PLUS	

OPERATION

DESCRIPTION OF OPERATING SEQUENCE

The following is a description of component functions during oven operation.

OFF CONDITION

Closing the door activates door sensing switch, primary interlock switch and the third door switch. (In this condition, the monitor switch contacts are opened.)

When oven is plugged in, 120 volts A.C. is supplied to the noise filter and the control unit. (Figure O-1).

1. The display will show flashing "88:88".
To set any program or set the clock, you must first touch the STOP/CLEAR pad. The display will clear, and " : " will appear.

COOKING CONDITION

Program desired cooking time by touching the Number pads and program the power level by touching the POWER LEVEL pad and Number pad. When the START pad is touched, the following operations occur:

1. The contacts of relays are closed and components connected to the relays are turned on as follows.
(For details, refer to Figure O-2)

RELAY	CONNECTED COMPONENTS
RY-1	oven lamp/turntable motor/fan motor
RY-2	power transformer

2. 120 volts A.C. is supplied to the primary winding of the power transformer and is converted to about 3.2 volts A.C. output on the filament winding, and approximately 2150 volts A.C. on the high voltage winding.
3. The filament winding voltage heats the magnetron filament and the H.V. winding voltage is sent to a voltage doubler circuit.
4. The microwave energy produced by the magnetron is channeled through the waveguide into the cavity feed-box, and then into the cavity where the food is placed to be cooked.
5. Upon completion of the cooking time, the power transformer, oven lamp, etc. are turned off, and the generation of microwave energy is stopped. The oven will revert to the OFF condition.
6. When the door is opened during a cook cycle, monitor switch, door sensing switch, primary interlock switch and third door switch are activated with the following results. The circuits to the turntable motor, the cooling fan motor, and the high voltage components are de-energized, and the digital readout displays the time still remaining in the cook cycle when the door was opened.
7. The monitor switch is electrically monitoring the operation of the primary interlock switch and it is mechanically associated with the door so that it will function in the following sequence.

- (1) When the door opens from a closed position, the third door switch, primary interlock switch and door sensing switch open their contacts, and then the monitor switch contacts close.

- (2) When the door is closed from the open position, the monitor switch contacts first open, and then the contacts of the primary interlock switch, door sensing switch and third door switch close.

If the primary interlock switch fails with their contacts closed when the door is opened, the closing of the monitor switch contacts will form a short circuit through the monitor fuse and primary interlock switch causing the monitor fuse to blow.

POWER LEVEL P-0 TO P-90 COOKING

When Variable Cooking Power is programmed, the 120 volts A.C. is supplied to the power transformer intermittently through the contacts of relay (RY-2) which is operated by the control unit within an interval second time base. Microwave power operation is as follows:

VARI-MODE	ON TIME	OFF TIME
Power 10(P-HI) (100% power)	32 sec.	0 sec.
Power 9(P-90) (approx. 90% power)	30 sec.	2 sec.
Power 8(P-80) (approx. 80% power)	26 sec.	6 sec.
Power 7(P-70) (approx. 70% power)	24 sec.	8 sec.
Power 6(P-60) (approx. 60% power)	22 sec.	10 sec.
Power 5(P-50) (approx. 50% power)	18 sec.	14 sec.
Power 4(P-40) (approx. 40% power)	16 sec.	16 sec.
Power 3(P-30) (approx. 30% power)	12 sec.	20 sec.
Power 2(P-20) (approx. 20% power)	8 sec.	24 sec.
Power 1(P-10) (approx. 10% power)	6 sec.	26 sec.
Power 0(P-0) (0% power)	0 sec.	32 sec.

Note: The ON/OFF time ratio does not correspond with the percentage of microwave power, because approx. 2 seconds are needed for heating of the magnetron filament.

SCHEMATIC

NOTE: CONDITION OF OVEN
1. DOOR CLOSED
2. CLOCK APPEARS ON DISPLAY

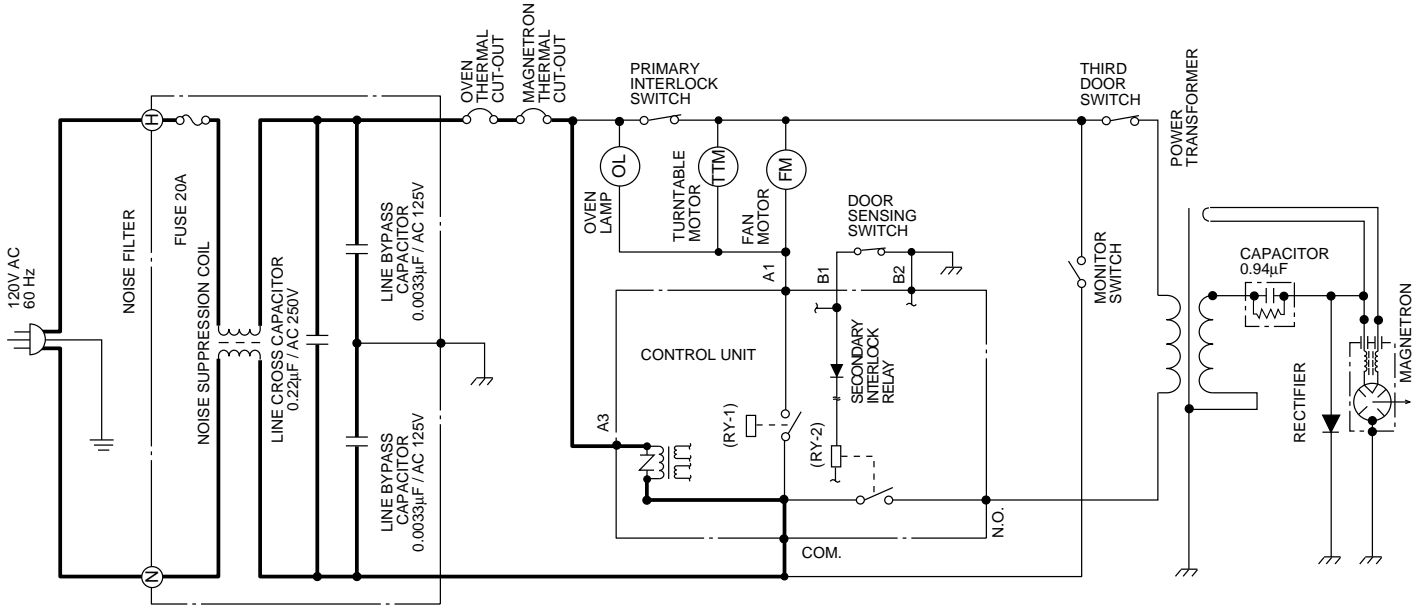


Figure O-1. Oven Schematic-Off Condition

SCHEMATIC

NOTE: CONDITION OF OVEN
1. DOOR CLOSED
2. COOKING TIME PROGRAMMED
3. VARIABLE COOKING CONTROL "HIGH"
4. "START" PAD TOUCHED

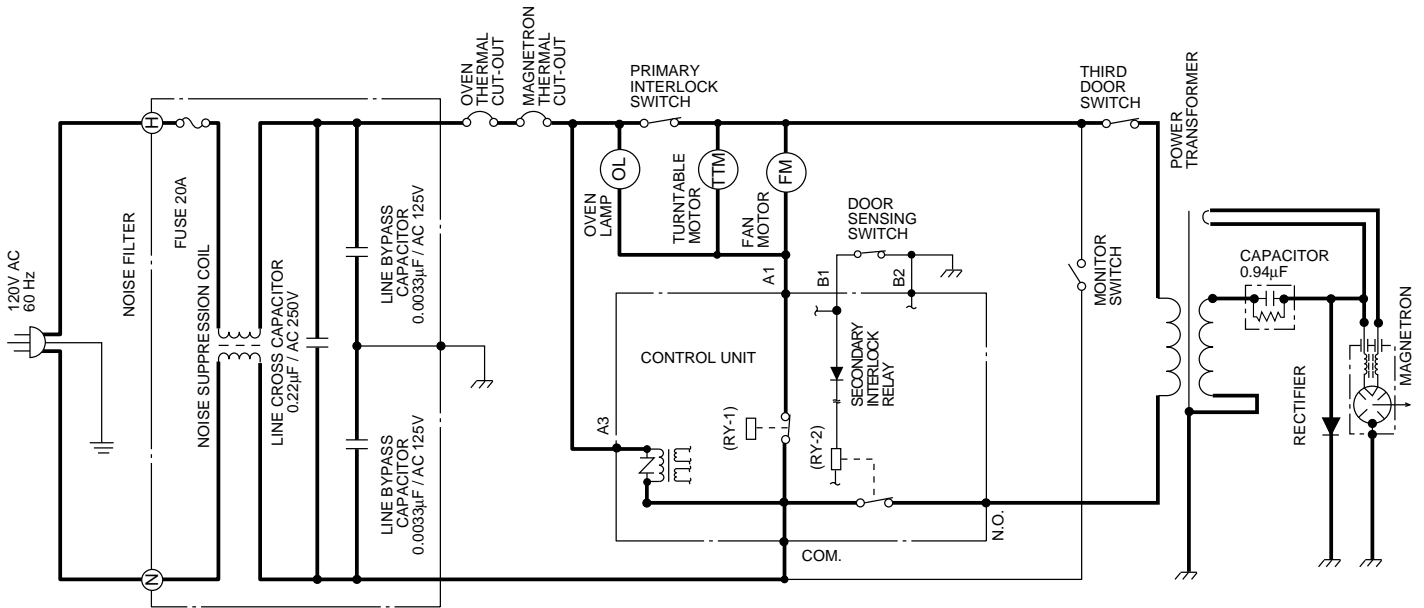


Figure O-2. Oven Schematic-Cooking Condition

DESCRIPTION AND FUNCTION OF COMPONENTS

DOOR OPEN MECHANISM

The door is opened by pushing the open button on the control panel, refer to the Figure D-1.

When the open button is pushed, the open button pushes up the switch lever, and then the switch lever pushes up the latch head. The latch heads are moved upward and released from latch hook. Now the door will open.

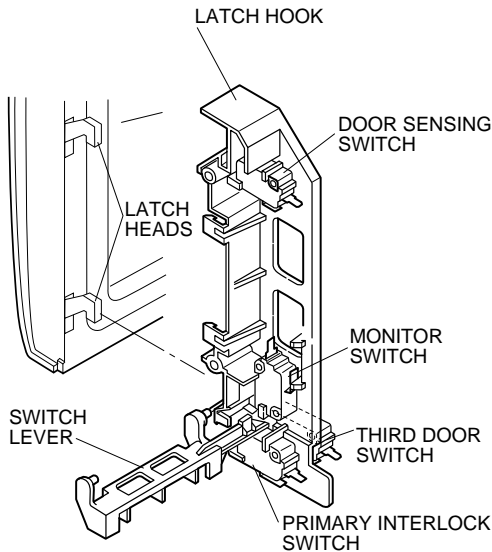


Figure D-1. Door Open Mechanism

DOOR SENSING, THIRD DOOR AND PRIMARY INTERLOCK SWITCHES

The primary interlock switch is mounted in the lower position of the latch hook and the door sensing switch in the secondary interlock system is mounted in the upper position of the latch hook. The third door switch is mounted in the lower position at the back of the latch hook. They are activated by the latch heads on the door. When the door is opened, the switches interrupt the circuit to all components except the oven lamp and the noise filter. A cook cycle cannot take place until the door is firmly closed thereby activating both interlock switches. The secondary interlock system consists of the door sensing switch and secondary interlock relay located on the control circuit board.

MONITOR SWITCH

The monitor switch is activated (the contacts opened) by the latch head on the door while the door is closed. The switch is intended to render the oven inoperative by means of blowing the monitor fuse when the contacts of the primary interlock switch fail to open when the door is opened.

Functions:

1. When the door is opened, the monitor switch contact close (to the ON condition) due to their being normally closed. At this time the primary interlock switch is in the OFF condition (contacts open) due to its being normally open contact switches.
2. As the door goes to a closed position, the monitor switch contacts are first opened and then the door sensing

switch, the primary interlock switch and third door switch contacts close. (On opening the door, each of these switches operate inversely.)

3. If the door is opened, and primary interlock switch contacts fail to open, the monitor fuse blows simultaneously with closing of the monitor switch contacts.

CAUTION: BEFORE REPLACING A BLOWN MONITOR FUSE TEST THE PRIMARY INTERLOCK SWITCH AND MONITOR SWITCH FOR PROPER OPERATION. (REFER TO CHAPTER "TEST PROCEDURE").

NOTE: MONITOR FUSE AND SWITCH ARE REPLACED AS AN ASSEMBLY

TURNTABLE MOTOR

The turntable motor rotates the turntable located on the bottom of the oven cavity, so that the foods on the turntable cook evenly during cooking. The turntable may turn in either direction.

COOLING FAN MOTOR

The cooling fan motor drives a blade which draws external cool air. This cool air is directed through the air vanes surrounding the magnetron and cools the magnetron. This air is channelled through the oven cavity to remove steam and vapours given off from the heating foods. It is then exhausted through the exhausting air vents at the oven cavity.

OVEN THERMAL CUT-OUT

The thermal cut-out, located on the top of the oven cavity, is designed to prevent damage to the oven by fire. If the foods load is overcooked, by either error in cook time or defect in the control unit, the thermal cut-out will open.

Under normal operation, the oven thermal cut-out remains closed. However, when abnormally high temperatures are reached within the oven cavity, the oven thermal cut-out will open at 257°F (125°C), causing the oven to shut down.

MAGNETRON THERMAL CUT-OUT

The thermal cut-out located near the magnetron is designed to prevent damage to the magnetron if an over heated condition develops in the tube due to cooling fan failure, obstructed air guide, dirty or blocked air intake, etc.

Under normal operation, the thermal cut-out remains closed. However, when abnormally high temperatures are reached within the magnetron, the thermal cut-out will open at 203°F (95°C) causing the oven to shut down, when the magnetron has cooled to 167°F (75°C), the thermal cut-out closes and cook cycle will resume.

NOISE FILTER

The noise filter prevents the radio frequency interference that might flow back in the power circuit.

TROUBLESHOOTING GUIDE

When troubleshooting the microwave oven, it is helpful to follow the Sequence of Operation in performing the checks. Many of the possible causes of trouble will require that a specific test be performed. These tests are given a procedure letter which will be found in the "Test Procedure" section.

IMPORTANT: If the oven becomes inoperative because of a blown monitor fuse in the monitor switch and primary interlock switch circuit, check the monitor switch and primary interlock switch before replacing the monitor fuse. If monitor fuse is replaced, the mintor switch should be replaced at the same time.

CK = Check / RE = Replace

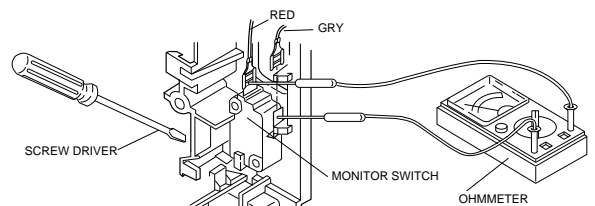
CONDITION	TEST PROCEDURE POSSIBLE CAUSE AND DEFECTIVE PARTS	RE	RE	A	B	C	D	E	F	F	G	H	RE	RE	CK	J	CK	CK	L	K	M	N	I	
		SHORT IN POWER CORD	SHORT OR OPENED WIRING	MAGNETRON	POWER TRANSFORMER	H.V. RECTIFIER ASSEMBLY	HIGH VOLTAGE CAPACITOR	THERMAL CUT-OUT	SECONDARY INTERLOCK SYSTEM	PRIMARY INTERLOCK SWITCH	MONITOR SWITCH	MONITOR FUSE	OVEN LAMP OR SOCKET	COOLING FAN MOTOR	TURNTABLE MOTOR	TOUCH CONTROL PANEL	WRONG OPERATION	LOW VOLTAGE	DIRTY OVEN CAVITY	RELAY (RY1)	KEY UNIT	COMPU DEFROST	FOIL PATTERN ON PWB.	NOISE FILTER
OFF CONDITION	Home fuse or circuit breaker blows when power cord is plugged into wall receptacle	<input type="radio"/>	<input type="radio"/>																					
	Monitor fuse blows when power cord is plugged into wall receptacle.		<input type="radio"/>							<input type="radio"/>													<input type="radio"/>	
	All letters and indicators do not appear in display when power cord is first plugged into wall outlet.		<input type="radio"/>					<input type="radio"/>				<input type="radio"/>			<input type="radio"/>		<input type="radio"/>					<input type="radio"/>	<input type="radio"/>	
	Display does not operate properly when STOP/CLEAR key is touched. (Buzzer should sound and ":" or time of day should appear in display.)		<input type="radio"/>							<input type="radio"/>					<input type="radio"/>		<input type="radio"/>				<input type="radio"/>			
	Oven lamp does not light when door is opened.		<input type="radio"/>					<input type="radio"/>	<input type="radio"/>			<input type="radio"/>	<input type="radio"/>		<input type="radio"/>					<input type="radio"/>				<input type="radio"/>
COOKING CONDITION	Oven lamp does not go out when door is closed.							<input type="radio"/>												<input type="radio"/>				
	Oven lamp does not light in cooking cycle. (Lights when door is opened.)													<input type="radio"/>						<input type="radio"/>				
	Oven lamp does not light at all.		<input type="radio"/>						<input type="radio"/>			<input type="radio"/>			<input type="radio"/>					<input type="radio"/>				
	Oven lamp lights but fan motor and turntable motor do not operate.		<input type="radio"/>							<input type="radio"/>			<input type="radio"/>	<input type="radio"/>										
	Oven does not go into cook cycle when START pad is touched		<input type="radio"/>						<input type="radio"/>	<input type="radio"/>					<input type="radio"/>	<input type="radio"/>					<input type="radio"/>			
	Oven seems to be operating but little or no heat is produced in oven load. (Food incompletely cooked or not cooked at all at end of cook cycle.)		<input type="radio"/>	<input type="radio"/>	<input type="radio"/>	<input type="radio"/>	<input type="radio"/>		<input type="radio"/>						<input type="radio"/>		<input type="radio"/>							
	Oven goes into a cook cycle but extremely uneven heating is produced in oven load (food).		<input type="radio"/>												<input type="radio"/>		<input type="radio"/>	<input type="radio"/>	<input type="radio"/>					
	Oven does not cook properly when programmed for Cooking Power 5 mode. (Operates properly on Cooking Power 10 (HIGH) mode.)									<input type="radio"/>						<input type="radio"/>								
	Oven goes into COMPU DEFROST but food is not defrosted well.															<input type="radio"/>	<input type="radio"/>					<input type="radio"/>		

TEST PROCEDURES

PROCEDURE LETTER	COMPONENT TEST
A	<p><u>MAGNETRON ASSEMBLY TEST</u></p> <p>HIGH VOLTAGES ARE PRESENT DURING THE COOK CYCLE, SO EXTREME CAUTION SHOULD BE OBSERVED.</p> <p>DISCHARGE THE HIGH VOLTAGE CAPACITOR BEFORE TOUCHING ANY OVEN COMPONENTS OR WIRING.</p> <p>To test for an open filament, isolate the magnetron from the high voltage circuit. A continuity check across the magnetron filament leads should indicate less than 1 ohm.</p> <p>To test for a shorted magnetron, connect the ohmmeter leads between the magnetron filament leads and chassis ground. This test should indicate an infinite resistance. If there is little or no resistance the magnetron is grounded and must be replaced.</p> <p>Power output of the magnetron can be measured by performing a water temperature rise test. This test should only be used if above tests do not indicate a faulty magnetron and there is no defect in the following components or wiring: silicon rectifier, high voltage capacitor and power transformer. This test will require a 16 ounce (453cc) measuring cup and an accurate mercury thermometer or thermocouple type temperature tester. For accurate results, the following procedure must be followed carefully:</p> <ol style="list-style-type: none"> 1. Fill the measuring cup with 16 oz. (453cc) of tap water and measure the temperature of the water with a thermometer or thermocouple temperature tester. Stir the thermometer or thermocouple through the water until the temperature stabilizes. Record the temperature of the water. 2. Place the cup of water in the oven. Operate oven at POWER 10(HIGH) selecting more than 60 seconds cook time. Allow the water to heat for 60 seconds, measuring with a stop watch, second hand of a watch or the digital read-out countdown. 3. Remove the cup from the oven and again measure the temperature, making sure to stir the thermometer or thermocouple through the water until the maximum temperature is recorded. 4. Subtract the cold water temperature from the hot water temperature. The normal result should be 34.7 to 64.6°F (19.3 to 35.9°C) rise in temperature. If the water temperatures are accurately measured and tested for the required time period the test results will indicate if the magnetron tube has low power output (low rise in water temperature) which would extend cooking time or high power output (high rise in water temperature) which would reduce cooking time. Because cooking time can be adjusted to compensate for power output, the magnetron tube assembly should be replaced only if the water temperature rise test indicates a power output well beyond the normal limits. The test is only accurate if the power supply line voltage is 120 volts and the oven cavity is clean.
B	<p><u>POWER TRANSFORMER TEST</u></p> <p>DISCHARGE THE HIGH VOLTAGE CAPACITOR BEFORE TOUCHING ANY OVEN COMPONENTS OR WIRING.</p> <p>Disconnect the primary input terminals and measure the resistance of the transformer with an ohmmeter. Check for continuity of the coils with an ohmmeter. On the R x 1 scale, the resistance of the primary coil should be less than 1 ohm and the resistance of the high voltage coil should be approximately 86.4 ohms; the resistance of the filament coil should be less than 1 ohm.</p> <p>(HIGH VOLTAGES ARE PRESENT AT THE HIGH VOLTAGE TERMINAL, SO DO NOT ATTEMPT TO MEASURE THE FILAMENT AND HIGH VOLTAGE.)</p>
C	<p><u>HIGH VOLTAGE RECTIFIER TEST</u></p> <p>DISCHARGE THE HIGH VOLTAGE CAPACITOR BEFORE TOUCHING ANY OVEN COMPONENTS OR WIRING.</p> <p>Isolate the rectifier from the circuit. Using the highest ohm scale of the meter, read the resistance across the terminals and observe, reverse the leads to the rectifier terminals and observe meter reading. If a short is indicated in both directions, or if an infinite resistance is read in both directions, the rectifier is probably defective and should be replaced.</p> <p>NOTE: Be sure to use an ohmmeter that will supply a forward bias voltage of more than 6.3 volts.</p>

TEST PROCEDURES

PROCEDURE LETTER	COMPONENT TEST
D	<p><u>HIGH VOLTAGE CAPACITOR TEST</u></p> <p>DISCHARGE THE HIGH VOLTAGE CAPACITOR BEFORE TOUCHING ANY OVEN COMPONENTS OR WIRING.</p> <p>If the capacitor is open, no high voltage will be available to the magnetron. Disconnect input leads and check for short or open between the terminals using an ohmmeter. Checking with a high ohm scale, if the high voltage capacitor is normal, the meter will indicate continuity for a short time and should indicate an open circuit once the capacitor is charged. If the above is not the case, check the capacitor with an ohmmeter to see if it is shorted between either of the terminals and case. If it is shorted, replace the capacitor.</p>
E	<p><u>OVEN THERMAL CUT-OUT</u></p> <p>A continuity check across the thermal cut-out terminals should indicate a closed circuit unless the temperature of the thermal cut-out reaches approximately 257°F (125°C). An open thermal cut-out indicates overheating of the oven, exchange the oven thermal cut-out and check inside of oven cavity and for improper setting of cooking time or operation of control unit. Check for restricted air flow through the vent holes of the oven cavity, especially the cooling fan and air guide.</p> <p><u>MAGNETRON THERMAL CUT-OUT</u></p> <p>A continuity check across the thermal cut-out terminals should indicate a closed circuit. If the temperature of the magnetron reaches approximately 203°F (95°C), the thermal cut-out opens. The thermal cut-out resets automatically below approximately 167°F (75°C). An open thermal cut-out indicates overheating of the magnetron. Check for restricted air flow to the magnetron, especially the cooling fan air guide.</p> <p>CAUTION: IF THE THERMAL CUT-OUT INDICATES AN OPEN CIRCUIT AT ROOM TEMPERATURE, REPLACE THERMAL CUT-OUT.</p>
F	<p><u>PRIMARY INTERLOCK SWITCH AND DOOR SWITCH TEST</u></p> <p>Isolate the switch and connect the ohmmeter to the common (COM.) and normally open (NO) terminal of the switch. The meter should indicate an open circuit with the door open and a closed circuit with the door closed. If improper operation is indicated, replace the primary interlock switch.</p> <p><u>SECONDARY INTERLOCK SYSTEM TEST</u></p> <p><u>DOOR SENSING SWITCH</u></p> <p>Isolate the switch and connect the ohmmeter to the common (COM.) and normally open (NO) terminal of the switch, the meter should indicate an open circuit with the door open and a closed circuit with the door closed. If improper operation is indicated, replace the door sensing switch.</p> <p>NOTE: If the door sensing switch contacts fail in the open position and the door is closed, the cooling fan, turntable and oven light will be activated by RY1.</p> <p><u>SECONDARY INTERLOCK RELAY</u></p> <p>Disconnect two (2) wire leads from the male tab terminals of the secondary Interlock relay. Check the state of the relay contacts using a ohmmeter. The relay contacts should be open. If the relay contacts are closed, replace the circuit board entirely or the relay itself.</p>
G	<p><u>MONITOR SWITCH</u></p> <p>Disconnect the oven from power supply. Before performing this test, make sure that the secondary interlock switch and the primary interlock relay are operating properly, according to the above Switch Test Procedure. Disconnect the wire lead from the monitor switch (COM) terminal. Check the monitor switch operation by using the ohmmeter as follows. When the door is open, the meter should indicate a closed circuit. When the monitor switch actuator is pushed by a screw driver through the lower latch hole on the front plate of the oven cavity with the door opened (in this condition the plunger of the monitor switch is pushed in), the meter should indicate an open circuit. If improper operation is indicated, the switch may be defective. After testing the monitor switch, re-connect the wire lead to the monitor switch (COM) terminal and check the continuity of the monitor circuit.</p>



TEST PROCEDURES

PROCEDURE LETTER	COMPONENT TEST
------------------	----------------

H BLOWN MONITOR FUSE

If the monitor fuse is blown when the door is opened, check the primary interlock switch and monitor switch according to the "TEST PROCEDURE" for those switches before replacing the blown monitor fuse.

CAUTION: BEFORE REPLACING A BLOWN MONITOR FUSE, TEST THE PRIMARY INTERLOCK SWITCH AND MONITOR SWITCH FOR PROPER OPERATION.

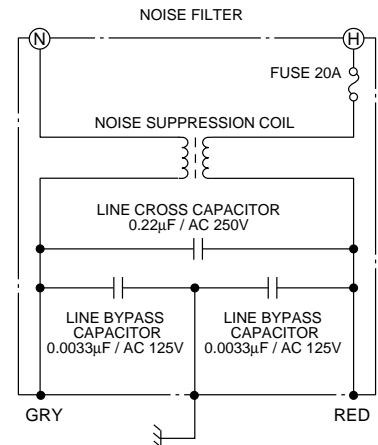
If the monitor fuse is blown by improper switch operation, the monitor fuse and the monitor switch must be replaced with "monitor fuse and switch assembly" part number FFS-BA012WRK0, even if the monitor switch operates normally. The monitor fuse and switch assembly is packed with 20 ampere fuse and switch.

I NOISE FILTER TEST

Disconnect the oven from power supply.
Disconnect the lead wires from the terminal the noise filter. Using an ohmmeter, check between the terminals as described in the following table.

MEASURING POINT	INDICATION OF OHMMETER
Between N and H	Open circuit.
Between terminal N and GRAY	Short circuit.
Between terminal H and RED	Short circuit.

If incorrect reading are obtained, replace the noise filter.



J TOUCH CONTROL PANEL ASSEMBLY TEST

The touch control panel consists of circuits including semiconductors such as LSI, ICs, etc. Therefore, unlike conventional microwave ovens, proper maintenance cannot be performed with only a voltmeter and ohmmeter.

In this service manual, the touch control panel assembly is divided into two units, Control Unit and Key Unit, and also the Control Unit is divided into two units, CPU Unit and Power Unit, and troubleshooting by unit replacement is described according to the symptoms indicated.

1. Key Unit. Note : Check key unit ribbon connection before replacement.
The following symptoms indicate a defective key unit. Replace the key unit.
 - a) When touching the pads, a certain pad produces no signal at all.
 - b) When touching a number pad, two figures or more are displayed.
 - c) When touching the pads, sometimes a pad produces no signal.
2. Control Unit
The following symptoms indicate a defective control unit. Before replacing the control unit, perform the Key unit test (Procedure K) to determine if control unit is faulty.
 - 2-1 In connection with pads.
 - a) When touching the pads, a certain group of pads do not produce a signal.
 - b) When touching the pads, no pads produce a signal.
 - 2-2 In connection with indicators
 - a) At a certain digit, all or some segments do not light up.
 - b) At a certain digit, brightness is low.
 - c) Only one indicator does not light.
 - d) The corresponding segments of all digits do not light up; or they continue to light up.
 - e) Wrong figure appears.
 - f) A certain group of indicators do not light up.
 - g) The figure of all digits flicker.
 - 2-3 Other possible problems caused by defective control unit.
 - a) Buzzer does not sound or continues to sound.
 - b) Clock does not operate properly.

TEST PROCEDURES

PROCEDURE LETTER	COMPONENT TEST
------------------	----------------

c) Cooking is not possible.

Note: When defective components, the Power Unit or Key Unit are replaced, the defective part or parts must be properly packed for return in the shipping carton, with its cushion material, in which the new replacement part was shipped to you.

K KEY UNIT TEST

If the display fails to clear when the STOP/CLEAR pad is depressed, first verify the flat ribbon cable is making good contact, verify that the door sensing switch (stop switch) operates properly; that is the contacts are closed when the door is closed and open when the door is open. If the door sensing switch (stop switch) is good, disconnect the flat ribbon cable that connects the key unit to the control unit and make sure the door sensing switch is closed (either close the door or short the door sensing switch connector). Use the Key unit matrix indicated on the control panel schematic and place a jumper wire between the pins that correspond to the STOP/CLEAR pad making momentary contact. If the control unit responds by clearing with a beep the key unit is faulty and must be replaced. If the control unit does not respond, it is a faulty and must be replaced. If a specific pad does not respond, the above method may be used (after clearing the control unit) to determine if the control unit or key pad is at fault.

	G 8	G 7	G 6	G 5	G 4	G 3	G 2	G 1
G 9	5	4	3	2	1			
G 10	0	9	8	7	6	POPCORN		
G 11	START MINUTE PLUS	COMPU DEFROST	FRESH VEGETABLE	REHEAT CASSEROLE	BEVERAGE	DINNER PLATE		
G 12	POWER LEVEL	TIMER CLOCK	FROZEN ROLL / MUFFIN	FRESH ROLL / MUFFIN	BAKED POTATO	STOP CLEAR		

L RELAY TEST

Remove the outer case and check voltage between Pin No. 3 of the 2 pin connector (A) and the common terminal of the relay RY2 on the control unit with an A.C. voltmeter.

The meter should indicate 120 volts, if not check oven circuit.

RY1 and RY2 Relay Test

These relays are operated by D.C. voltage

Check voltage at the relay coil with a D.C. voltmeter during the microwave cooking operation.

DC. voltage indicated Defective relay.

DC. voltage not indicated Check diode which is connected to the relay coil. If diode is good, control unit is defective.

RELAY SYMBOL	OPERATIONAL VOLTAGE	CONNECTED COMPONENTS
RY1	Approx. 14.0 D.C.	Oven lamp / Turntable motor / Cooling fan motor
RY2	Approx. 12.8 D.C.	Power transformer

M COMPU DEFROST TEST

- Place one cup of water in the center of the turntable tray in the oven cavity.
- Close the door, touch the " COMPU DEFROST " pad twice and touch the Number pad " 5 ". And then touch the "START" pad.
- The oven is in Compu Defrost cooking condition.
- The oven will operate as follows

WEIGHT	1ST STAGE		2ND STAGE		3RD STAGE	
	LEVEL	TIME	LEVEL	TIME	LEVEL	TIME
0.5lbs	70%	40sec.	50%	38sec.	30%	43sec.

- If improper operation is indicated, the control unit is probably defective and should be checked.

TEST PROCEDURES

PROCEDURE LETTER	COMPONENT TEST
------------------	----------------

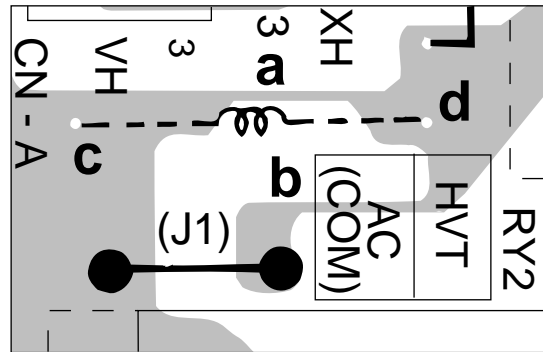
N PROCEDURES TO BE TAKEN WHEN THE FOIL PATTERN ON THE PRINTED WIRING BOARD (PWB) IS OPEN

To protect the electronic circuits, this model is provided with a fine foil pattern added to the primary on the PWB, this foil pattern acts as a fuse. If the foil pattern is open, follow the troubleshooting guide given below for repair.

Problem: POWER ON, indicator does not light up.

STEPS	OCCURRENCE	CAUSE OR CORRECTION
1	The rated AC voltage is not present between Pin No. 3 of the 2-pin connector (A) and the common terminal of the relay RY2.	Check supply voltage and oven power cord.
2	The rated AC voltage is present at primary side of low voltage transformer.	Low voltage transformer or secondary circuit defective. Check and repair.
3	Only pattern at "a" is broken.	*Insert jumper wire J1 and solder.
4	Pattern at "a" and "b" are broken.	*Insert the coil RCILF2003YAZZ between "c" and "d".

NOTE: *At the time of making these repairs, make a visual inspection of the varistor. Check for burned damage and examine the transformer with a tester for the presence of layer short-circuit (check the primary coil resistance which is approximately $563\Omega \pm 10\%$). If any abnormal condition is detected, replace the defective parts.



TOUCH CONTROL PANEL ASSEMBLY

OUTLINE OF TOUCH CONTROL PANEL

The touch control section consists of the following units.

- (1) Key Unit
- (2) Control Unit (The Control Unit consists of Power Unit and CPU Unit).

The principal functions of these units and the signals communicated among them are explained below.

Key Unit

The key unit is composed of a matrix, signals generated in the LSI are sent to the key unit through P73, P81, P82, P83, P90 and P91.

When a key pad is touched, a signal is completed through the key unit and passed back to the LSI through P60 - P63 to perform the function that was requested.

Control Unit

Control unit consists of LSI, ACL circuit, indicator circuit, power source circuit, relay circuit, buzzer circuit, synchronizing signal circuit, absolute humidity sensor circuit and back light circuit.

1) ACL

This circuit generates a signal which resets the LSI to the initial state when power is supplied.

2) Indicator Circuit

This circuit consists of 12 segments and 3 common electrodes using a Liquid Crystal Display.

3) Power Source Circuit

This circuit generates voltages necessary in the control unit from the AC line voltage.

In addition, the synchronizing signal is available in order to compose a basic standard time in the clock circuit.

Symbol	Voltage	Application
VC	-5.3V	LSI(IC1)

4) Relay Circuit

A circuit to drive the magnetron, fan motor, turntable motor and light the oven lamp.

5) Buzzer Circuit

The buzzer is responsive to signals from the LSI to emit audible sounds (key touch sound and completion sound).

6) Synchronizing Signal Circuit

The power source synchronizing signal is available in order to compose a basic standard time in the clock circuit.

It accompanies a very small error because it works on commercial frequency.

7) Door Sensing Switch

A switch to "tell" the LSI if the door is open or closed.

8) Back Light Circuit

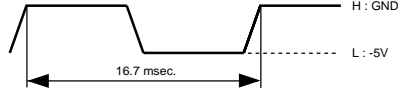
A circuit to drive the back light (Light emitting diodes

DESCRIPTION OF LSI

LSI(IZA758DR)

The I/O signal of the LSI(IZA758DR) is detailed in the following table.

Pin No.	Signal	I/O	Description																												
1-12	SEG0-SEG11	OUT	<p>Segment data signal. Connected to LCD. The relation between signals are as follows:</p> <table style="width: 100%; border-collapse: collapse;"> <thead> <tr> <th style="text-align: left;">LSI signal (Pin No.)</th> <th style="text-align: left;">LCD (Pin No.)</th> <th style="text-align: left;">LSI signal (Pin No.)</th> <th style="text-align: left;">LCD (Pin No.)</th> </tr> </thead> <tbody> <tr> <td>SEG 0 (1)</td> <td>S12</td> <td>SEG 6 (7)</td> <td>S6</td> </tr> <tr> <td>SEG 1 (2)</td> <td>S11</td> <td>SEG 7 (8)</td> <td>S5</td> </tr> <tr> <td>SEG 2 (3)</td> <td>S10</td> <td>SEG 8 (9)</td> <td>S4</td> </tr> <tr> <td>SEG 3 (4)</td> <td>S9</td> <td>SEG 9 (10)</td> <td>S3</td> </tr> <tr> <td>SEG 4 (5)</td> <td>S8</td> <td>SEG 10 (11)</td> <td>S2</td> </tr> <tr> <td>SEG 5 (6)</td> <td>S7</td> <td>SEG 11(12)</td> <td>S1</td> </tr> </tbody> </table>	LSI signal (Pin No.)	LCD (Pin No.)	LSI signal (Pin No.)	LCD (Pin No.)	SEG 0 (1)	S12	SEG 6 (7)	S6	SEG 1 (2)	S11	SEG 7 (8)	S5	SEG 2 (3)	S10	SEG 8 (9)	S4	SEG 3 (4)	S9	SEG 9 (10)	S3	SEG 4 (5)	S8	SEG 10 (11)	S2	SEG 5 (6)	S7	SEG 11(12)	S1
LSI signal (Pin No.)	LCD (Pin No.)	LSI signal (Pin No.)	LCD (Pin No.)																												
SEG 0 (1)	S12	SEG 6 (7)	S6																												
SEG 1 (2)	S11	SEG 7 (8)	S5																												
SEG 2 (3)	S10	SEG 8 (9)	S4																												
SEG 3 (4)	S9	SEG 9 (10)	S3																												
SEG 4 (5)	S8	SEG 10 (11)	S2																												
SEG 5 (6)	S7	SEG 11(12)	S1																												
13	R60	IN	<p>Signal coming from touch key. When either G12 line on key matrix is touched, a corresponding signal out of R73, R81-R83 and R90-R91 will be input into R60. When no key is touched, the signal is held at "H" level.</p>																												
14	R61	IN	<p>Signal similar to R60. When either G11 line on key matrix is touched, a corresponding signal will be input into R61.</p>																												
15	R62	IN	<p>Signal similar to R60. When either G10 line on key matrix is touched, a corresponding signal will be input into R62.</p>																												
16	R63	IN	<p>Signal similar to R60. When either G9 line on key matrix is touched, a corresponding signal will be input into R63.</p>																												
17	AIN0	IN	<p>To input signal which communicates the door open/close information to LSI. Door close "H" level signal (0V). Door open "L" level (-5V)</p>																												
18-20	AIN1-AIN3	IN	<p>Terminal to change functions according to the Model. By using the A/D converter contained in the LSI, DC voltage in accordance with the Model in operation is applied to set up its function.</p>																												
21	VSS	IN	<p>Power source voltage: -5V VSS voltage of power source circuit input.</p>																												
22	R70	OUT	<p>Magnetron high-voltage circuit driving signal. To turn on and off the cook relay (RY2). The signals holds "L" level during microwave cooking and "H" level while not cooking. In other cooking modes (variable cooking) the signal turns to "H" level and "L" level in repetition according to the power level.</p> <div style="text-align: right;"> <p>(ON and OFF times for other power level.)</p> </div>																												
23	PULSE	OUT	<p>Signal to sound buzzer (2.0 kHz). A: key touch sound. B: Completion sound.</p> <div style="text-align: right;"> </div>																												
24	R72	OUT	<p>Oven lamp, fan motor and turntable motor driving signal To turn on and off shut off relay (RY1). The square waveform voltage is delivered to the RY1 driving circuit and RY2 control circuit.</p> <div style="text-align: right;"> </div>																												

Pin No.	Signal	I/O	Description
25	R73	OUT	Key strobe signal. Signal applied to touch-key section. A pulse signal is input to R60 - R63 terminal while one of G8 line keys on key matrix is touched.
26	INT2	IN	Signal synchronized with commercial power source frequency. This is the basic timing for time processing of LSI. 
27	R81	OUT	Key strobe signal. Signal applied to touch-key section. A pulse signal is input to R60 - R63 terminal while one of G7 line keys on key matrix is touched.
28	R82	OUT	Key strobe signal. Signal applied to touch-key section. A pulse signal is input to R60 - R63 terminal while one of G6 line keys on key matrix is touched.
29	R83	OUT	Key strobe signal. Signal applied to touch-key section. A pulse signal is input to R60 - R63 terminal while one of G5 line keys on key matrix is touched.
30	R90	OUT	Key strobe signal. Signal applied to touch-key section. A pulse signal is input to R60 - R63 terminal while one of G4 line keys on key matrix is touched.
31	R91	OUT	Key strobe signal. Signal applied to touch-key section. A pulse signal is input to R60 - R63 terminal while one of G3 line keys on key matrix is touched.
32	R92	OUT	Terminal not used.
33	XIN	IN	Internal clock oscillation frequency setting input. The internal clock frequency is set by inserting the capacitor and resistor circuit with respect to XOUT terminal.
34	XOUT	OUT	Internal clock oscillation frequency control output. Output to control oscillation input of XIN.
35	RESET	IN	Auto clear terminal. Signal is input to reset the LSI to the initial state when power is supplied. Temporarily set to "L" level the moment power is supplied, at this time the LSI is reset. Thereafter set at "H" level.
36	HOLD	IN/OUT	Connected to GND.
37	VLC	IN	Signal synchronized with commercial power source frequency. Signal similar to VSS.
38	COM1	OUT	Common data signal: COM1. Connected to LCD (Pin No. C1)
39	COM2	OUT	Common data signal: COM2. Connected to LCD (Pin No. C2)
40	COM3	OUT	Common data signal: COM1. Connected to LCD (Pin No. C3)
41	COM4	OUT	Terminal not used.
42	VDD	IN	Power source voltage input terminal. Connected to GND.

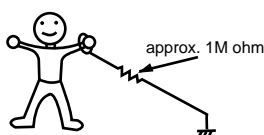
SERVICING

1. Precautions for Handling Electronic Components

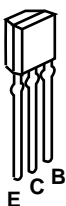
This unit uses CMOS LSI in the integral part of the circuits. When handling these parts, the following precautions should be strictly followed. CMOS LSI have extremely high impedance at its input and output terminals. For this reason, it is easily influenced by the surrounding high voltage power source, static electricity charge in clothes, etc. and sometimes it is not fully protected by the built-in protection circuit.

In order to protect CMOS LSI.

- 1) When storing and transporting, thoroughly wrap them in aluminium foil. Also wrap all PW boards containing them in aluminium foil.
- 2) When soldering, ground the technician as shown in the figure and use grounded soldering iron and work table.



2. Shapes of Electronic Components



Transistor
2SA933S
KRC243M

3. Servicing of Touch Control Panel

We describe the procedures to permit servicing of the touch control panel of the microwave oven and the precautions you must take when doing so. To perform the servicing, power to the touch control panel is available either from the power line of the oven itself or from an external power source.

(1) Servicing the touch control panel with power supply of the oven:

CAUTION:

THE HIGH VOLTAGE TRANSFORMER OF THE MICROWAVE OVEN IS STILL LIVE DURING SERVICING PRESENTS A HAZARD.

Therefore, when checking the performance of the touch control panel, put the outer cabinet on the oven to avoid touching the high voltage transformer, or unplug the primary terminal (connector) of the high voltage transformer to turn it off; the end of such connector must be insulated with an insulating tape. After servicing, be sure to replace the leads to their original locations.

- A. On some models, the power supply cord between the touch control panel and the oven itself is so short that the two can't be separated. For those models, check and

repair all the controls (sensor-related ones included) of the touch control panel while keeping it connected to the oven.

- B. On some models, the power supply cord between the touch control panel and the oven proper is long enough that they may be separated from each other. For those models, therefore, it is possible to check and repair the controls of the touch control panel while keeping it apart from the oven proper; in this case you must short both ends of the door sensing switch (on PWB) of the touch control panel with a jumper, which brings about an operational state that is equivalent to the oven door being closed. As for the sensor-related controls of the touch control panel, checking them is possible if dummy resistor(s) with resistance equal to that of the controls are used.

(2) Servicing the touch control panel with power supply from an external power source:

Disconnect the touch control panel completely from the oven proper, and short both ends of the door sensing switch (on PWB) of the touch control panel, which brings about an operational state that is equivalent to the oven door being closed. Connect an external power source to the power input terminal of the touch control panel, then it is possible to check and repair the controls of the touch control panel it is also possible to check the sensor-related controls of the touch control panel by using the dummy resistor(s).

4. Servicing Tools

Tools required to service the touch control panel assembly.

- 1) Soldering iron: 30W
(It is recommended to use a soldering iron with a grounding terminal.)
- 2) Oscilloscope: Single beam, frequency range: DC-10MHz type or more advanced model.
- 3) Others: Hand tools

5. Other Precautions

- 1) Before turning on the power source of the control unit, remove the aluminium foil applied for preventing static electricity.
- 2) Connect the connectors of the key unit to the control unit being sure that the lead wires are not twisted.
- 3) After aluminium foil is removed, be careful that abnormal voltage due to static electricity etc. is not applied to the input or output terminals.
- 4) Attach connectors, electrolytic capacitors, etc. to PWB, making sure that all connections are tight.
- 5) Be sure to use specified components where high precision is required.

COMPONENT REPLACEMENT AND ADJUSTMENT PROCEDURE

CAUTION: DISCONNECT OVEN FROM POWER SUPPLY BEFORE REMOVING OUTER CASE. DISCHARGE HIGH VOLTAGE CAPACITOR BEFORE TOUCHING ANY OVEN COMPONENTS OR WIRING AFTER REMOVING OUTER CASE.

WARNING FOR WIRING

To prevent an electric shock, take the following manners.

1. Before wiring,
 - 1) Disconnect the power supply.
 - 2) Open the door and wedge the door open.
 - 3) Discharge the high voltage capacitor and wait for 60 seconds.
2. Don't let the wire leads touch to the following parts;
 - 1) High voltage parts:
Magnetron, High voltage transformer, High voltage capacitor and High voltage rectifier assembly.
 - 2) Hot parts:
Oven lamp, Magnetron, High voltage transformer and Oven cavity.
- 3) Sharp edge:
Bottom plate, Oven cavity, Waveguide flange, Chassis support and other metallic plate.
- 4) Movable parts (to prevent a fault)
Fan blade, Fan motor, Switch, Switch lever, Open button.
3. Do not catch the wire leads in the outer case cabinet.
4. Insert the positive lock connector certainly until its pin is locked. And make sure that the wire leads should not come off even if the wire leads is pulled.
5. To prevent an error function, connect the wire leads correctly, referring to the Pictorial Diagram.

OUTER CASE REMOVAL

To remove the components, procedure as follows.

1. Disconnect oven from power supply.
2. Remove four(4) screws from rear and one (1) screw along the right side of case.
3. Slide the entire case back out about 1 inch(3 cm) to free

it from retaining clips on the cavity face plate.

4. Lift entire case from the unit.

CAUTION: DISCONNECT OVEN FROM POWER SUPPLY BEFORE REMOVING OUTER CASE.

POWER TRANSFORMER REMOVAL

1. Disconnect oven from power supply and remove outer case.
2. Discharge high voltage capacitor.
3. Disconnect wire leads from power transformer, magnetron and capacitor terminals.
4. Remove four (4) screws holding transformer to bottom plate right.
5. Remove transformer from bottom plate right.
6. Remove the one (1) terminal insulator and tube from filament lead (longer one) of power transformer.

lead (longer one) of power transformer.

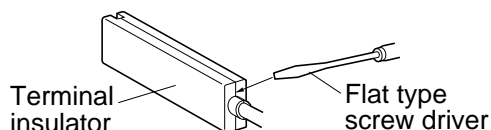
2. Rest transformer on the bottom plate right with its primary terminals toward the oven face plate.
3. Secure transformer with four screws to bottom plate right.
4. Re-connect wire leads (primary and high voltage) to power transformer and filament leads of transformer to magnetron and high voltage capacitor. Refer to "PICTORIAL DIAGRAM".
5. Re-install outer case and check that oven is operating properly.

Re-install

1. Install the terminal insulator to receptacle of filament

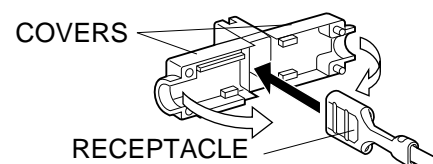
TERMINAL INSULATOR REPLACEMENT

1. Open covers of the terminal insulator by using small flat type screw driver.
2. Remove the receptacle from the terminal insulator.
3. Now, the terminal insulator is free.



Installation

1. Insert the receptacle into terminal insulator.
2. Close covers of the terminal insulator, as shown below.



MAGNETRON REMOVAL

Removal

1. Disconnect oven from power supply and remove outer case.
2. Discharge high voltage capacitor.
3. Disconnect wire leads from magnetron.
4. Remove the one (1) screw holding chassis support to magnetron.
5. Remove the chassis support from oven.
6. Carefully remove the two (2) screws holding magnetron to waveguide flange.
7. Lift up magnetron with care so that magnetron antenna is not hit by any metal object around antenna.
8. Now, the magnetron is free.

Re-install

1. Re-install the magnetron to waveguide flange with the two (2) screws diagonally as shown in Figure C-1.
2. Insert the two (2) tabs of the chassis support to the oven cavity front plate and the back plate.
3. Re-install the chassis support to magnetron with the one (1) screw.

4. Reconnect the wire leads to the magnetron. Refer to "PICTORIAL DIAGRAM".
5. Re-install outer case and check that the oven is operating properly.

CAUTION: WHEN REPLACING MAGNETRON, BE SURE THE R.F. GASKET IS IN PLACE AND MOUNTING SCREWS ARE TIGHTENED SECURELY

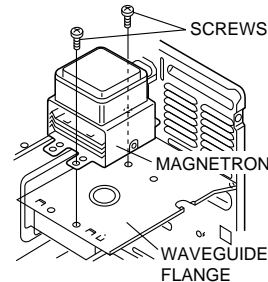


Figure C-1. Magnetron replacement

POWER SUPPLY CORD REPLACEMENT

Removal

1. Disconnect oven from power supply and remove outer case.
2. Discharge high voltage capacitor.
3. Disconnect the white and black wires of the power supply cord from the noise filter.
4. Remove the one (1) screw holding the earth wire of the power supply cord to the bottom plate right.
5. Remove the power supply cord from the oven cavity back plate.

Re-install

1. Insert the power supply cord into the oven cavity back plate.
2. Connect the white and black wires of the power supply cord into the terminal of noise filter, referring to the Pictorial Diagram.
3. Re-install the earth wire of the power supply cord to the bottom plate right with the one (1) screw.

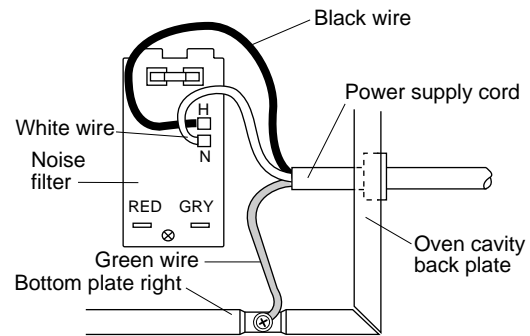


Figure C-2. Power supply cord replacement

HIGH VOLTAGE RECTIFIER AND HIGH VOLTAGE CAPACITOR REMOVAL

1. Disconnect oven from power supply and remove outer case.
2. Discharge high voltage capacitor.
3. Remove the power supply cord, referring the "POWER SUPPLY CORD REPLACEMENT".
4. Disconnect wire leads from the noise filter.
5. Remove one (1) screw holding the noise filter angle to the oven cavity back plate.
6. Remove the noise filter angle with noise filter from the oven cavity back plate.
7. Disconnect the high voltage wire B from the high voltage capacitor.
8. Disconnect the high voltage wire of high voltage rectifier assembly from the magnetron.

9. Remove one (1) screw holding capacitor holder to oven cavity rear plate.
10. Disconnect rectifier terminal from capacitor. High voltage rectifier assembly is now free.
11. Remove one (1) screw holding high voltage rectifier assembly to capacitor holder.
12. Remove capacitor holder. Capacitor is now free.

CAUTION: WHEN REPLACING HIGH VOLTAGE RECTIFIER AND HIGH VOLTAGE CAPACITOR, GROUND SIDE TERMINAL OF THE HIGH VOLTAGE RECTIFIER MUST BE SECURED FIRMLY WITH A GROUNDING SCREW.

OVEN LAMP AND LAMP SOCKET REMOVAL

1. Disconnect oven from power supply and remove outer case.
2. Discharge high voltage capacitor.
3. Bend the tab of the partition angle holding the lamp socket.
4. Lift up the oven lamp socket.
5. Pull the wire leads from the oven lamp socket by pushing the terminal hole of the oven lamp socket with the small flat type screw driver.
6. Now, the oven lamp socket is free.

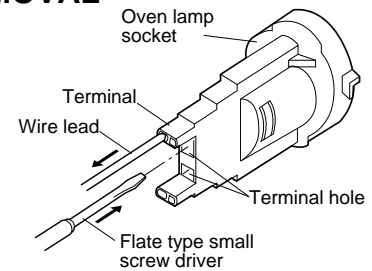


Figure C-3. Oven lamp socket

POSITIVE LOCK® CONNECTOR (NO-CASE TYPE) REMOVAL

Push the lever of positive lock® connector. Pull down on the positive lock® connector.

CAUTION: WHEN YOU CONNECTING THE POSITIVE LOCK® CONNECTORS TO THE TERMINALS, INSTALL THE POSITIVE LOCK® SO THAT THE LEVER FACES YOU

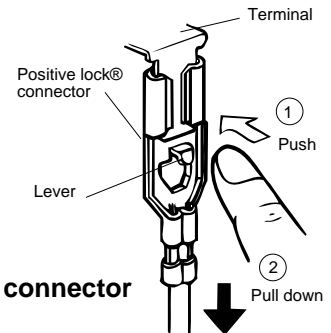


Figure C-4. Positive lock® connector

CONTROL PANEL ASSEMBLY REMOVAL

1. Disconnect oven from power supply and remove outer case.
2. Discharge high voltage capacitor.
3. Disconnect wire leads from the door sensing switch and the oven cavity front flange.
4. Disconnect the wire leads from panel components.
5. Make one (1) tab of the oven cavity front plate straight holding the control panel assembly to the oven flange.
6. Slide the control panel assembly upward and remove it.
7. Now, individual components can be removed.

NOTE: 1. Before attaching a new key unit, wipe off remaining adhesive on the control panel frame surfaces completely with a soft cloth soaked in alcohol.

2. When attaching the key unit to the control panel frame, adjust the upper edge and right edge of the key unit to the correct position of control panel frame.
3. Stick the key unit firmly to the control panel frame by rubbing with soft cloth not to scratch.

CPU UNIT AND POWER UNIT

NOTE: When soldering the CPU unit and the power unit, make sure both the CPU unit and the power unit are parallel, as shown figure C-5.

Handle the CPU unit carefully so that the ribbon cable does not come off. Because the ribbon cable is stuck on the LCD and the printed wiring board only by heated paste.

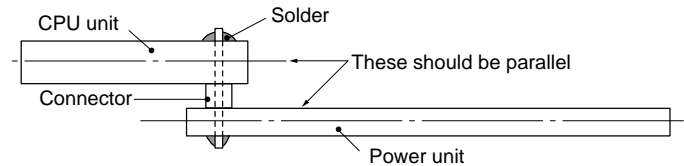


Figure C-5. Side view of CPU unit and Power unit

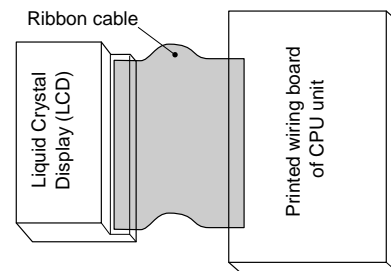


Figure C-6. CPU unit

TURNTABLE MOTOR REMOVAL

1. Disconnect oven from power supply.
2. Remove turntable and turntable support from oven cavity.
3. Lay the oven on it's backside. Remove the turntable motor cover by snipping off the material in four corner.
4. Where the corners have been snipped off bend corner areas flat. No sharp edge must be evident after removal of the turntable motor cover.
5. Disconnect wire leads from turntable motor. (See "Positive lock connector removal")
6. Remove two (2) screws holding turntable motor to oven cavity.
7. Now the turntable motor is free.
8. After replacement use the one (1) screw to fit the turntable motor cover.

COOLING FAN MOTOR REMOVAL

1. Disconnect oven from power supply and remove outer case.
2. Discharge high voltage capacitor.
3. Disconnect the wire leads from the fan motor.
4. Remove one (1) screw holding the chassis support to magnetron. And remove chassis support.
5. Release the snap of the main wire harness from the fan duct.
6. Remove one (1) screw holding the fan duct assembly to oven cavity.
7. Release the main wire harness from the hole of the fan duct.
8. Release the fan duct from the waveguide flange.
9. Release the fan duct assembly from the oven cavity.
10. Remove the fan blade from the fan motor shaft according the following procedure.
 - 1) Hold the edge of the rotor of the fan motor by using a pair of groove joint pliers.

CAUTION:

- * **Make sure that any pieces do not enter the gap between the rotor and the stator of the fan motor because the rotor is easily shaven by pliers and metal pieces may be produced.**
 - * **Do not touch the pliers to the coil of the fan motor because the coil may be cut or injured.**
 - * **Do not disfigure the bracket by touching with the pliers.**
- 2) Remove the fan blade from the shaft of the fan motor by pulling and rotating the fan blade with your hand.
 - 3) Now, the fan blade will be free.

CAUTION:

- * **Do not reuse the removed fan blade because the hole (for shaft) may be larger than normal.**
11. Remove the two (2) screws holding the fan motor to the

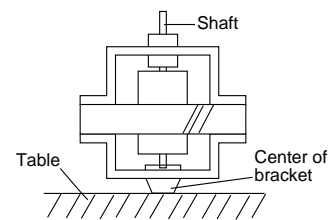
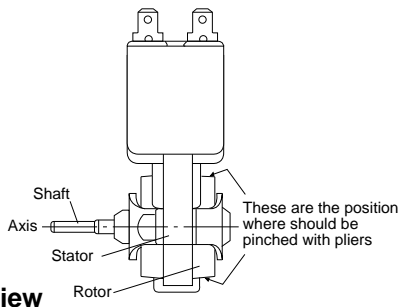
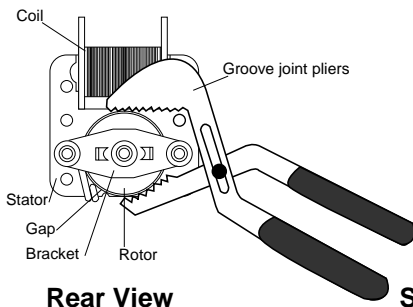
- fan duct.
12. Now, the fan motor is free.

INSTALLATION

1. Install the fan motor to the fan duct with the two (2) screws.
2. Install the fan blade to the fan motor shaft according the following procedure.
 - 1) Hold the center of the bracket which supports the shaft of the fan motor on the flat table.
 - 2) Apply the screw lock tight into the hole (for shaft) of the fan blade.
 - 3) Install the fan blade to the shaft of fan motor by pushing the fan blade with a small, light weight, ball peen hammer or rubber mallet.

CAUTION:

- * **Do not hit the fan blade strongly when installed because the bracket may be disfigured.**
 - * **Make sure that the fan blade rotates smooth after installation.**
 - * **Make sure that the axis of the shaft is not slanted.**
3. Catch three holes of fan duct on three tabs of the waveguide flange.
 4. Install the fan duct assembly to the oven cavity with the one (1) screw.
 5. Insert the snap of the main wire harness to the hole of the fan duct and insert the main wire harness into the hole of the fan duct.
 6. Install one (1) tab of the chassis support to oven cavity front plate and install another tab of it to rear plate. And then screw chassis support to magnetron with one (1) screw.
 7. Connect the wire leads to the fan motor, referring to the pictorial diagram.



DOOR SENSING / THIRD DOOR/ PRIMARY INTERLOCK AND MONITOR SWITCHES REMOVAL

1. Disconnect oven from power supply and remove outer case.
2. Discharge high voltage capacitor.
3. Disconnect wire leads from the switches.
4. Remove two (2) screws holding latch hook to oven flange.
5. Remove latch hook assembly from oven flange.
6. Push outward on the two (2) retaining tabs holding switch in place.
7. Switch is now free.
At this time switch lever will be free, do not lose it.

Re-install

1. Re-install each switch lever and interlock switch in its place. The primary interlock switch is in the lower position and the door sensing switch is in the upper position. The third door switch is in the lower position at the back of the latch hook. The monitor switch is in the upper position of the primary interlock switch.
2. Re-connect wire leads to each switch.
Refer to pictorial diagram.
3. Secure latch hook (with two (2) mounting screws) to oven flange.
4. Make sure that the monitor switch is operating properly and check continuity of the monitor circuit. Refer to chapter "Test Procedure" and Adjustment procedure.

DOOR SENSING / THIRD DOOR/ PRIMARY INTERLOCK AND MONITOR SWITCHES ADJUSTMENT

If the door sensing switch, primary interlock switch, third door switch and monitor switch do not operate properly due to a misadjustment, the following adjustment should be made.

1. Loosen the two (2) screws holding latch hook to the oven cavity front flange.
2. With door closed, adjust latch hook by moving it back and forth, and up and down. In and out play of the door allowed by the upper and lower position of the latch hook should be less than 0.5mm. The vertical position of the latch hook should be adjusted so that the door sensing switch, primary interlock switch and third door switch are activated with the door closed. The horizontal position of the latch hook should be adjusted so that the plunger of the monitor switch is pressed with the door closed.
3. Secure the screws with washers firmly.
4. Check the all switches operation. If each switch has not activated with the door closed, loosen screw and adjust the latch hook position.

After adjustment, check the following.

1. In and out play of door remains less than 0.5mm when in the latched position. First check upper position of latch hook, pushing and pulling upper portion of door toward the oven face. Then check lower portion of the latch hook, pushing and pulling lower portion of the door toward the oven face. Both results(play in the door)

should be less than 0.5mm.

2. The door sensing switch, third door switch and primary interlock switch interrupt the circuit before the door can be opened.
3. Monitor switch contacts close when door is opened.
4. Re-install outer case and check for microwave leakage around door with an approved microwave survey meter. (Refer to Microwave Measurement Procedure.)

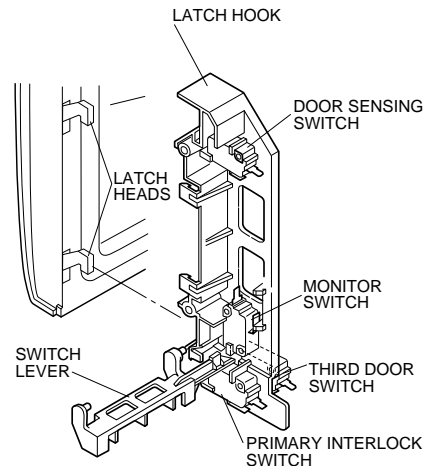


Figure C-7. Latch Switch Adjustments

DOOR REPLACEMENT

REMOVAL

1. Disconnect oven from power supply.
2. Push the open button and open the door slightly.
3. Insert an putty knife (thickness of about 0.5mm) into the gap between the door stopper and the choke cover to free engaging parts as shown in Figure C-8.
4. Try the principles of the lever and lift up the door stopper.
5. Now, the door stopper is free from the door assembly.
6. Release two (2) pins of door panel from two (2) holes of upper and lower oven hinges by lifting up.
7. Now, door assembly is free from oven cavity.
8. Insert an putty knife (thickness of about 0.5mm) into the gap between the choke cover and door frame as shown in Figure C-8 to free engaging parts.
9. Try the principles of the lever and lift up the choke cover by inserting a putty knife as shown Figure C-8.
10. Release choke cover from door panel.
11. Now choke cover is free.

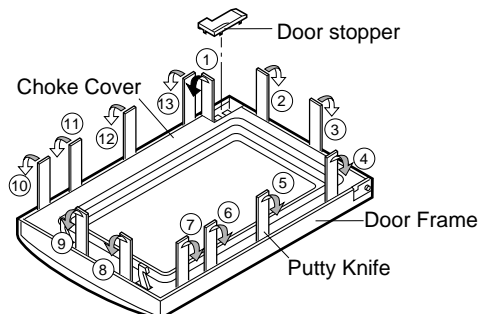


Figure C-8. Door Disassembly

12. Release door panel from nine (9) tabs of door frame by sliding door panel downward.

13. Now, door panel with sealer film is free.
14. Tear sealer film from door panel.
15. Now, door panel is free.
16. Slide latch head upward and remove it from door frame with releasing latch spring from door frame and latch head.
17. Now, latch head and latch spring are free.
18. Remove door screen from door frame by releasing two (2) tabs.
19. Now, door screen is free.

RE-INSTALL

1. Re-install door screen to door frame by fitting two (2) tabs of door frame to two (2) holes of door screen.
2. Re-install the latch spring to the latch head. Re-install the latch spring to the door frame. Re-install latch head to door frame.
3. Re-install door panel to door frame by fitting nine (9) tabs of door frame to nine (9) holes of door panel.
4. Hold the door panel to the door frame by sliding the door panel upward.
5. Put sealer film on door panel. Refer to "Sealer Film" about how to handle new one.
6. Re-install choke cover to door panel by pushing.
7. Catch two (2) pins of door panel on two (2) hole of upper and lower oven hinges.
8. Re-install the door stopper to the door assembly.

Note: After any service to the door;

- (A) Make sure that door sensing switch and secondary interlock switch are operating properly. (Refer to chapter "Test Procedures".)
- (B) An approved microwave survey meter should be used to assure compliance with proper microwave

radiation emission limitation standards.

After any service, make sure of the following :

1. Door latch heads smoothly catch latch hook through latch holes and that latch head goes through center of latch hole.
2. Deviation of door alignment from horizontal line of cavity face plate is to be less than 1.0mm.
3. Door is positioned with its face pressed toward cavity face plate.
4. Check for microwave leakage around door with an approved microwave survey meter. (Refer to Microwave Measurement Procedure.)

Note: The door on a microwave oven is designed to act as an electronic seal preventing the leakage of microwave energy from oven cavity during cook cycle. This function does not require that door be air-tight, moisture (condensation)-tight or light-tight. Therefore, occasional appearance of moisture, light or sensing of gentle warm air movement around oven door is not abnormal and do not of themselves, indicate a leakage of microwave energy from oven cavity.

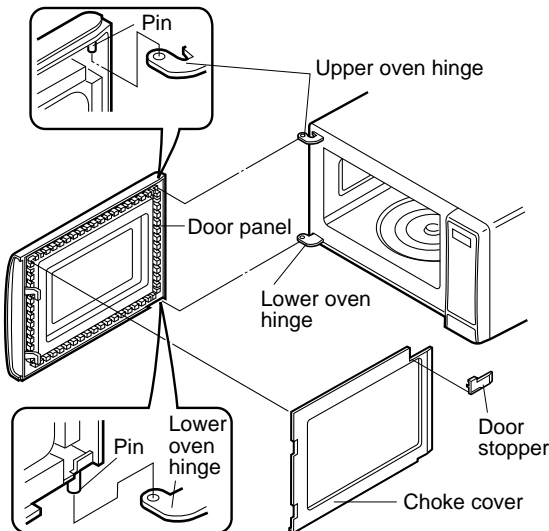


Figure C-9. Door Replacement

SEALER FILM

Installation

1. Put the adhesive tape on the backing film of the sealer film as shown in Fig. C-10.
2. Tear the backing film by pulling the adhesive tape.
3. Put the pasted side of the sealer film on the door panel

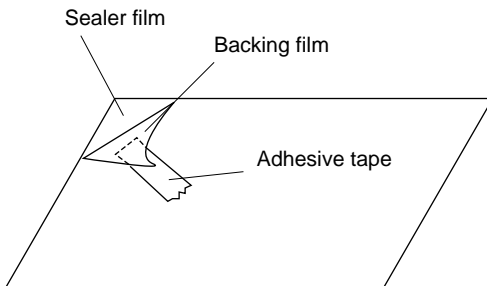
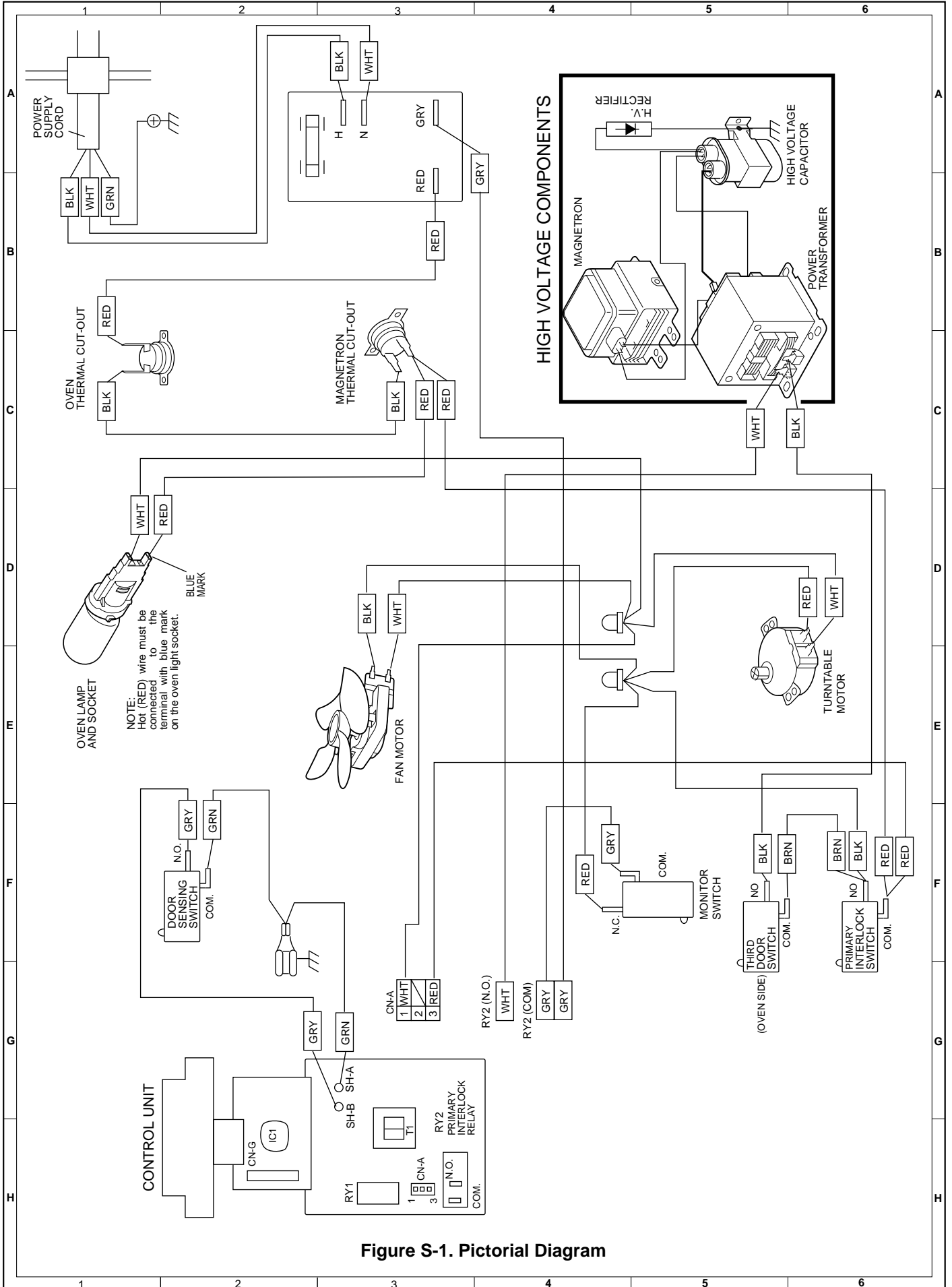


Figure C-10. Sealer film



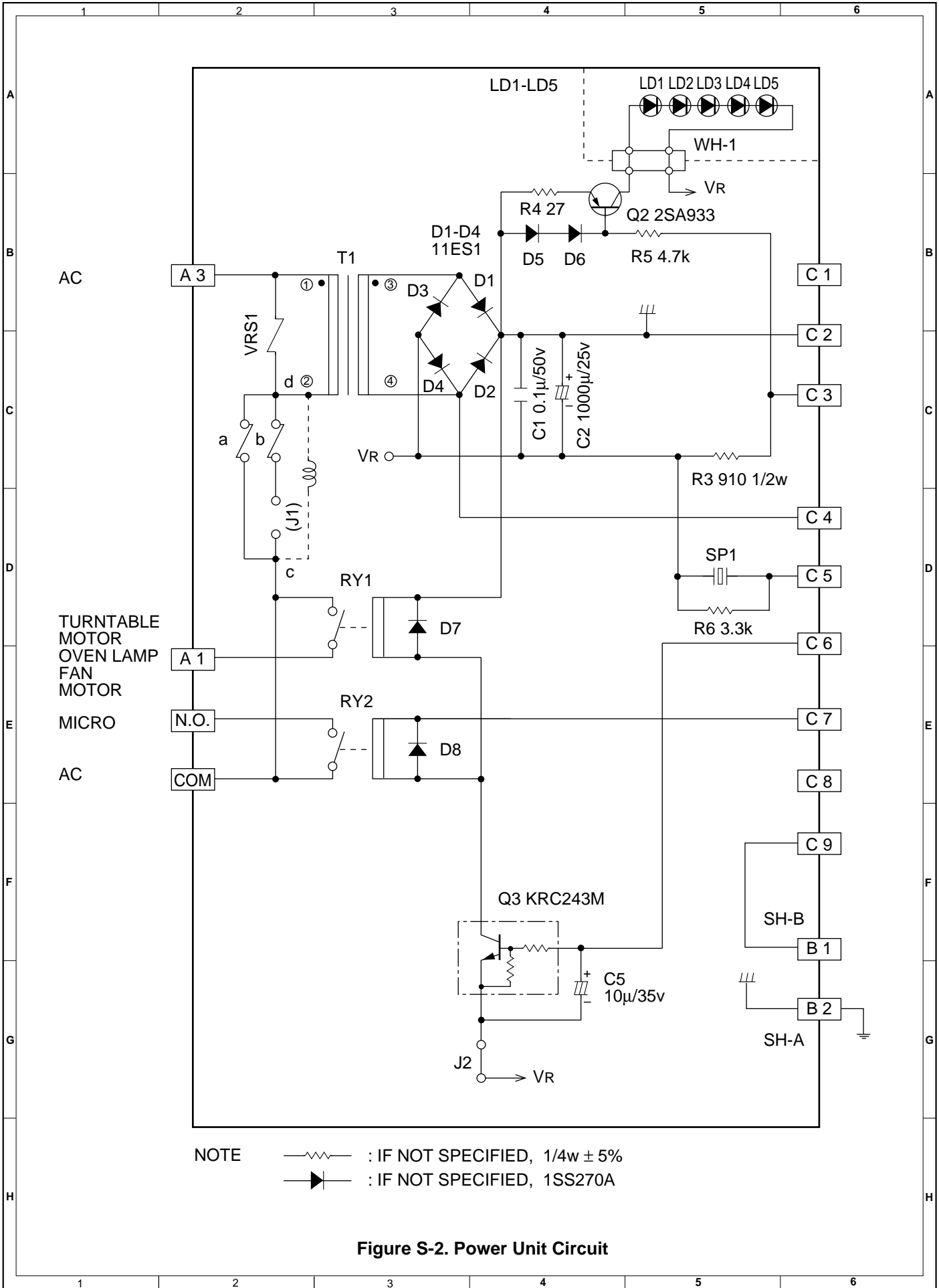


Figure S-2. Power Unit Circuit

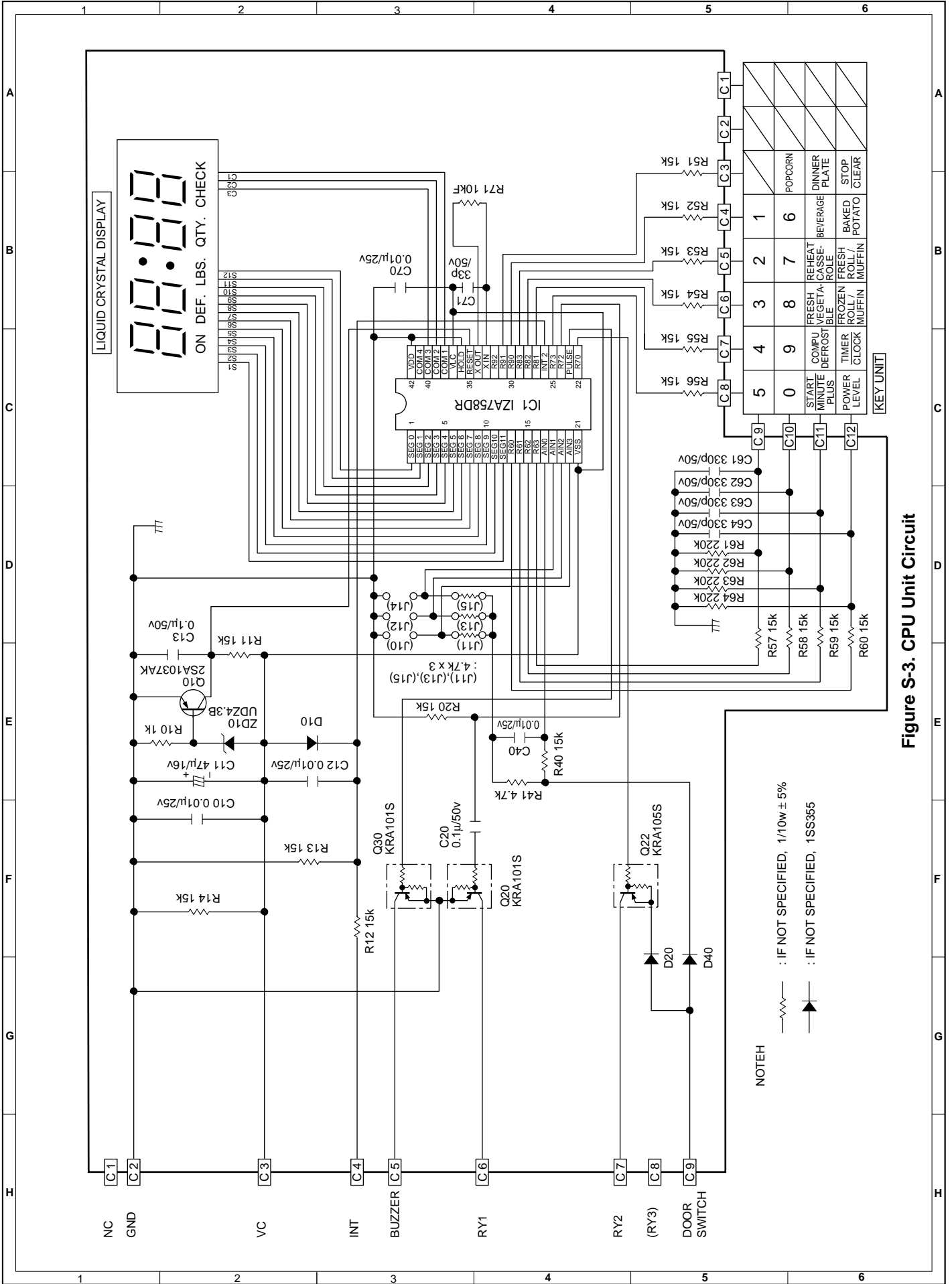


Figure S-3. CPU Unit Circuit

NOTEH
 — : IF NOT SPECIFIED, 1/10w ± 5%
 ▲ : IF NOT SPECIFIED, 1SS355

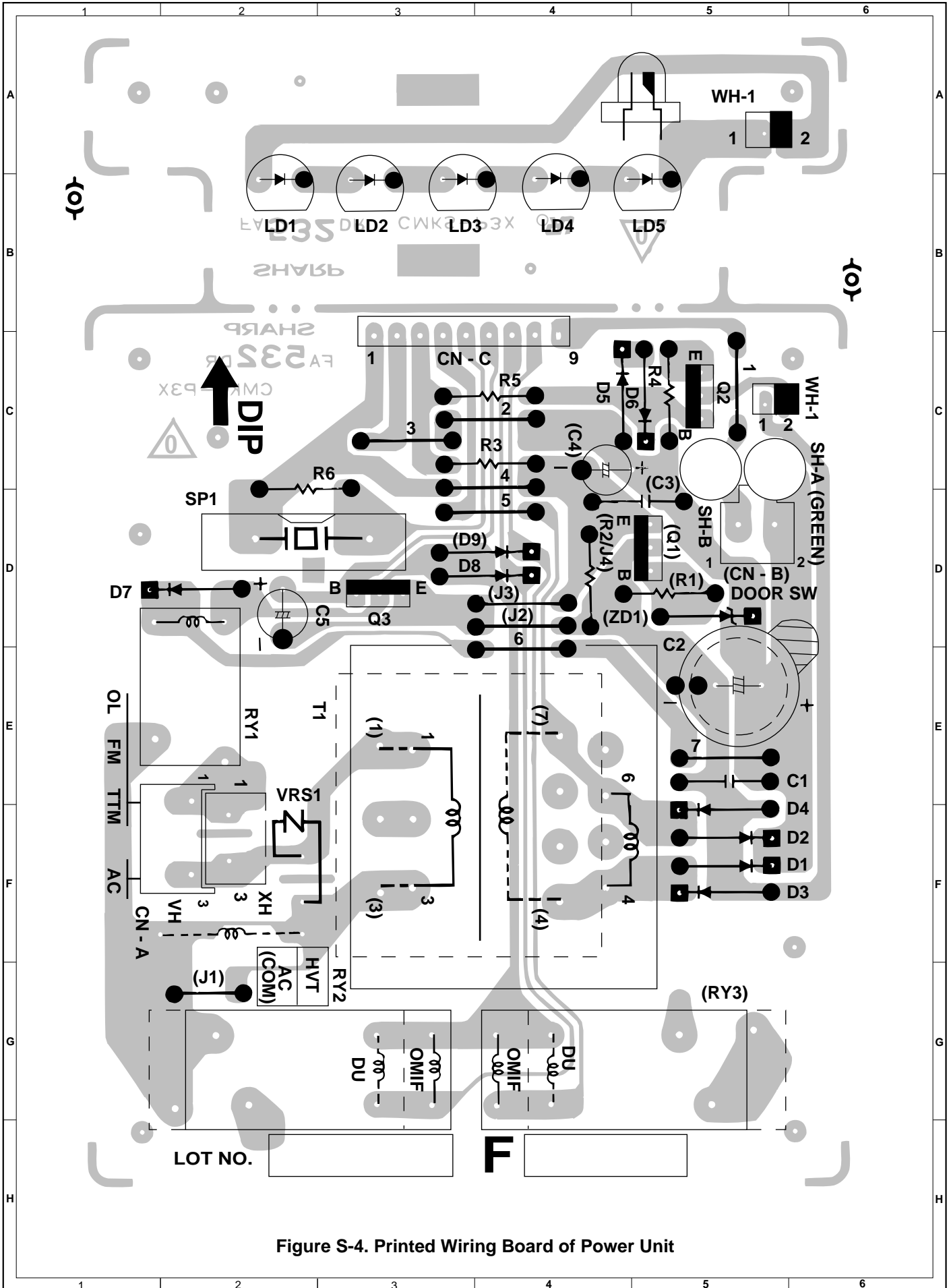


Figure S-4. Printed Wiring Board of Power Unit

PARTS LIST

REF. NO.	PART NO.	DESCRIPTION	Q'TY	CODE
----------	----------	-------------	------	------

ELECTRIC PARTS

1- 1	QSW-MA110WRE0	2nd interlock switch, door sensing switch & third door switch	3	AK
1- 2	FPWBFA293WRK0	Noise filter	1	AX
1- 3	FFS-BA012WRK0	Monitor fuse and monitor switch assembly	1	AH
1- 4	RTHM-A078WRE0	Thermal cut-out 125 deg.	1	AL
1- 5	FACCDAA074WRE0	Power supply cord	1	AW
1- 6	FH-DZA075WRK0	High voltage rectifier assembly	1	AS
1- 7	RC-QZA173WRE0	High voltage capacitor	1	AX
1- 8	RV-MZA197WRE0	Magnetron	1	BN
1- 8	RV-MZA222WRE0	Magnetron (Interchangeable)	1	BN
1- 9	RMOTEA338WRE0	Fan motor	1	AV
1-10	QSOCLA021WRE0	Oven lamp socket	1	AH
1-11	RLMPTA030WRE0	Oven lamp	1	AF
1-12	RMOTDA161WRE0	Turtable motor	1	AU
1-13	RTHM-A079WRE0	Thermal cut-out 95 deg.	1	AL
1-14	RTRN-A512WRE0	Power transformer	1	BM

CABINET PARTS

2- 1	GCABUA631WRP0	Outer case cabinet [R-312AK]	1	BB
2- 1	GCABUA608WRP0	Outer case cabinet [R-312AW]	1	BB
2- 2	GDAI-A261WRW0	Bottom plate left	1	AP
2- 3	FDAI-A189WRY0	Bottom plate right	1	AX
2- 4	GLEGPA019WRE0	Foot	2	AD
2- 5	GLEGPA067WRF0	Leg	1	AE

CONTROL PANEL PARTS

3- 1	CPWBFA736WRK0	Power unit	1	BB
3- 1A	QCNCMA244DRE0	2-pin connector (CN-A)	1	AB
3- 1B	QCNCMA422DRE0	9-pin connector (CN-C)	1	AF
3- 1C	FW-VZA195DRE0	Switch harness A (SH-A)	1	AD
3- 1D	FW-VZA197DRE0	Switch harness B (SH-B)	1	AD
3- 1E	FW-VZA196DRE0	Lead wire harness (WH-1)	1	AD
3- 1F	LHLD-A171WRF0	LED holder	1	AE
C1	RC-KZA087DRE0	Capacitor 0.1uF 50V	1	AB
C2	VCEAB31EW108M	Capacitor 1000uF 25V	1	AE
C5	VCEAB31VW106M	Capacitor 10uF 35V	1	AA
D1-4	VHD11ES1///-1	Diode (11ES1)	4	AB
D5-8	VHD1SS270A/-1	Diode (1SS270ATA)	4	AA
LD1-5	VHPSLZ381A9-3	Light emitting diode	5	AC
Q2	VS2SA933S// -3	Transistor (2SA933)	1	AB
Q3	VSKRC243M// -3	Transistor (KRC243M)	1	AB
R3	VRD-B12HF911J	Resistor 910 ohm 1/2W	1	AA
R4	VRD-B12EF270J	Resistor 27 ohm 1/4W	1	AA
R5	VRD-B12EF472J	Resistor 4.7k ohm 1/4W	1	AA
R6	VRD-B12EF332J	Resistor 3.3k ohm 1/4W	1	AA
RY1	RRLY-A021DRE0	Relay (OJSH112LM-UL)	1	AH
RY2	RRLY-A094DRE0	Relay (OMIF-S-112LM)	1	AN
SP1	RALM-A014DRE0	Buzzer (PKM22EPT-THAI)	1	AG
T1	RTRNPA110DRE0	Transformer	1	AN
VRS1	RH-VZA032DRE0	Varistor (10G471K)	1	AE
3- 2	DPWBFB611WRK0	CPU unit	1	BA
3- 3	FPNLCA277WRK0	Control panel frame with key unit [R-312AW]	1	BC
3- 3	FPNLCA281WRK0	Control panel frame with key unit [R-312AK]	1	BC
3- 3- 1	FUNTKA792WRE0	Key unit [R-312AW]	1	AY
3- 3- 1	FUNTKA795WRE0	Key unit [R-312AK]	1	AZ
3- 4	PSHEPA588WRE0	LED sheet	1	AM
3- 5	JBTN-B028WRF0	Open button [R-312AK]	1	AG
3- 5	JBTN-B029WRF0	Open button [R-312AW]	1	AG
3- 6	MSPRCA050WRE0	Open button spring	1	AB
3- 7	XEPSD30P08XS0	Screw: 3mm x 8mm	4	AA

OVEN PARTS

4- 1	LANGQA456WRP0	Noise filter angle	1	AG
4- 2	LSTPPA162WRF0	Door stopper	1	AE
4- 3	PHOK-A095WRF0	Latch hook	1	AN
4- 4	LBNDKA099WRW0	Capacitor holder	1	AD
4- 5	NFANJA029WRE0	Fan blade	1	AL
4- 6	PDUC-A652WRP0	Fan duct	1	AU
4- 7	FOVN-A386WRT0	Oven cavity	1	BM
4- 8	LANGFA180WRW0	Chassis support	1	AM
4- 9	LANGQA452WRP0	Partition angle	1	AK

REF. NO.	PART NO.	DESCRIPTION	Q'TY	CODE
4-10	LANGQA454WRP0	MG thermo angle	1	AH
4-11	MLEVPA194WRF0	Switch lever	1	AG
4-12	NCPL-A045WRF0	Coupling	1	AH
4-13	PCUSGA385WRP0	Cushion	1	AK
4-14	PCOVPA275WRE0	Waveguide cover	1	AR
4-15	PCUSGA339WRP0	Cushion	1	AG
4-16	PCUSUA212WRP0	Cushion	1	AB
4-17	PCUSUA235WRP0	Cushion	1	AF
4-18	PCUSUA376WRP0	Cushion	1	AG
4-19	PCUSGA399WRE0	Cushion	1	AG
4-20	PPACGA084WRF0	TTM packing	1	AF
4-21	PCOVPA328WRP0	Safety cover side	1	AF
4-22	PCOVPA330WRP0	Thermo cover	1	AF

DOOR PARTS

5	CDORFA754WRK0	Door assembly [R-312AK]	1	BH
5	CDORFA758WRK0	Door assembly [R-312AW]	1	BG
5- 1	FDORFA303WRT0	Door panel	1	BA
5- 2	PSHEPA382WRE0	Sealer film	1	AH
5- 3	GWAKPA448WRR0	Door frame [R-312AK]	1	AW
5- 3	GWAKPA458WRR0	Door frame [R-312AW]	1	AY
5- 4	HPNL-A662WRE0	Door screen [R-312AK]	1	AK
5- 4	HPNL-A663WRR0	Door screen [R-312AW]	1	AL
5- 5	GCOVHA370WRF0	Choke cover	1	AM
5- 6	LSTPPA139WRF0	Latch head	1	AF
5- 7	MSPRTA084WRE0	Latch spring	1	AB
5- 8	PCUSUA481WRP0	Cushion	1	AB
5- 9	PCUSUA452WRP0	Cushion	1	AB
5-10	XCPDSD40P08000	Screw : 4mm x 8mm	1	AA
5-11	XCPDSD40P08WN2	Screw : 4mm x 8mm	1	AC

MISCELLANEOUS

6- 1	FROLPA079WRK0	Turntable support	1	AQ
6- 2	NTNT-A084WRE0	Turntable tray	1	AR
6- 3	FW-VZB584WRE0	Main wire harness	1	AW
6- 4	QW-QZA150WRE0	High voltage wire B	1	AF
6- 5	PZET-A012WRE0	Terminal insulator	1	AB
6- 6	TCAUAA233WRR0	User caution label	1	AC
6- 7	TCAUAA234WRR0	Monitor caution label	1	AC
6- 8	TCADCA630WRR0	Instruction book	1	AF
6- 9	TSPCNC468WRR0	Rating label [R-312AK]	1	AC
6- 9	TSPCNC469WRR0	Rating label [R-312AW]	1	AC
6-10	LHLDWA012WRE0	Purse lock L	1	AB
6-11	PZET-A032WRE0	Terminal insulator	2	AD
6-12	TCAUAA235WRR0	Service caution	1	AC

SCREWS,NUTS AND WASHERS

7- 1	XFPSD40P08K00	Screw : 4mm x 8mm	10	AA
7- 2	XFPSD30P06000	Screw : 3mm x 6mm	1	AA
7- 3	XHTSD40P08RV0	Screw : 4mm x 8mm	4	AA
7- 4	XOTSF40P08000	Screw : 4mm x 8mm [R-312AK]	1	AA
7- 4	XOTSE40P08000	Screw : 4mm x 8mm [R-312AW]	1	AA
7- 5	XOTSD40P12RV0	Screw : 4mm x 12mm	8	AA
7- 6	XOTSD40P12000	Screw : 4mm x 12mm	12	AA
7- 7	XOTSD40P08000	Screw : 4mm x 8mm	2	AA

HOW TO ORDER REPLACEMENT PARTS

To have your order filled promptly and correctly, please furnish the following information.

1. MODEL NUMBER 2. REF. NO. 3. PART NO. 4. DESCRIPTION

Order Parts from the authorized SHARP parts Distributor for your area.

Defective parts required return should be returned as indicated in the Service Policy.

INFORMATION FOR PARTS CHANGE

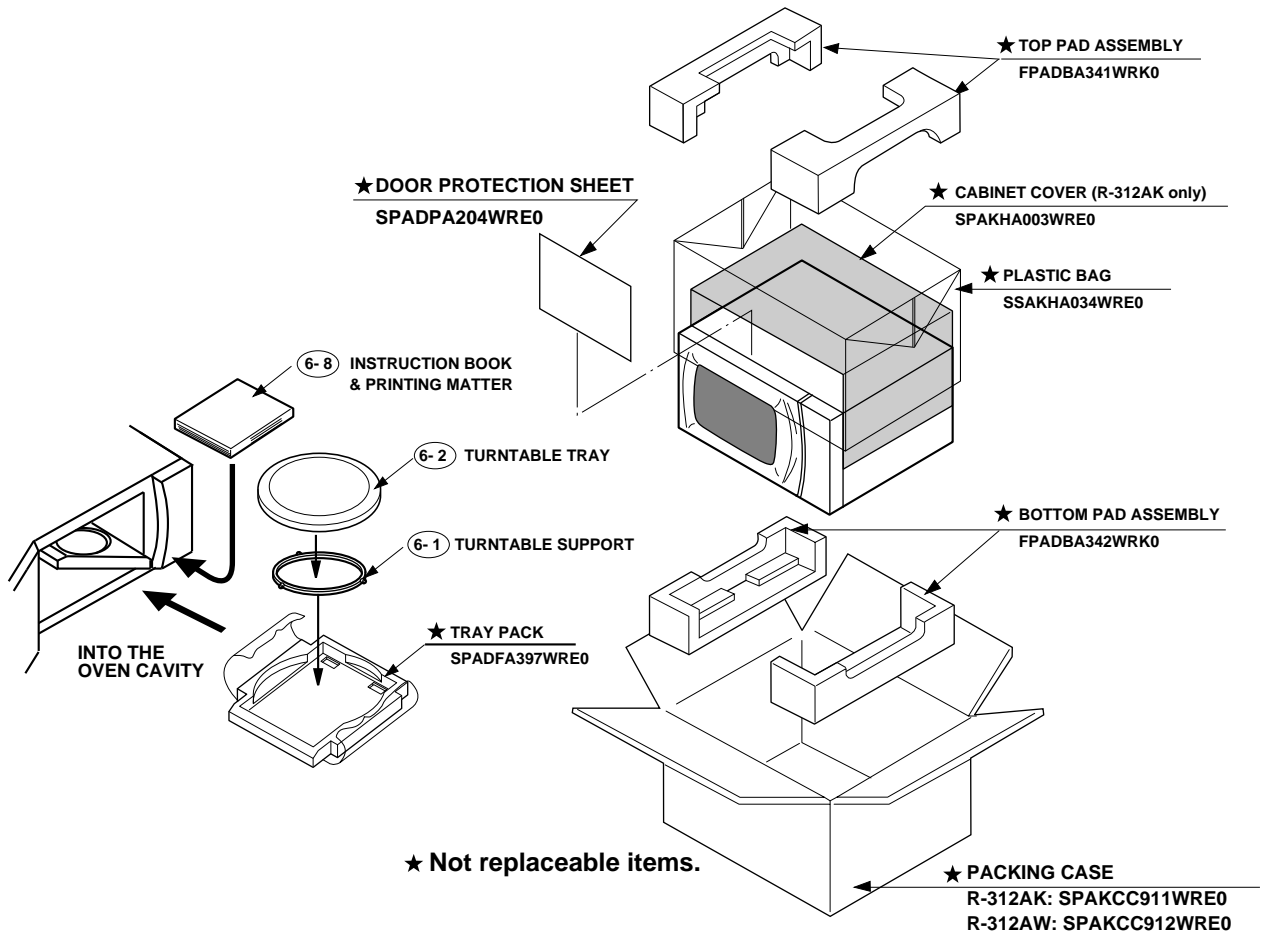
The instruction book will be changed from June 1997 production (Serial number from 9706xxxxx).

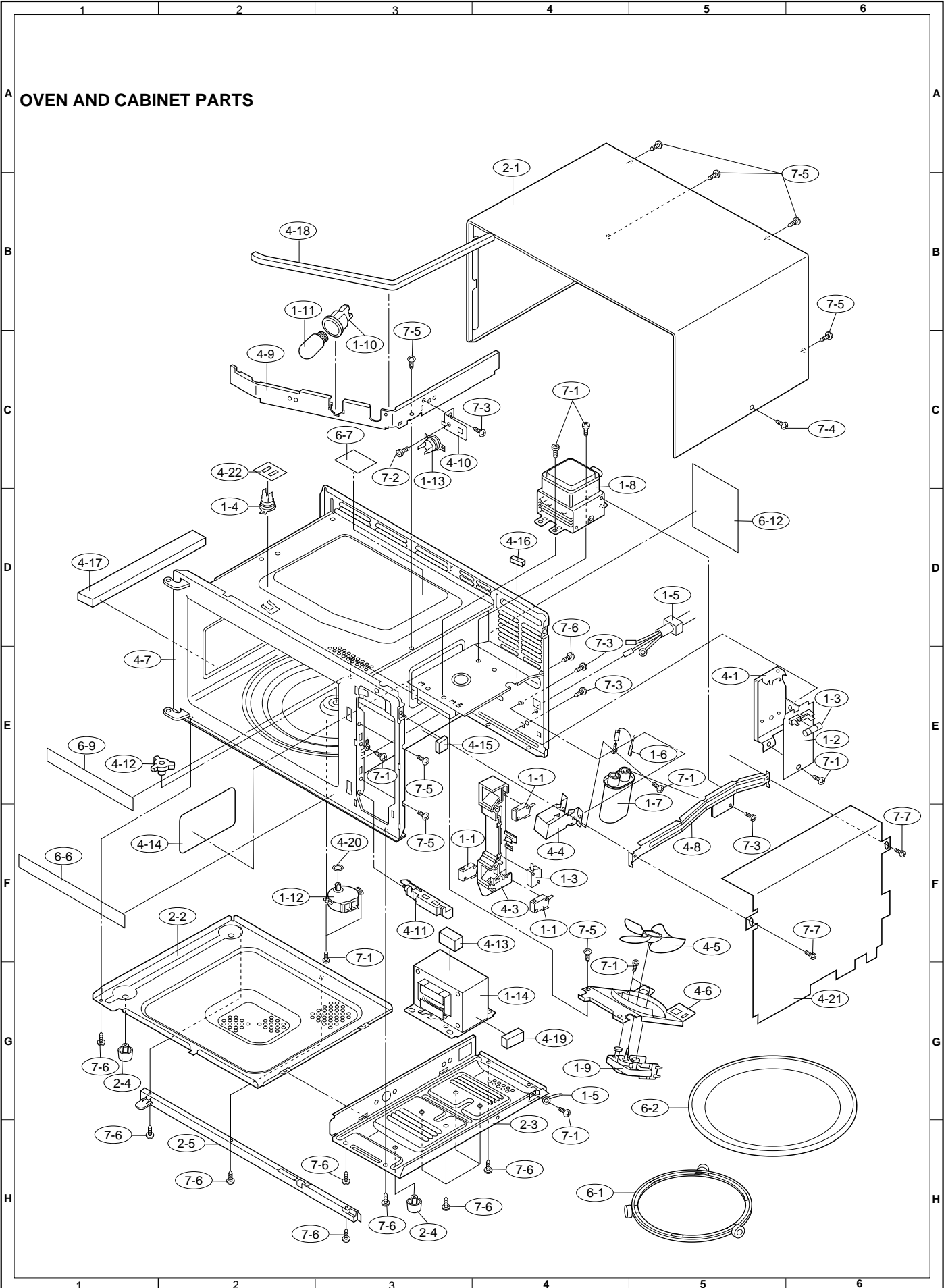
Interchangeability

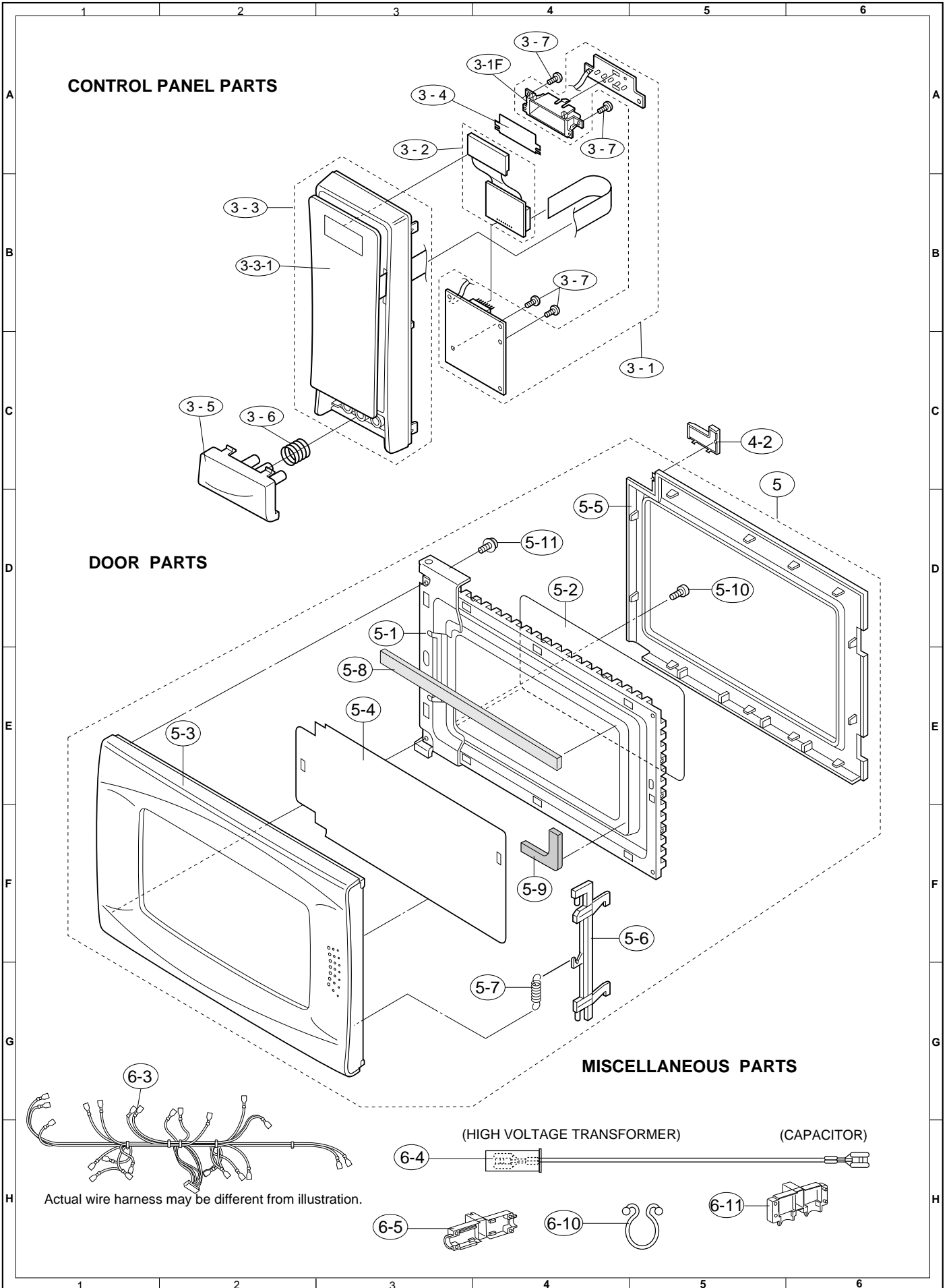
A. OLD ↔ NEW B. OLD → NEW C. OLD ← NEW D. OLD × NEW

REF.NO.	DESCRIPTION	REPLACEMENT PART NO.				Interchangeability	EFFECTIVE FROM	CODE
		OLD No.	Q'ty	NEW No.	Q'ty			
6- 8	Instruction book	TCADCA630WRR0	1	TCADCA642WRR0	1	A	June/'97	

PACKING AND ACCESSORIES







SHARP