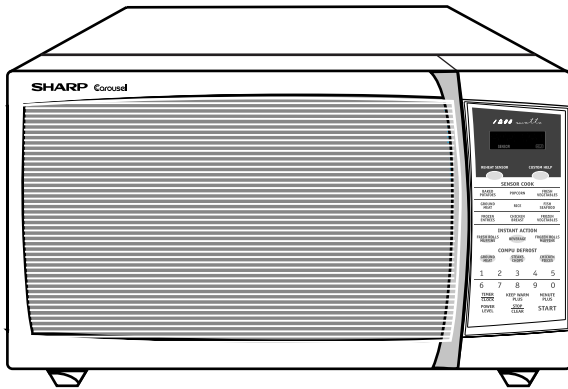


SHARP

SUPPLEMENTAL SERVICE MANUAL

S91M175R425EE



R-425EW

MICROWAVE OVEN

MODEL **R-425EW**

This is a supplemental Service Manual for Microwave Oven model R-425EW. This model is quite similar to the base model; R-420EK (S61M167R420EE).

This supplemental manual must be used in conjunction with the base model service manual for complete operation, service, safety and replacement parts information.

In the interest of user-safety the oven should be restored to its original condition and only parts identical to those specified should be used.

WARNING TO SERVICE PERSONNEL: Microwave ovens contain circuitry capable of producing very high voltage and current, contact with following parts may result in a severe, possibly fatal, electrical shock. (High Voltage Capacitor, High Voltage Power Transformer, Magnetron, High Voltage Rectifier Assembly, High Voltage Harness etc..)

TABLE OF CONTENTS

	Page
PRECAUTIONS TO BE OBSERVED BEFORE AND DURING SERVICING TO AVOID POSSIBLE EXPOSURE TO EXCESSIVE MICROWAVE ENERGY	INSIDE FRONT COVER
BEFORE SERVICING	INSIDE FRONT COVER
WARNING TO SERVICE PERSONNEL	1
MICROWAVE MEASUREMENT PROCEDURE	2
FOREWORD AND WARNING	3
PRODUCT SPECIFICATIONS	4
GENERAL INFORMATION	4
OPERATION	6
TOUCHCONTROL PANEL	8
PARTS LIST	9
PACKING AND ACCESSORIES	13

SHARP ELECTRONCS CORPORATION

This document has been published to be used for after sales service only.

The contents are subject to change without notice.

Service Headquarters: Sharp Plaza, Mahwah, New Jersey, 07430-2135

PRECAUTIONS TO BE OBSERVED BEFORE AND DURING SERVICING TO AVOID POSSIBLE EXPOSURE TO EXCESSIVE MICROWAVE ENERGY

- (a) Do not operate or allow the oven to be operated with the door open.
- (b) Make the following safety checks on all ovens to be serviced before activating the magnetron or other microwave source, and make repairs as necessary: (1) interlock operation, (2) proper door closing, (3) seal and sealing surfaces (arcing, wear, and other damage), (4) damage to or loosening of hinges and latches, (5) evidence of dropping or abuse.
- (c) Before turning on microwave power for any service test or inspection within the microwave generating compartments, check the magnetron, wave guide or transmission line, and cavity for proper alignment, integrity, and connections.
- (d) Any defective or misadjusted components in the interlock, monitor, door seal, and microwave generation and transmission systems shall be repaired, replaced, or adjusted by procedures described in this manual before the oven is released to the owner.
- (e) A microwave leakage check to verify compliance with the Federal Performance Standard should be performed on each oven prior to release to the owner.

BEFORE SERVICING

Before servicing an operative unit, perform a microwave emission check as per the Microwave Measurement Procedure outlined in this service manual.

If microwave emissions level is in excess of the specified limit, contact SHARP ELECTRONICS CORPORATION immediately @1-800-237-4277.

If the unit operates with the door open, service person should 1) tell the user not to operate the oven and 2) contact SHARP ELECTRONICS CORPORATION and Food and Drug Administration's Center for Devices and Radiological Health immediately.

Service personnel should inform SHARP ELECTRONICS CORPORATION of any certified unit found with emissions in excess of $4\text{mW}/\text{cm}^2$. The owner of the unit should be instructed not to use the unit until the oven has been brought into compliance.

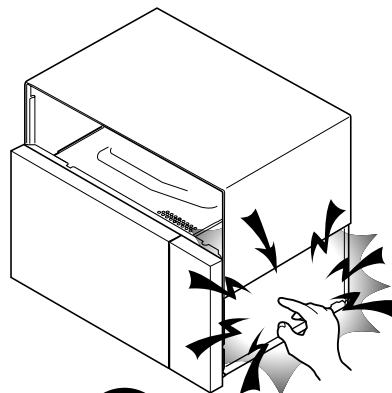
WARNING TO SERVICE PERSONNEL

Microwave ovens contain circuitry capable of producing very high voltage and current, contact with following parts may result in a severe, possibly fatal, electrical shock.

(Example)

High Voltage Capacitor, High Voltage Power Transformer, Magnetron, High Voltage Rectifier Assembly, High Voltage Harness etc..


Read the Service Manual carefully and follow all instructions.



**Don't Touch !
Danger High Voltage**

Before Servicing



1. Disconnect the power supply cord , and then remove outer case.
2. Open the door and block it open.
3. Discharge high voltage capacitor.

WARNING: RISK OF ELECTRIC SHOCK. DISCHARGE THE HIGH-VOLTAGE CAPACITOR BEFORE SERVICING.

The high-voltage capacitor remains charged about 60 seconds after the oven has been switched off. Wait for 60 seconds and then short-circuit the connection of the high-voltage capacitor (that is the connecting lead of the high-voltage rectifier) against the chassis with the use of an insulated screwdriver.

Whenever troubleshooting is performed the power supply must be disconnected. It may in, some cases, be necessary to connect the power supply after the outer case has been removed, in this event,

1. Disconnect the power supply cord, and then remove outer case.
2. Open the door and block it open.
3. Discharge high voltage capacitor.
4. Disconnect the leads to the primary of the power transformer.
5. Ensure that the leads remain isolated from other components and oven chassis by using insulation tape.
6. After that procedure, reconnect the power supply cord.

When the testing is completed,

1. Disconnect the power supply cord, and then remove outer case.
2. Open the door and block it open.
3. Discharge high voltage capacitor.
4. Reconnect the leads to the primary of the power transformer.
5. Reinstall the outer case (cabinet).
6. Reconnect the power supply cord after the outer case is installed.
7. Run the oven and check all functions.

After repairing

1. Reconnect all leads removed from components during testing.
2. Reinstall the outer case (cabinet).
3. Reconnect the power supply cord after the outer case is installed.
4. Run the oven and check all functions.

Microwave ovens should not be run empty. To test for the presence of microwave energy within a cavity, place a cup of cold water on the oven turntable, close the door and set the power to HIGH and set the microwave timer for two (2) minutes. When the two minutes has elapsed (timer at zero) carefully check that the water is now hot. If the water remains cold carry out **Before Servicing** procedure and re-examine the connections to the component being tested.

When all service work is completed and the oven is fully assembled, the microwave power output should be checked and a microwave leakage test should be carried out.

MICROWAVE MEASUREMENT PROCEDURE

A. Requirements:

- 1) Microwave leakage limit (Power density limit): The power density of microwave radiation emitted by a microwave oven should not exceed 1 mW/cm² at any point 5cm or more from the external surface of the oven, measured prior to acquisition by a purchaser, and thereafter (through the useful life of the oven), 5 mW/cm² at any point 5cm or more from the external surface of the oven.
- 2) Safety interlock switches: primary interlock relay and door sensing switch shall prevent microwave radiation emission in excess of the requirement as above mentioned. Secondary interlock switch shall prevent microwave radiation emission in excess of 5 mW/cm² at any point 5cm or more from the external surface of the oven.

B. Preparation for testing:

Before beginning the actual measurement of leakage, proceed as follows:

- 1) Make sure that the actual instrument is operating normally as specified in its instruction booklet.

Important:

Survey instruments that comply with the requirement for instrumentation as prescribed by the performance standard for microwave ovens, 21 CFR 1030.10(c)(3)(i), must be used for testing.

- 2) Place the oven tray in the oven cavity.
- 3) Place the load of 275±15 ml (9.8 oz) of tap water initially at 20±5° C (68°F) in the center of the oven cavity.
The water container shall be a low form of 600 ml (20 oz) beaker with an inside diameter of approx. 8.5 cm (3-1/2 in.) and made of an electrically nonconductive material such as glass or plastic.
The placing of this standard load in the oven is important not only to protect the oven, but also to insure that any leakage is measured accurately.
- 4) Set the cooking control on Full Power Cooking Mode.
- 5) Close the door and select a cook cycle of several minutes. If the water begins to boil before the survey is completed, replace it with 275 ml of cool water.

C. Leakage test:

Closed-door leakage test (microwave measurement):

- 1) Grasp the probe of the survey instrument and hold it perpendicular to the gap between the door and the body of the oven.
- 2) Move the probe slowly, not faster than 1 in./sec. (2.5 cm/sec.) along the gap, watching for the maximum indication on the meter.
- 3) Check for leakage at the door screen, sheet metal seams and other accessible positions where the continuity of the metal has been breached (eg., around the switches, indicator, and vents).
While testing for leakage around the door, pull the door away from the front of the oven as far as is permitted by the closed latch assembly.
- 4) Measure carefully at the point of highest leakage and make sure that the highest leakage is no greater than 4mW/cm², and that the secondary interlock switch does turn the oven OFF before any door movement.

NOTE: After servicing, record data on service invoice and microwave leakage report.

SHARP

SUPPLEMENTAL SERVICE MANUAL

MICROWAVE OVEN

R-425EW

FOREWORD

This Manual has been prepared to provide Sharp Electronics Corp. Service Personnel with Operation and Service Information for the SHARP MICROWAVE OVEN, R-425EW.

The model R-425EW is quite similar to base model R-420EK (Ref.# S61M167R420EE).

It is recommended that service personnel carefully study the entire text of this manual and the base model's manual so that they will be qualified to render satisfactory customer service.

Check the interlock switches and the door seal carefully. Special attention should be given to avoid electrical shock and microwave radiation hazard.

WARNING

Never operate the oven until the following points are ensured:

- (A) The door is tightly closed.
- (B) The door brackets and hinges are not defective.
- (C) The door packing is not damaged.
- (D) The door is not deformed or warped.
- (E) There is no other visible damage with the oven.

Servicing and repair work must be carried out only by trained service personnel.

DANGER

Certain initial parts are intentionally not grounded and present a risk of electrical shock only during servicing. Service personnel - Do not contact the following parts while the appliance is energized;

**High Voltage Capacitor, Power Transformer, Magnetron, High Voltage Rectifier Assembly, High Voltage Harness;
If provided, Vent Hood, Fan assembly, Cooling Fan Motor.**

All the parts marked "*" on parts list are used at voltages more than 250V.

Removal of the outer wrap gives access to voltage above 250V.

All the parts marked "Δ" on parts list may cause undue microwave exposure, by themselves, or when they are damaged, loosened or removed.

PRODUCT DESCRIPTION

GENERAL INFORMATION

OPERATION

TROUBLESHOOTING GUIDE AND TEST PROCEDURE

TOUCH CONTROL PANEL

COMPONENT REPLACEMENT AND ADJUSTMENT PROCEDURE

WIRING DIAGRAM

PARTS LIST

SHARP ELECTRONICS CORPORATION

SHARP PLAZA, MAHWAH,
NEW JERSEY 07430-2135

SPECIFICATION

ITEM	DESCRIPTION
Power Requirements	120 Volts / 13.8 Amperes/1650Watts 60 Hertz Single phase, 3 wire grounded
Power Output	1200 watts (IEC TEST PROCEDURE) Operating frequency of 2450MHz
Case Dimensions	Width 21-21/32" Height 12-3/8" Depth 18-7/16"
Cooking Cavity Dimensions 1.6 Cubic Feet	Width 15-23/32" Height 9-21/32" Depth 17-7/8" Tray Size 14-1/8" Diameter
Control Complement	Touch Control System Clock (1:00 - 12:59) Timer (0 - 99 min. 99 seconds) Microwave Power for Variable Cooking Repetition Rate; P-HI Full power throughout the cooking time P-90 approx. 90% of Full Power P-80 approx. 80% of Full Power P-70 approx. 70% of Full Power P-60 approx. 60% of Full Power P-50 approx. 50% of Full Power P-40 approx. 40% of Full Power P-30 approx. 30% of Full Power P-20 approx. 20% of Full Power P-10 approx. 10% of Full Power P-0 No power throughout the cooking time Reheat Sensor & Custom Help Pad, Sensor Cooking Pads, Instant Action Pads Beverage, Compu Defrost pads, Number Selection Pad, Timer/Clock pad, Minute Plus Pad, Power Level Pad, Stop/Clear Pad, Start Touch on Pad.
Oven Cavity Light	Yes
Safety Standard	UL Listed FCC Authorized DHHS Rules, CFR, Title 21, Chapter 1, Subchapter J

GENERAL INFORMATION

GROUNDING INSTRUCTIONS

This oven is equipped with a three prong grounding plug. It must be plugged into a wall receptacle that is properly installed and grounded in accordance with the National Electrical Code and local codes and ordinances.

In the event of an electrical short circuit, grounding reduces the risk of electric shock by providing an escape wire for the electric current.

WARNING: Improper use of the grounding plug can result in a risk of electric shock.

Electrical Requirements

The electrical requirements are a 120 volt 60 Hz, AC only,

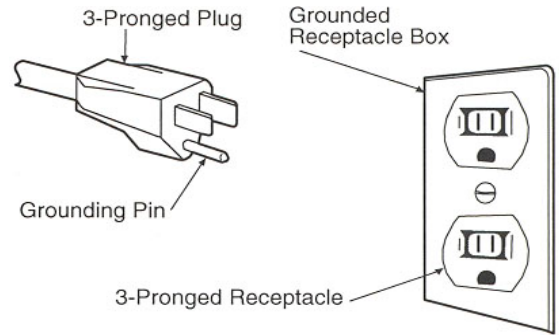
15 or 20 amp. fused electrical supply. It is recommended that a separate circuit serving only this appliance be provided. When installing this appliance, observe all applicable codes and ordinances.

A short power-supply cord is provided to reduce risks of becoming entangled in or tripping over a longer cord.

Where a two-pronged wall-receptacle is encountered, it is the personal responsibility and obligation of the customer to contact

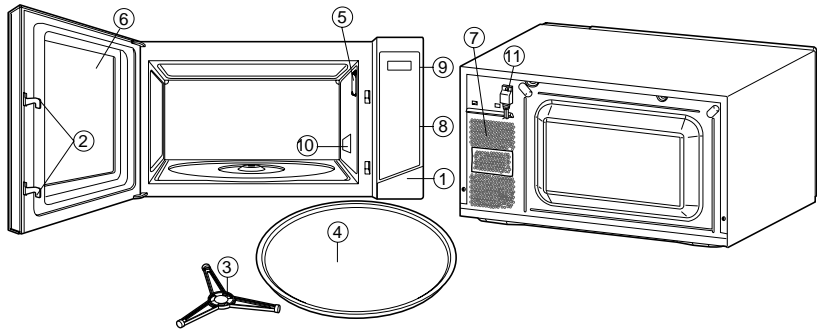
a qualified electrician and have it replaced with a properly grounded three-pronged wall receptacle or have a grounding adapter properly grounded and polarized. If the extension cord must be used, it should be a 3-wire, 15 amp. or higher rated cord. Do not drape over a countertop or table where it can be pulled on by children or tripped over accidentally.

CAUTION: DO NOT UNDER ANY CIRCUMSTANCES CUT OR REMOVE THE ROUND GROUNDING PRONG FROM THIS PLUG.



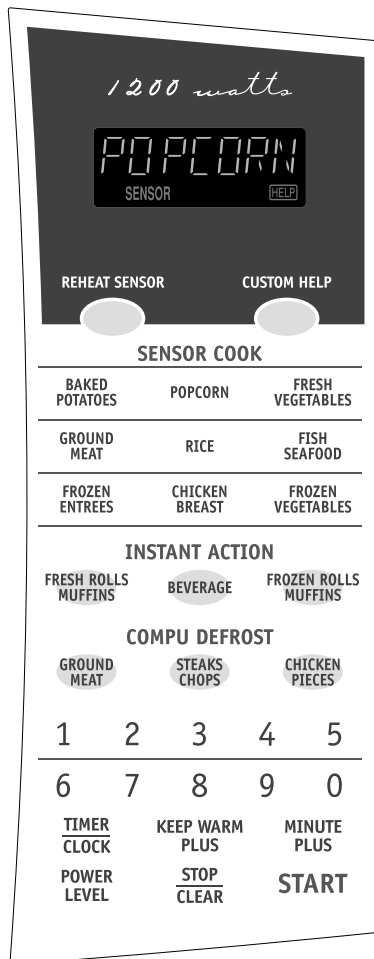
OVEN DIAGRAM

1. One touch door open button.
Push to open door.
2. Door latches.
The oven will not operate unless the door is securely closed.
3. Removable turntable support.
The turntable will rotate clockwise or counterclockwise.
4. Removable turntable.
It will light when oven is operating or door is opened.
6. Oven door with see-through window.
7. Ventilation openings. (Rear)
8. Auto-Touch control panel.
9. Time display: Digital display, 99 minutes 99 seconds.



10. Wave guide cover.
11. Power supply cord

TOUCH CONTROL PANEL



NOTE:
Some one-touch cooking features as "MINUTE PLUS" are disabled after three minutes when the oven is not used. These features are automatically enabled when the door is opened and closed or the STOP/ CLEAR pad is pressed.

OPERATION

DESCRIPTION OF OPERATING SEQUENCE

The following is a description of component functions during oven operation.

OFF CONDITION

Closing the door activates the door sensing switch and secondary interlock switch. (In this condition, the monitor switch contacts are opened.)

When oven is plugged in, 120 volts A.C. is supplied to the control unit. (Figure O-1).

- The display will show "SHARP SIMPLY THE BEST PRESS CLEAR AND PRESS CLOCK".
To set any program or set the clock, you must first touch the STOP/CLEAR pad. The display will clear, and " : " will appear.

COOKING CONDITION

Program desired cooking time by touching the NUMBER pads. Program the power level by touching the POWER LEVEL pad.

When the START pad is touched, the following operations occur:

- The contacts of relays are closed and components connected to the relays are turned on as follows.
(For details, refer to Figure O-2)

RELAY	CONNECTED COMPONENTS
RY-1	oven lamp/turntable motor/fan motor
RY-2	power transformer

- 120 volts A.C. is supplied to the primary winding of the power transformer and is converted to about 3.3 volts A.C. output on the filament winding, and approximately 2370 volts A.C. on the high voltage winding.
- The filament winding voltage heats the magnetron filament and the H.V. winding voltage is sent to a voltage doubler circuit.
- The microwave energy produced by the magnetron is channelled through the waveguide into the cavity feed-box, and then into the cavity where the food is placed to be cooked.
- Upon completion of the cooking time, the power transformer, oven lamp, etc. are turned off, and the generation of microwave energy is stopped. The oven will revert to the OFF condition.
- When the door is opened during a cook cycle, the monitor switch, door sensing switch, secondary interlock switch, relay (RY1) and primary interlock relay are activated with the following results. The circuits to the turntable motor, the cooling fan motor, and the high voltage components are de-energized, the oven lamp remains on, and the digital read-out displays the time still remaining in the cook cycle when the door was opened.
- The monitor switch electrically monitors the operation of

the secondary interlock switch and primary interlock relay and is mechanically associated with the door so that it will function in the following sequence.

- When the door opens from the closed position, the primary interlock relay (RY2) and secondary interlock switch open their contacts. And contacts of the relay (RY1) remains closed. Then the monitor switch contacts close.
- When the door is closed from the open position, the monitor switch contacts open first. Then the contacts of the secondary interlock switch and door sensing switch close. And contacts of the relay (RY1) open.

If the secondary interlock switch and primary interlock relay (RY2) fail with the contacts closed when the door is opened, the closing of the monitor switch contacts will form a short circuit through the monitor fuse, secondary interlock switch, relay (RY1) and primary interlock relay (RY2), causing the monitor fuse to blow.

POWER LEVEL P-0 TO P-90 COOKING

When Variable Cooking Power is programmed, the 120 volts A.C. is supplied to the power transformer intermittently through the contacts of relay (RY-2) which is operated by the control unit within a 32 second time base. Microwave power operation is as follows:

VARI-MODE	ON TIME	OFF TIME
Power 10(P-HI) (100% power)	32 sec.	0 sec.
Power 9(P-90) (approx. 90% power)	30 sec.	2 sec.
Power 8(P-80) (approx. 80% power)	26 sec.	6 sec.
Power 7(P-70) (approx. 70% power)	24 sec.	8 sec.
Power 6(P-60) (approx. 60% power)	22 sec.	10 sec.
Power 5(P-50) (approx. 50% power)	18 sec.	14 sec.
Power 4(P-40) (approx. 40% power)	16 sec.	16 sec.
Power 3(P-30) (approx. 30% power)	12 sec.	20 sec.
Power 2(P-20) (approx. 20% power)	8 sec.	24 sec.
Power 1(P-10) (approx. 10% power)	6 sec.	26 sec.
Power 0(P-0) (0% power)	0 sec.	32 sec.

Note: The ON/OFF time ratio does not correspond with the percentage of microwave power, because approx. 2 seconds are needed for heating of the magnetron filament.

SCHEMATIC
NOTE: CONDITION OF OVEN
 1. DOOR CLOSED
 2. CLOCK APPEARS ON DISPLAY

Note:* Indicates components with potential above 250V

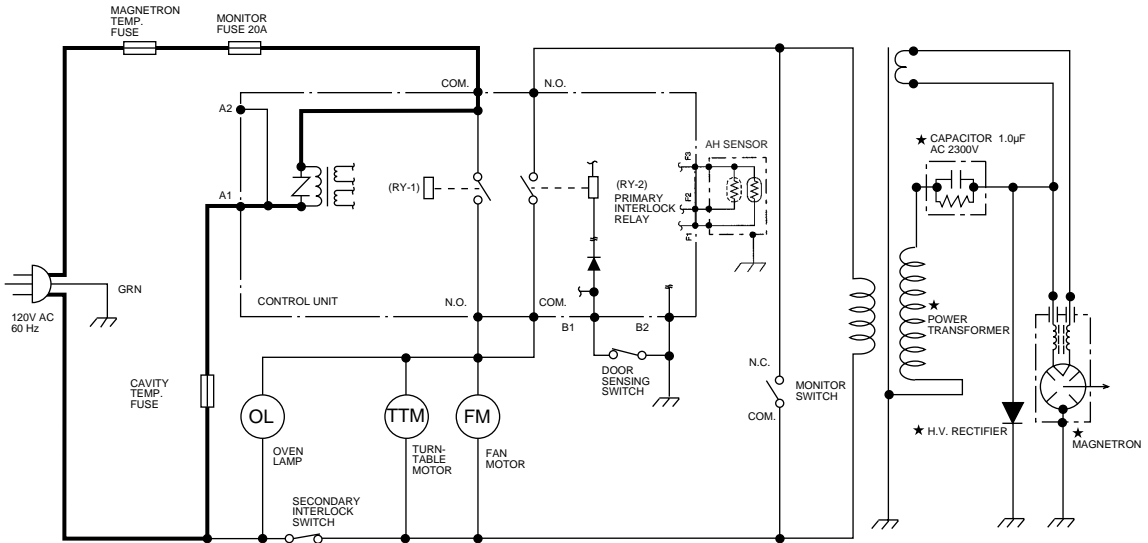


Figure O-1 Oven Schematic - Off Condition

SCHEMATIC
NOTE: CONDITION OF OVEN
 1. DOOR CLOSED
 2. COOKING TIME PROGRAMMED
 3. VARIABLE COOKING CONTROL "HIGH"
 4. "START" PAD TOUCHED

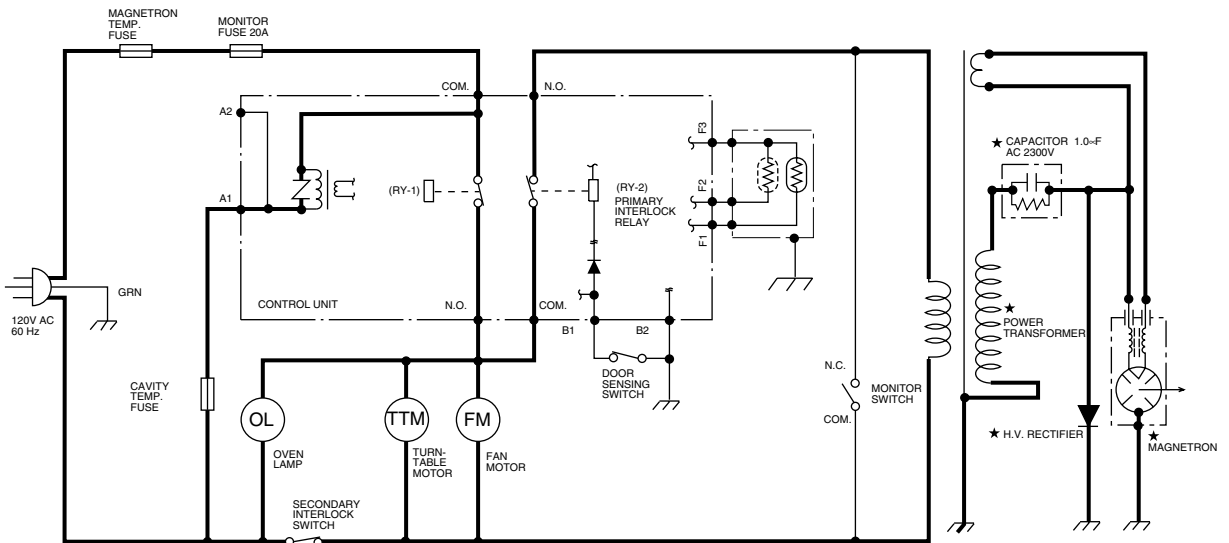


Figure O-2 Oven Schematic - Cooking Condition

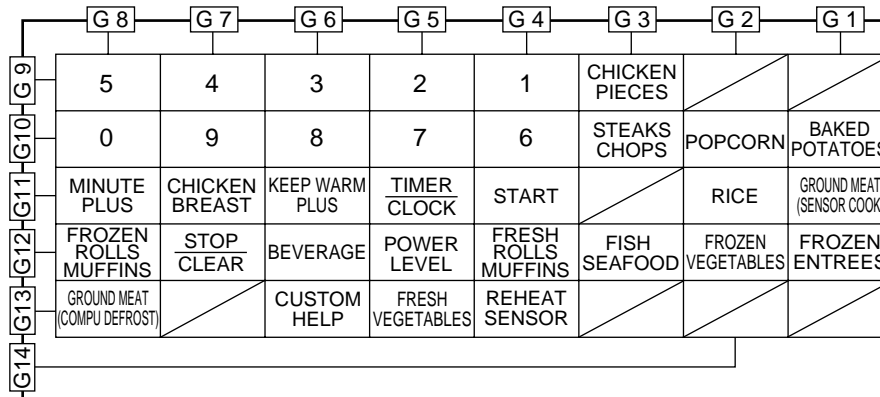
TEST PROCEDURES

PROCEDURE
LETTER

COMPONENT TEST

J KEY UNIT TEST

1. Disconnect the power supply cord, and then remove outer case.
2. Open the door and block it open.
3. Discharge high voltage capacitor.
4. If the display fails to clear when the STOP/CLEAR pad is depressed, first verify the flat ribbon cable is making good contact, verify that the door sensing switch (stop switch) operates properly; that is the contacts are closed when the door is closed and open when the door is open. If the door sensing switch (stop switch) is good, disconnect the flat ribbon cable that connects the key unit to the control unit and make sure the door sensing switch is closed (either close the door or short the door sensing switch connector). Use the Key unit matrix indicated on the control panel schematic and place a jumper wire between the pins that correspond to the STOP/CLEAR pad making momentary contact. If the control unit responds by clearing with a beep the key unit is faulty and must be replaced. If the control unit does not respond, it is faulty and must be replaced. If a specific pad does not respond, the above method may be used (after clearing the control unit) to determine if the control unit or key pad is at fault.
5. Reconnect all leads removed from components during testing.
6. Re-install the outer case (cabinet).
7. Reconnect the power supply cord after the outer case is installed.
8. Run the oven and check all functions.



Key Unit

PARTS LIST

Note: The parts marked "Δ" may cause undue microwave exposure.

The parts marked "*" are used in voltage more than 250V. "§" MARK: PARTS DELIVERY SECTION.

REF. NO.	PART NO.	§	DESCRIPTION	Q'TY	CODE
----------	----------	---	-------------	------	------

ELECTRIC PARTS

* 1- 1	RC-QZB018MRE0	M	High voltage capacitor	1	AQ
* 1- 2	FH-DZB008MRY0	M	High voltage rectifier assembly	1	AM
1- 3	QSOCLB006MRE0	M	Oven lamp socket	1	AE
1- 4	RLMPTA068WRE0	M	Oven lamp	1	AE
1- 5	RMOTEA346WRE0	M	Fan motor	1	AR
1- 6	QFSHDB003MRE0	M	Fuse holder	1	AD
1- 7	FFS-BA016/KIT	M	Monitor switch (V-16G-2C25) and fuse assembly (20A 250V AC)	1	AF
1- 8	QSW-MA085WRE0	M	Secondary interlock switch and door sensing switch (V-16G-3C25)	2	AE
1- 9	QFS-TA013WRE0	M	Magnetron temperature fuse 150°C	1	AE
1-10	QFS-TA014WRE0	M	Cavity temperature fuse 150°C	1	AF
Δ 1-11	RV-MZA255WRE0	M	Magnetron	1	BE
1-12	RMOTDA211/KIT	M	Turntable motor	1	AL
1-13	RTRN-B064MRE0	M	Power transformer	1	BD
* 1-14	FACCCDB003MRE0	M	Power supply cord	1	AM
1-15	FDTCTA198WRK0	M	AH sensor	1	AN

CABINET PARTS

2- 1	GDAI-B057MRP0A	M	Base plate	1	AR
2- 2	GLEGPB004MRF0	M	Foot	4	AB
2- 3	GCABUB093MRP0	M	Outer case cabinet	1	AW

CONTROL PANEL PARTS

3- 1	DPWBFB098MRU0	M	Power supply	1	BL
3- 1A	QCNCMA446DRE0	J	2-pin connector (CN-A)	1	AC
3- 1B	QCNCMA275DRE0	J	2-pin connector (CN-B)	1	AB
3- 1C	FW-VZB146MRE0	M	12Pin wire harness (CN-C)	1	AG
C2	VCEAB31VW108M	J	Capacitor 1000 uF 35V	1	AF
D1-4	VHD11ES1///-1	J	Diode (11ES1)	4	AB
RY1-2	RRLY-B002MRE0	M	Relay (DU24D1-1P(M))	2	AH
RY1-2	RRLY-A113DRE0	M	Relay (DU24D1-1P(M)) Interchangeable	2	AG
SP1	RALM-A014DRE0	J	Buzzer (PKM22EPT)	1	AG
T1	RTRNPB009MRE0	M	Transformer	1	AM
VRS1	RH-VZA032DRE0	J	Varistor (10G471K)	1	AE
3- 2	DPWBFC165WRKZ	M	LSI Unit	1	AX
3- 3	FPNLBCB380/KIT	M	Control panel frame with key unit	1	AX
3- 4	FUNTKB326/KIT	M	Key unit	1	AW
3- 5	JBTN-B102MRF0	M	Open button	1	AE
3- 6	MSPRTA050WRE0	M	Open button spring	1	AA
3- 7	LHLD-B009MRF0	M	LCD holder	1	AF
3- 8	PSHEPB023MRE0	M	LED sheet	1	AR
3- 9	XEPSD30P10XS0	M	Screw; 3mm x 10mm	3	AA

OVEN PARTS

4- 1	LBNDKB007MRP0	M	H.V. Capacitor band	1	AB
4- 2	LANGTB048MRP0	M	Chassis support	1	AE
4- 3	PHOK-B018MRF0	M	Latch hook	1	AF
4- 4	MLEVPB016MRF0	M	Switch lever	1	AD
4- 5	PDUC-B104MRF0	M	Magnetron duct	1	AF
4- 6	NFANPB006MRE0	M	Fan blade	1	AC
4- 7	PDUC-B088MRF0	M	Fan duct	1	AC
4- 8	-----	M	Oven cavity (Not a replaceable part)	1	--
4- 9	PCOVVPB085MRP0	M	Waveguide cover	1	AD
4-10	PPACGB014MRF0	M	Turntable motor packing	1	AA
4-11	PDUC-B106MRP0	M	AH sensor duct	1	AG
4-12	PCUSGB033MRP0	M	Cushion	1	AA

REF. NO.	PART NO.	§	DESCRIPTION	Q'TY	CODE
DOOR PARTS					
Δ 5- 1	FCOV-B183MRK0	M	Door frame assembly	1	AQ
5- 2	LSTPPB021MRF0	M	Latch head	1	AE
5- 3	MSPRTA046WRE0	M	Latch spring	1	AB
Δ 5- 4	FDORFB062MRT0	M	Door panel	1	AW
5- 5	PSHEPB021MRE0	M	Sealer film	1	AE
5- 6	GCOVHB042MRF0	M	Choke cover	1	AG
5- 7	LSTPPB036MRF0	M	Door Glass Stopper	1	AC
5- 8	PGLSPB027MRE0	M	Door Glass	1	AQ
5- 9	XEPSD30P06XS0	M	Screw; 3mm X 6mm	1	AA
5- 10	HDECQB026MRE0	M	Door trim	1	AE

MISCELLANEOUS

6- 1	FW-VZB125MRE0	M	Stop switch harness	1	AF
6- 2	FW-VZB168MRE0	M	Main wire harness	1	AU
6- 3	TLABBB007MRE0	M	Cavity hole cover	1	AA
6- 4	FROLPB025MRK0	M	Turntable support	1	AN
6- 5	NTNT-A095WRE0	M	Turntable tray	1	AM
6- 6	TCAUAB037MRR0	M	Monitor caution label	1	AA
6- 7	TCAUAB038MRR0	M	DHHS/Screw caution label	1	AB
6- 8	TINSEB288MRR0	M	Operation manual	1	AD
6- 9	QW-QZB016MRE0	M	High voltage wire A	1	AC

SCREWS,NUTS AND WASHERS

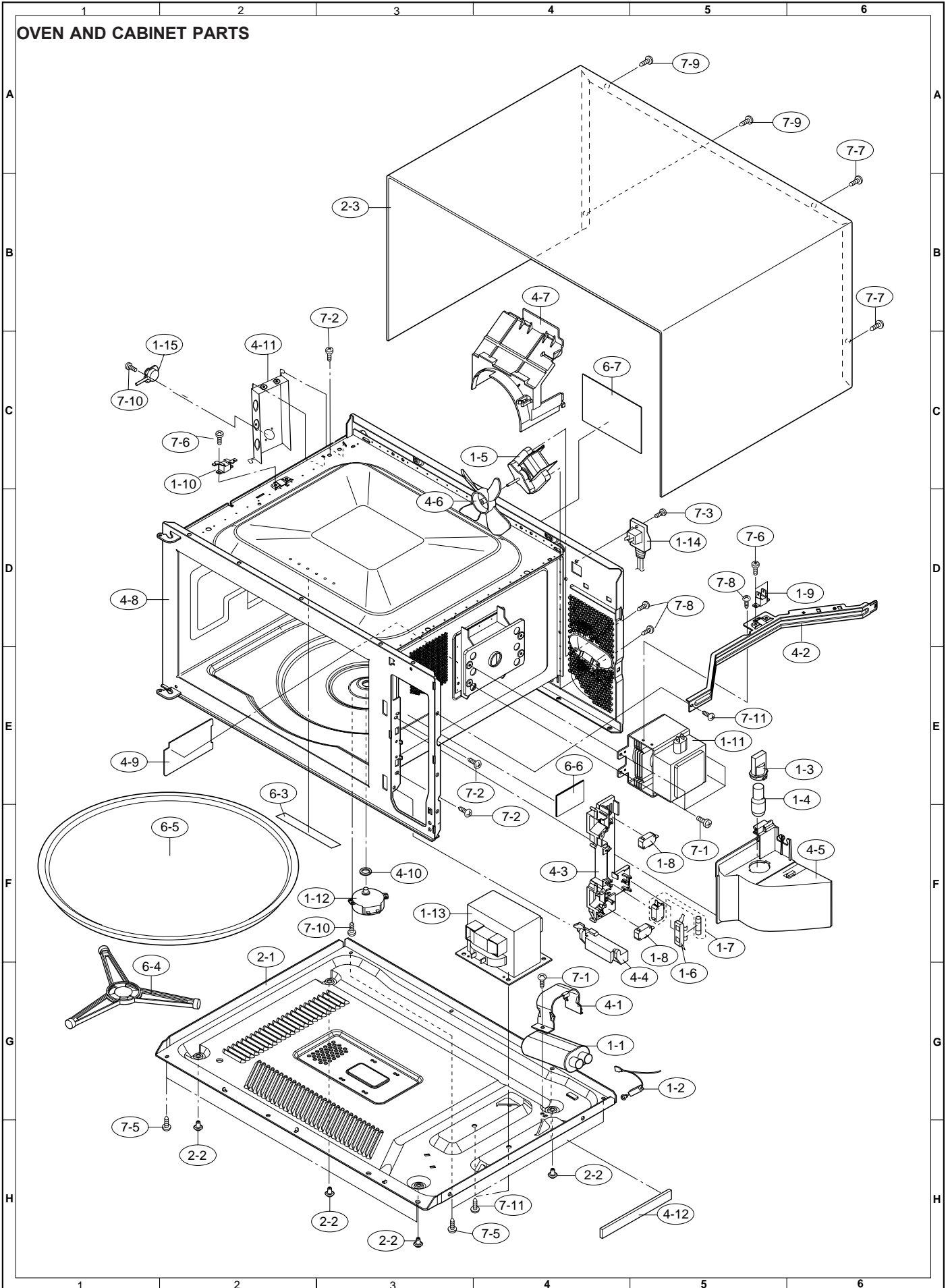
7- 1	LX-BZA041WRE0	M	Special screw	5	AA
7- 2	LX-CZ0052WRE0	M	Special screw	3	AA
7- 3	XHTSD40P12RV0	M	Screw : 4mm x 12mm	1	AA
7- 4	LX-BZ0081YBE0	M	Special screw	4	AA
* 7- 5	XOTSD40P12000	M	Screw : 4mm x 12mm	4	AA
7- 6	XCBSD30P08000	M	Screw : 3mm x 8mm	2	AA
7- 7	LX-CZA038WRE0	M	Special screw	2	AA
7- 8	XHTSD40P08RV0	M	Screw : 4mm x 8mm	3	AA
7- 9	LX-CZA070WRE0	M	Special screw (Torx tamper proof screw)	2	AB
7-10	XCPD30P08000	M	Screw : 3mm x 8mm	2	AA
7-11	XOPSD40P12XS0	M	Screw	3	AA

HOW TO ORDER REPLACEMENT PARTS

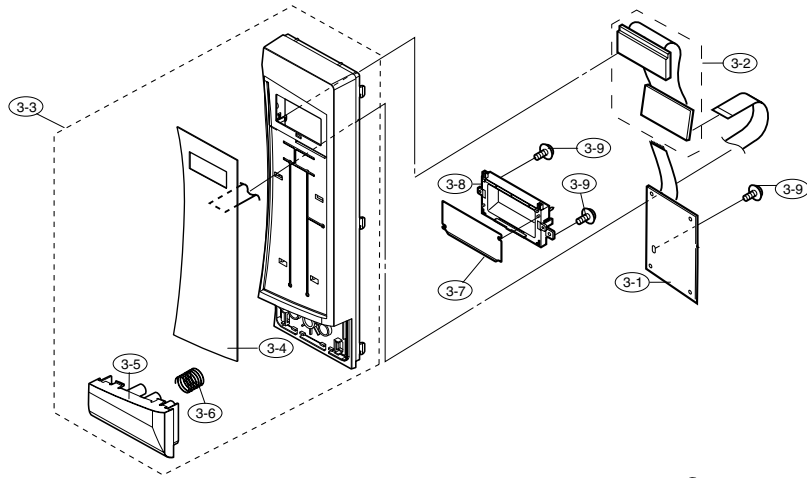
To have your order filled promptly and correctly, please furnish the following information.

1. MODEL NUMBER
2. REF. NO.
3. PART NO.
4. DESCRIPTION

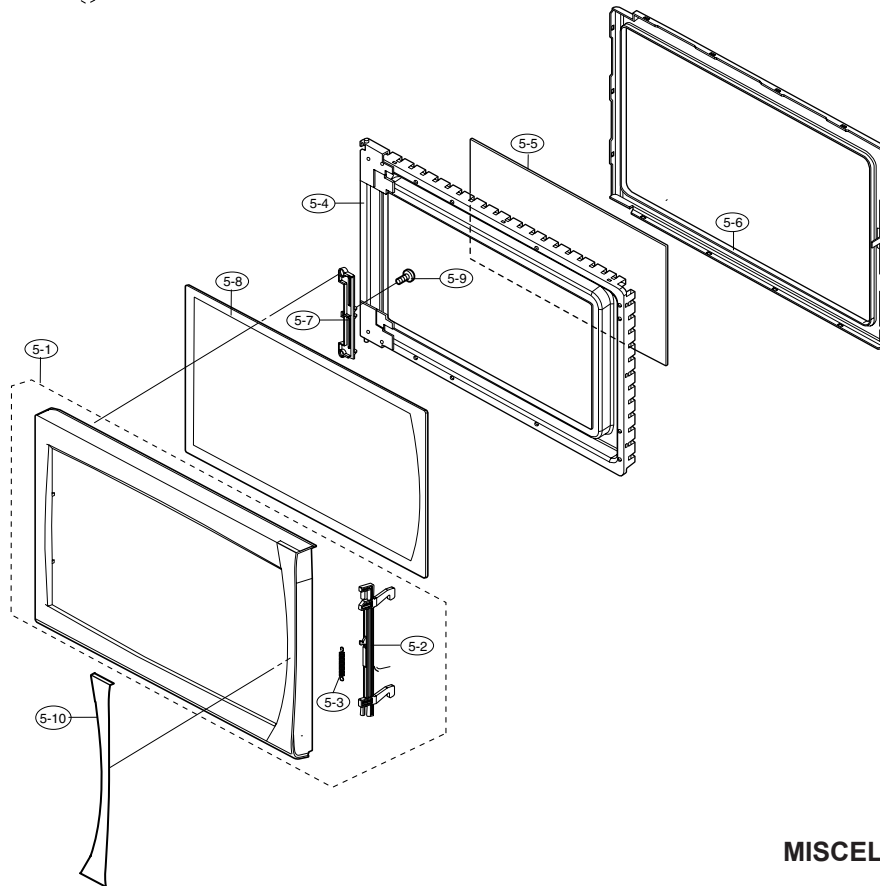
Order Parts from the authorized SHARP parts Distributor for your area.
Defective parts requiring return should be returned as indicated in the Service Policy.



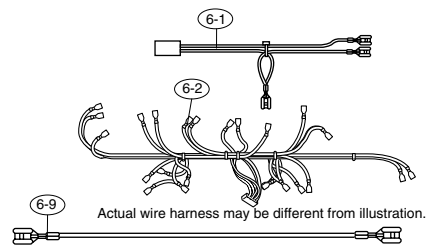
CONTROL PANEL PARTS



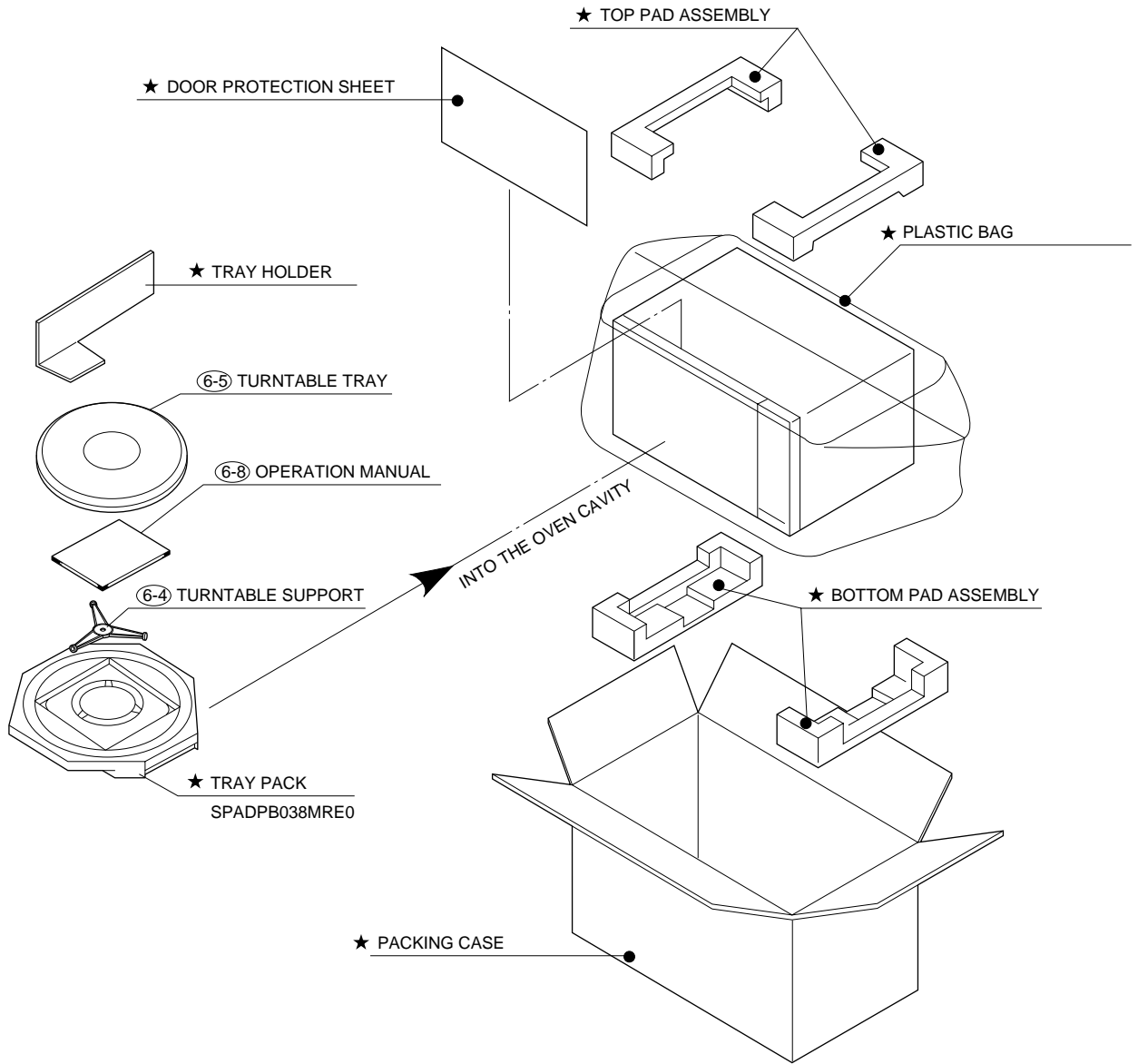
DOOR PARTS



MISCELLANEOUS



PACKING AND ACCESSORIES



Non-replaceable items.

SHARP

COPYRIGHT © 2001 BY SHARP CORPORATION

ALL RIGHTS RESERVED.

No part of this publication may be reproduced, stored in retrieval systems, or transmitted in any form or by any means, electronic, mechanical, photocopying, recording, or otherwise, without prior written permission of the publisher.