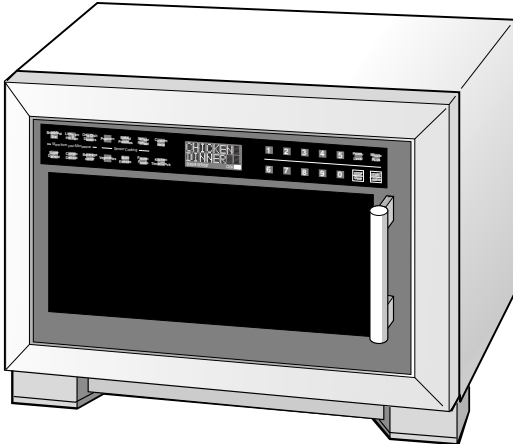


SHARP SERVICE MANUAL

S7017R630DPW/

MICROWAVE OVEN



MODELS **R-630DK**
 R-630DW
 R-630DS

In the interest of user-safety the oven should be restored to its original condition and only parts identical to those specified should be used.

WARNING TO SERVICE PERSONNEL: Microwave ovens contain circuitry capable of producing very high voltage and current, contact with following parts may result in a severe, possibly fatal, electrical shock. (High Voltage Capacitor, High Voltage Power Transformer, Magnetron, High Voltage Rectifier Assembly, High Voltage Harness etc..)

TABLE OF CONTENTS

	Page
PRECAUTIONS TO BE OBSERVED BEFORE AND DURING SERVICING TO AVOID POSSIBLE EXPOSURE TO EXCESSIVE MICROWAVE ENERGY	INSIDE FRONT COVER
BEFORE SERVICING	INSIDE FRONT COVER
WARNING TO SERVICE PERSONNEL	1
MICROWAVE MEASUREMENT PROCEDURE	2
FOREWORD AND WARNING	3
PRODUCT SPECIFICATIONS	4
GENERAL INFORMATION	4
OPERATION	6
TROUBLESHOOTING GUIDE	10
TEST PROCEDURE	12
TOUCH CONTROL PANEL	20
COMPONENT REPLACEMENT AND ADJUSTMENT PROCEDURE	25
PICTORIAL DIAGRAM	32
POWER UNIT CIRCUIT	33
CPU UNIT CIRCUIT	34
PRINTED WIRING BOARD	36
PARTS LIST	37
PACKING AND ACCESSORIES	39

SHARP CORPORATION

This document has been published to be used for after sales service only.

The contents are subject to change without notice.

PRECAUTIONS TO BE OBSERVED BEFORE AND DURING SERVICING TO AVOID POSSIBLE EXPOSURE TO EXCESSIVE MICROWAVE ENERGY

- (a) Do not operate or allow the oven to be operated with the door open.
- (b) Make the following safety checks on all ovens to be serviced before activating the magnetron or other microwave source, and make repairs as necessary: (1) interlock operation, (2) proper door closing, (3) seal and sealing surfaces (arcing, wear, and other damage), (4) damage to or loosening of hinges and latches, (5) evidence of dropping or abuse.
- (c) Before turning on microwave power for any service test or inspection within the microwave generating compartments, check the magnetron, wave guide or transmission line, and cavity for proper alignment, integrity, and connections.
- (d) Any defective or misadjusted components in the interlock, monitor, door seal, and microwave generation and transmission systems shall be repaired, replaced, or adjusted by procedures described in this manual before the oven is released to the owner.
- (e) A microwave leakage check to verify compliance with the Federal Performance Standard should be performed on each oven prior to release to the owner.

BEFORE SERVICING

Before servicing an operative unit, perform a microwave emission check as per the Microwave Measurement Procedure outlined in this service manual.

If microwave emissions level is in excess of the specified limit, contact SHARP ELECTRONICS CORPORATION immediately @1-800-237-4277.

If the unit operates with the door open, service person should 1) tell the user not to operate the oven and 2) contact SHARP ELECTRONICS CORPORATION and Food and Drug Administration's Center for Devices and Radiological Health immediately.

Service personnel should inform SHARP ELECTRONICS CORPORATION of any certified unit found with emissions in excess of $4\text{mW}/\text{cm}^2$. The owner of the unit should be instructed not to use the unit until the oven has been brought into compliance.

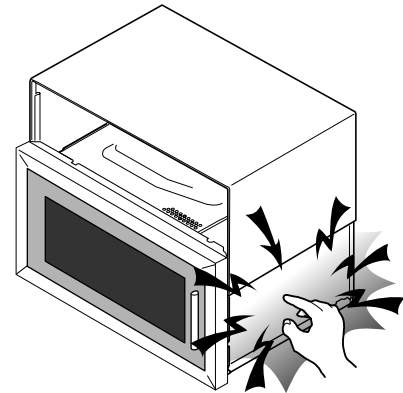
WARNING TO SERVICE PERSONNEL

Microwave ovens contain circuitry capable of producing very high voltage and current, contact with following parts may result in a severe, possibly fatal, electrical shock.

(Example)

High Voltage Capacitor, High Voltage Power Transformer, Magnetron, High Voltage Rectifier Assembly, High Voltage Harness etc..

Read the Service Manual carefully and follow all instructions.



**Don't Touch !
Danger High Voltage**

Before Servicing



1. Disconnect the power supply cord , and then remove outer case.
2. Open the door and block it open.
3. Discharge high voltage capacitor.

WARNING: RISK OF ELECTRIC SHOCK. DISCHARGE THE HIGH-VOLTAGE CAPACITOR BEFORE SERVICING.

The high-voltage capacitor remains charged about 60 seconds after the oven has been switched off. Wait for 60 seconds and then short-circuit the connection of the high-voltage capacitor (that is the connecting lead of the high-voltage rectifier) against the chassis with the use of an insulated screwdriver.

Whenever troubleshooting is performed the power supply must be disconnected. It may, in some cases, be necessary to connect the power supply after the outer case has been removed, in this event,

1. Disconnect the power supply cord, and then remove outer case.
2. Open the door and block it open.
3. Discharge high voltage capacitor.
4. Disconnect the leads to the primary of the power transformer.
5. Ensure that the leads remain isolated from other components and oven chassis by using insulation tape.
6. After that procedure, reconnect the power supply cord.

When the testing is completed,

1. Disconnect the power supply cord, and then remove outer case.
2. Open the door and block it open.
3. Discharge high voltage capacitor.
4. Reconnect the leads to the primary of the power transformer.
5. Reinstall the outer case (cabinet).
6. Reconnect the power supply cord after the outer case is installed.
7. Run the oven and check all functions.

After repairing

1. Reconnect all leads removed from components during testing.
2. Reinstall the outer case (cabinet).
3. Reconnect the power supply cord after the outer case is installed.
4. Run the oven and check all functions.

Microwave ovens should not be run empty. To test for the presence of microwave energy within a cavity, place a cup of cold water on the oven turntable, close the door and set the power to HIGH and set the microwave timer for two (2) minutes. When the two minutes has elapsed (timer at zero) carefully check that the water is now hot. If the water remains cold, carry out **Before Servicing** procedure and re-examine the connections to the component being tested.

When all service work is completed and the oven is fully assembled, the microwave power output should be checked and a microwave leakage test should be carried out.

MICROWAVE MEASUREMENT PROCEDURE

A. Requirements:

- 1) Microwave leakage limit (Power density limit): The power density of microwave radiation emitted by a microwave oven should not exceed 1 mW/cm^2 at any point 5cm or more from the external surface of the oven, measured prior to acquisition by a purchaser, and thereafter (through the useful life of the oven), 5 mW/cm^2 at any point 5cm or more from the external surface of the oven.
- 2) Safety interlock switches Primary interlock relay and door sensing switch shall prevent microwave radiation emission in excess of the requirement as above mentioned, secondary interlock switch shall prevent microwave radiation emission in excess of 5 mW/cm^2 at any point 5cm or more from the external surface of the oven.

B. Preparation for testing:

Before beginning the actual measurement of leakage, proceed as follows:

- 1) Make sure that the actual instrument is operating normally as specified in its instruction booklet.

Important:

Survey instruments that comply with the requirement for instrumentation as prescribed by the performance standard for microwave ovens, 21 CFR 1030.10(c)(3)(i), must be used for testing.

- 2) Place the oven tray in the oven cavity.
- 3) Place the load of $275 \pm 15 \text{ ml}$ (9.8 oz) of tap water initially at $20 \pm 5^\circ \text{C}$ (68°F) in the center of the oven cavity.
The water container shall be a low form of 600 ml (20 oz) beaker with an inside diameter of approx. 8.5 cm (3-1/2 in.) and made of an electrically nonconductive material such as glass or plastic.
The placing of this standard load in the oven is important not only to protect the oven, but also to insure that any leakage is measured accurately.
- 4) Set the cooking control on Full Power Cooking Mode.
- 5) Close the door and select a cook cycle of several minutes. If the water begins to boil before the survey is completed, replace it with 275 ml of cool water.

C. Leakage test:

Closed-door leakage test (microwave measurement)

- 1) Grasp the probe of the survey instrument and hold it perpendicular to the gap between the door and the body of the oven.
- 2) Move the probe slowly, not faster than 1 in./sec. (2.5 cm/sec.) along the gap, watching for the maximum indication on the meter.
- 3) Check for leakage at the door screen, sheet metal seams and other accessible positions where the continuity of the metal has been breached (eg., around the switches, indicator, and vents).
While testing for leakage around the door pull the door away from the front of the oven as far as is permitted by the closed latch assembly.
- 4) Measure carefully at the point of highest leakage and make sure that the highest leakage is no greater than 4 mW/cm^2 , and that the secondary interlock switch does turn the oven OFF before any door movement.

NOTE: After servicing, record data on service invoice and microwave leakage report.

SERVICE MANUAL

SHARP

MICROWAVE OVEN

R-630DK/ R-630DW/ R-630DS

FOREWORD

This Manual has been prepared to provide Sharp Electronics Corp. Service Personnel with Operation and Service Information for the SHARP MICROWAVE OVEN, R-630DK, R-630DW, R-630DS.

It is recommended that service personnel carefully study the entire text of this manual so that they will be qualified to render satisfactory customer service.

Check the interlock switches and the door seal carefully. Special attention should be given to avoid electrical shock and microwave radiation hazard.

WARNING

Never operate the oven until the following points are ensured.

- (A) The door is tightly closed.
- (B) The door brackets and hinges are not defective.
- (C) The door packing is not damaged.
- (D) The door is not deformed or warped.
- (E) There is no other visible damage with the oven.

Servicing and repair work must be carried out only by trained service personnel.

DANGER

Certain initial parts are intentionally not grounded and present a risk of electrical shock only during servicing. Service personnel - Do not contact the following parts while the appliance is energized;

**High Voltage Capacitor, Power Transformer, Magnetron, High Voltage Rectifier Assembly, High Voltage Harness;
If provided, Vent Hood, Fan assembly, Cooling Fan Motor.**

All the parts marked "*" on parts list are used at voltages more than 250V.

Removal of the outer wrap gives access to voltage above 250V.

All the parts marked "Δ" on parts list may cause undue microwave exposure, by themselves, or when they are damaged, loosened or removed.

PRODUCT DESCRIPTION

GENERAL INFORMATION

OPERATION

TROUBLESHOOTING GUIDE AND
TEST PROCEDURE

TOUCH CONTROL PANEL

COMPONENT REPLACEMENT
AND ADJUSTMENT PROCEDURE

WIRING DIAGRAM

PARTS LIST

SHARP ELECTRONICS CORPORATION

SHARP PLAZA, MAHWAH,
NEW JERSEY 07430-2135

SPECIFICATION

ITEM	DESCRIPTION
Power Requirements	120 Volts / 14 Amperes 60 Hertz Single phase, 3 wire grounded
Power Output	1100 watts (IEC TEST PROCEDURE) Operating frequency of 2450MHz
Case Dimensions	Width 19-1/2" Height 14" Depth 20-5/8"
Cooking Cavity Dimensions 1.4 Cubic Feet	Width 17-3/4" Height 8-1/4" Depth 17"
Control Complement	Touch Control System Clock (1:00 - 12:59) Timer (0 - 99 min. 99 seconds) Microwave Power for Variable Cooking Repetition Rate; P-HI Full power throughout the cooking time P-90 approx. 90% of Full Power P-80 approx. 80% of Full Power P-70 approx. 70% of Full Power P-60 approx. 60% of Full Power P-50 approx. 50% of Full Power P-40 approx. 40% of Full Power P-30 approx. 30% of Full Power P-20 approx. 20% of Full Power P-10 approx. 10% of Full Power P-0 No power throughout the cooking time Breakfast Bar pad, Lunch on the Run pad, One Dish Dinners pad Super Defrost pad, Compu Defrost pad, Beverage Center pad Sensor Cooking pads, Custom Help pad, Kitchen Timer/Clock pad Number selection pads, Power Level pad, Minute Plus pad STOP/Clear pad, START/Touch On pad
Oven Cavity Light	Yes
Safety Standard	UL Listed FCC Authorized DHHS Rules, CFR, Title 21, Chapter 1, Subchapter J

GENERAL INFORMATION

GROUNDING INSTRUCTIONS

This oven is equipped with a three prong grounding plug. It must be plugged into a wall receptacle that is properly installed and grounded in accordance with the National Electrical Code and local codes and ordinances.

In the event of an electrical short circuit, grounding reduces the risk of electric shock by providing an escape wire for the electric current.

WARNING: Improper use of the grounding plug can result in a risk of electric shock.

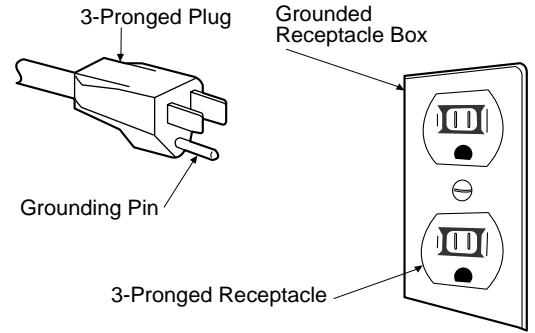
Electrical Requirements

The electrical requirements are a 120 volt 60 Hz, AC only, 15 or 20 amp. fused electrical supply. It is recommended that a separate circuit serving only this appliance be provided. When installing this appliance, observe all applicable codes and ordinances.

A short power-supply cord is provided to reduce risks of becoming entangled in or tripping over a longer cord.

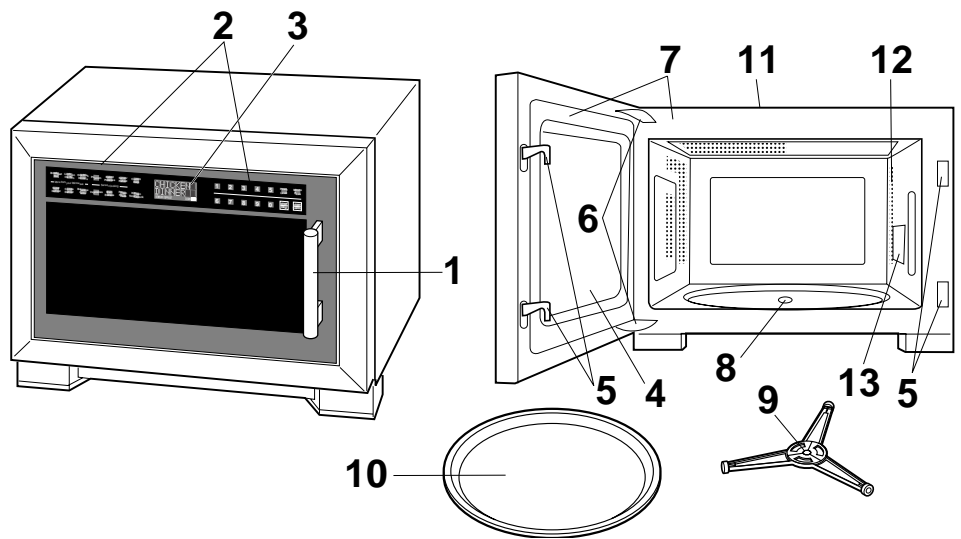
Where a two-pronged wall-receptacle is encountered, it is the personal responsibility and obligation of the customer to contact a qualified electrician and have it replaced with a properly grounded three-pronged wall receptacle or have a grounding adapter properly grounded and polarized. If the extension cord must be used, it should be a 3-wire, 15 amp. or higher rated cord. Do not drape over a countertop or table where it can be pulled on by children or tripped over accidentally.

CAUTION: DO NOT UNDER ANY CIRCUMSTANCES CUT OR REMOVE THE ROUND GROUNDING PRONG FROM THIS PLUG.



OVEN DIAGRAM

1. Door handle
Pull to open door.
2. Auto-Touch control panel
3. Display: 99 minutes, 99 seconds
4. Oven door with see-through window
5. Safety door latches
The oven will not operate unless the door is securely closed.
6. Door hinges
7. Door seals and sealing surface
8. Turntable motor shaft
9. Removable turntable support
Carefully place the turntable support in the center of the oven floor.
10. Removable turntable
Place the turntable on the turntable support securely. The turntable will rotate clockwise or counterclockwise. Only remove for cleaning.
11. Ventilation openings (Rear)
12. Oven light
It will light when oven is operating or door is opened.
13. Wave guide cover: **DO NOT REMOVE.**



TOUCH CONTROL PANEL



NOTE:

The directed features are disabled after three minutes when the oven is not in use. These features are automatically enabled when the door is opened and closed or the STOP/ CLEAR pad is pressed.

OPERATION

DESCRIPTION OF OPERATING SEQUENCE

The following is a description of component functions during oven operation.

OFF CONDITION

Closing the door activates the door sensing switch and secondary interlock switch. (In this condition, the monitor switch contacts are opened.)

When oven is plugged in, 120 volts A.C. is supplied to the control unit (Figure O-1).

1. The display will show "SHARP SIMPLY THE BEST PRESS CLEAR AND PRESS CLOCK". To set any program or set the clock, you must first touch the STOP/CLEAR pad. The display will clear, and " : " will appear.

COOKING CONDITION

Program desired cooking time by touching the NUMBER pads. Program the power level by touching the POWER LEVEL pad and then a Number pad.

When the START pad is touched, the following operations occur:

1. The contacts of relays are closed and components connected to the relays are turned on as follows. (For details, refer to Figure O-2)

RELAY	CONNECTED COMPONENTS
RY-1	oven lamp/turntable motor/fan motor
RY-2	power transformer

2. 120 volts A.C. is supplied to the primary winding of the power transformer and is converted to about 3.3 volts A.C. output on the filament winding, and approximately 2400 volts A.C. on the high voltage winding.
3. The filament winding voltage heats the magnetron filament and the H.V. winding voltage is sent to a voltage doubler circuit.
4. The microwave energy produced by the magnetron is channelled through the waveguide into the cavity feed-box, and then into the cavity where the food is placed to be cooked.
5. Upon completion of the cooking time, the power transformer, oven lamp, etc. are turned off, and the generation of microwave energy is stopped. The oven will revert to the OFF condition.
6. When the door is opened during a cook cycle, the monitor switch, door sensing switch, secondary interlock switch, relay (RY1) and primary interlock relay are activated with the following results. The circuits to the turntable motor, the cooling fan motor, and the high voltage components are de-energized, the oven lamp remains on, and the digital read-out displays the time still remaining in the cook cycle when the door was opened.
7. The monitor switch electrically monitors the operation of the secondary interlock switch and primary interlock relay and is mechanically associated with the door so that it will function in the following sequence.

(1) When the door opens from the closed position, the primary interlock relay (RY2) and secondary interlock switch open their contacts. And contacts of the relay (RY1) remains closed. Then the monitor switch contacts close.

(2) When the door is closed from the open position, the monitor switch contacts open first. Then the contacts of the secondary interlock switch and door sensing switch close. And contacts of the relay (RY1) open.

If the secondary interlock switch and primary interlock relay (RY2) fail with the contacts closed when the door is opened, the closing of the monitor switch contacts will form a short circuit through the monitor fuse, secondary interlock switch, relay (RY1) and primary interlock relay (RY2), causing the monitor fuse to blow.

POWER LEVEL 0 PERCENT TO 90 PERCENT COOKING

When Variable Cooking Power is programmed, the 120 volts A.C. is supplied to the power transformer intermittently through the contacts of relay (RY-2) which is operated by the control unit within a 32 second time base. Microwave power operation is as follows:

VARI-MODE	ON TIME	OFF TIME
100 PERCENT	32 sec.	0 sec.
90 PERCENT	30 sec.	2 sec.
80 PERCENT	26 sec.	6 sec.
70 PERCENT	24 sec.	8 sec.
60 PERCENT	22 sec.	10 sec.
50 PERCENT	18 sec.	14 sec.
40 PERCENT	16 sec.	16 sec.
30 PERCENT	12 sec.	20 sec.
20 PERCENT	8 sec.	24 sec.
10 PERCENT	6 sec.	26 sec.
0 PERCENT	0 sec.	32 sec.

Note: The ON/OFF time ratio does not correspond with the percentage of microwave power, because approx. 2 seconds are needed for heating of the magnetron filament.

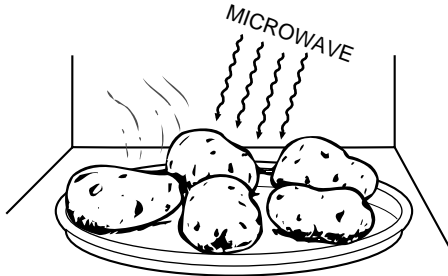
SENSOR COOKING CONDITION

Using the SENSOR function, the food is cooked without figuring time, power level or quantity. When the oven senses enough steam from the food, it relays the information to its microprocessor which will calculate the remaining cooking time and power level needed for best results. When the food is cooked, water vapor is developed. The sensor "senses" the vapor and its resistance increases gradually. When the resistance reaches the value set according to the menu, supplementary cooking is started. The time of supplementary cooking is determined by experiment with each food category and inputted into the LSI.

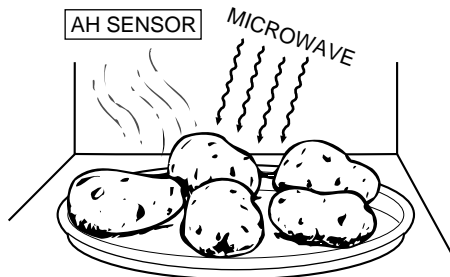
An example of how sensor works: (POTATOES)



1. Potatoes at room temperature. Vapor is emitted very slowly.



2. Heat Potatoes. Moisture and humidity is emitted rapidly. You can smell the aroma as it cooks.



3. Sensor detects moisture and humidity and calculates cooking time and variable power.

Cooking Sequence.

1. Operate the oven in sensor cooking mode by referring to the operation manual.

NOTE: The oven should not be operated on SENSOR immediately after plugging in the unit. Wait two minutes before cooking on SENSOR.

2. The coil of shut-off relay (RY-1) is energized, the turntable motor, oven lamp and cooling fan motor are turned on, but the power transformer is not turned on.
3. After about 16 seconds, the cook relay (RY-2) is energized. The power transformer is turned on, microwave energy is produced and first stage is started. The 16 seconds is the cooling time required to remove any vapor from the oven cavity and sensor.

NOTE: During this first stage, do not open the door or touch STOP/CLEAR pad.

4. When the sensor detects the vapor emitted from the food, the display switches over to the remaining cooking time and the timer counts down to zero. At this time, the door may be opened to stir, turn, or season food.
5. When the timer reaches zero, an audible signal sounds. The shut-off relay and cook relay are de-energized and the power transformer, oven lamp, etc. are turned off.
6. Opening the door or touching the STOP/CLEAR pad, the time of day will reappear on the display and the oven will revert to an OFF condition.

SCHEMATIC
NOTE: CONDITION OF OVEN
1. DOOR CLOSED
2. CLOCK APPEARS ON DISPLAY

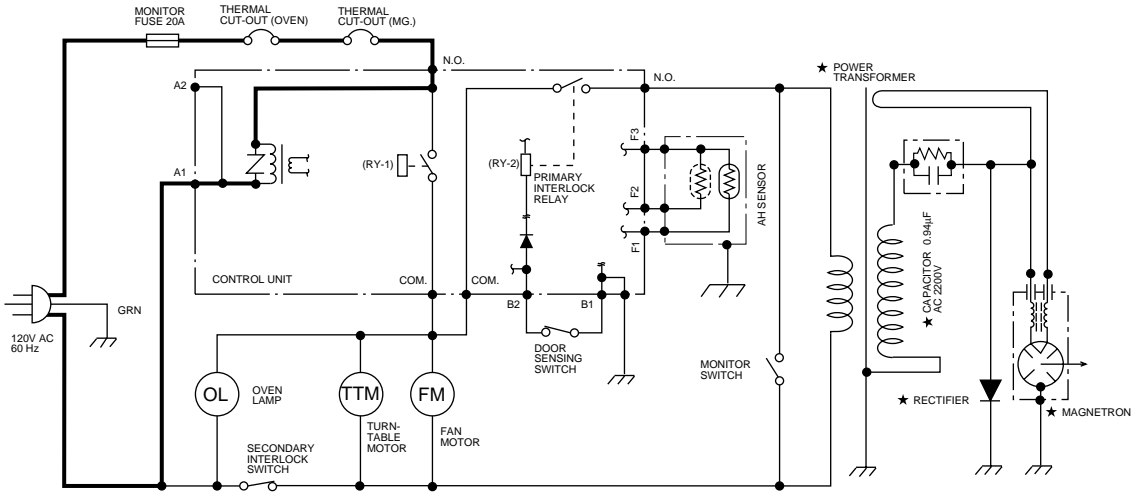


Figure O-1. Oven Schematic-Off Condition

SCHEMATIC
NOTE: CONDITION OF OVEN
1. DOOR CLOSED
2. COOKING TIME PROGRAMMED
3. VARIABLE COOKING CONTROL "P-HI" (100%)
4. "START" PAD TOUCHED

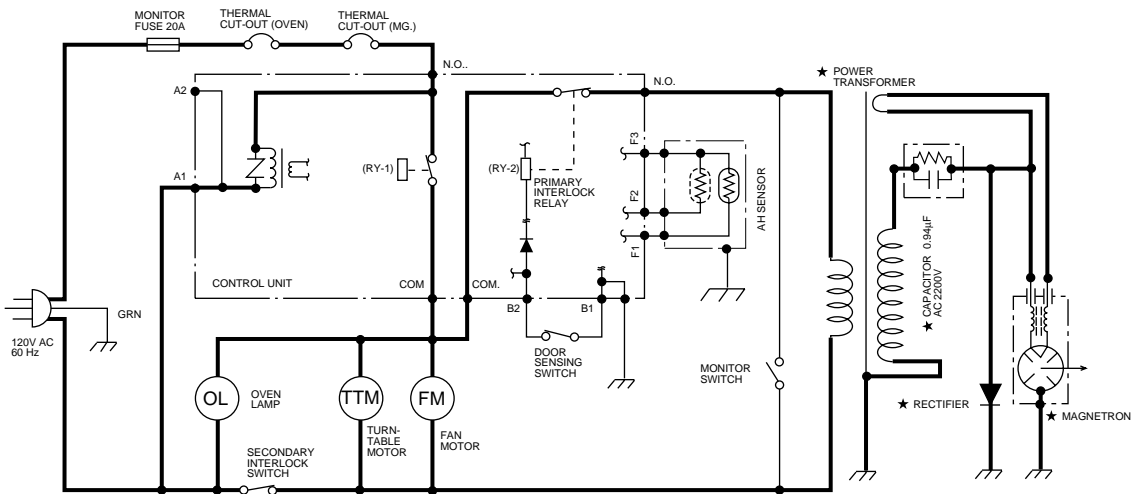


Figure O-2. Oven Schematic-Cooking Condition

DESCRIPTION AND FUNCTION OF COMPONENTS

DOOR OPEN MECHANISM

The door is opened by pulling the door. Refer to the Figure D-1.

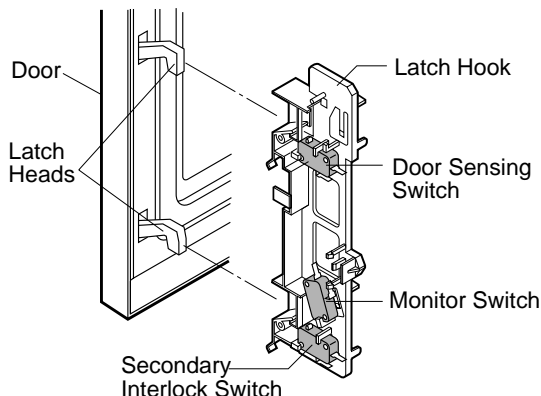


Figure D-1. Door Open Mechanism

DOOR SENSING AND SECONDARY INTERLOCK SWITCHES

The secondary interlock switch is mounted in the lower position of the latch hook and the door sensing switch in the primary interlock system is mounted in the upper position of the latch hook. They are activated by the latch heads on the door. When the door is opened, the switches interrupt the power to all high voltage components. A cook cycle cannot take place until the door is firmly closed thereby activating both interlock switches. The primary interlock system consists of the door sensing switch and primary interlock relay located on the control circuit board.

MONITOR SWITCH

The monitor switch is activated (the contacts opened) by the latch head on the door while the door is closed. The switch is intended to render the oven inoperative, by means of blowing the monitor fuse, when the contacts of the primary interlock relay (RY2) and secondary interlock switch fail to open when the door is opened.

Functions:

1. When the door is opened, the monitor switch contact close (to the ON condition) due to their being normally closed. At this time the primary interlock relay (RY2) and secondary interlock switch are in the OFF condition (contacts open) due to their being normally open contact switches.
2. As the door goes to a closed position, the monitor switch contacts are first opened and then the door sensing switch and the secondary interlock switch contacts close. (On opening the door, each of these switches operate inversely.)
3. If the door is opened, and the primary interlock relay (RY2) and secondary interlock switch contacts fail to open, the monitor fuse blows simultaneously with closing of the monitor switch contacts.

CAUTION: BEFORE REPLACING A BLOWN MONITOR FUSE TEST THE DOOR SENSING SWITCH, PRIMARY INTERLOCK RELAY (RY2), RELAY (RY1), SECONDARY INTERLOCK SWITCH AND MONITOR SWITCH FOR PROPER OPERATION. (REFER TO CHAPTER "TEST PROCEDURE").

NOTE: MONITOR FUSE AND MONITOR SWITCH ARE REPLACED AS AN ASSEMBLY.

TURNTABLE MOTOR

The turntable motor rotates the turntable located on the bottom of the oven cavity, so that the foods on the turntable cook evenly during cooking. The turntable may turn in either direction.

COOLING FAN MOTOR

The cooling fan motor drives a blade which draws external cool air. This cool air is directed through the air vanes surrounding the magnetron and cools the magnetron. This air is channelled through the oven cavity to remove steam and vapors given off from the heating foods. It is then exhausted through the exhausting air vents at the oven cavity.

MONITOR FUSE

1. The monitor fuse blows when the contacts (COM-NO) of the primary interlock relay (RY2) and secondary interlock switch remain closed with the oven door open and when the monitor switch closes.
2. If the wire harness or electrical components are short-circuited, this monitor fuse blows to prevent an electric shock or fire hazard.

OVEN THERMAL CUT-OUT

The thermal cut-out, located on the top of the oven cavity, is designed to prevent damage to the oven by fire. If the food load is overcooked, by either error in cook time or defect in the control unit, the thermal cut-out will open. Under normal operation, the oven thermal cut-out remains closed. However, when abnormally high temperatures are reached within the oven cavity, the oven thermal cut-out will open at 257°F(125°C), causing the oven to shut down.

MAGNETRON THERMAL CUT-OUT

The thermal cut-out located near the magnetron is designed to prevent damage to the magnetron if an over heated condition develops in the tube due to cooling fan failure, obstructed air guide, dirty or blocked air intake, etc. Under normal operation, the thermal cut-out remains closed. However, when abnormally high temperatures are reached within the magnetron, the thermal cut-out will open at 257°F(125°C) causing the oven to shut down.

TROUBLESHOOTING GUIDE

Never touch any part in the circuit with your hand or an uninsulated tool while the power supply is connected.

When troubleshooting the microwave oven, it is helpful to follow the Sequence of Operation in performing the checks. Many of the possible causes of trouble will require that a specific test be performed. These tests are given a procedure letter which will be found in the "Test Procedure" section.

IMPORTANT: If the oven becomes inoperative because of a blown monitor fuse, check the monitor switch, relay (RY1) primary interlock relay (RY2), door sensing switch and secondary interlock switch before replacing the monitor fuse. If the monitor fuse is replaced, the monitor switch must also be replaced. Use part FFS-BA023WRK0 as an assembly.

IMPORTANT: Whenever troubleshooting is performed with the power supply cord disconnected. It may, in some cases, be necessary to connect the power supply cord after the outer case has been removed, in this event,

1. Disconnect the power supply cord, and then remove outer case.
2. Open the door and block it open.
3. Discharge high voltage capacitor.
4. Disconnect the leads to the primary of the power transformer.
5. Ensure that the leads remain isolated from other components and oven chassis by using insulation tape.
6. After that procedure, reconnect the power supply cord.

When the testing is completed

1. Disconnect the power supply cord, and then remove outer case.
2. Open the door and block it open.
3. Discharge high voltage capacitor.
4. Reconnect all leads removed from components during testing.
5. Reinstall the outer case (cabinet).
6. Reconnect the power supply cord after the outer case is installed.
7. Run the oven and check all functions.

CK = Check / RE = Replace

CONDITION	TEST PROCEDURE POSSIBLE CAUSE AND DEFECTIVE PARTS PROBLEM	RE	RE	A	B	C	D	E	F	F	G	H	RE	RE	CK	I	CK	CK	CK	J	K	L	M	N	
		SHORT IN POWER CORD	SHORT OR OPENED WIRING	MAGNETRON	POWER TRANSFORMER	H.V. RECTIFIER ASSEMBLY	HIGH VOLTAGE CAPACITOR	THERMAL CUT-OUT	PRIMARY INTERLOCK SYSTEM	SECONDARY INTERLOCK SWITCH	MONITOR SWITCH	MONITOR FUSE	OVEN LAMP OR SOCKET	COOLING FAN MOTOR	TURNTABLE MOTOR	CONTROL UNIT	WRONG OPERATION	LOW VOLTAGE	DIRTY OVEN CAVITY	KEY UNIT	RELAY (RY1)	COMPU DEFROST	FOIL PATTERN ON PWB.	AH SENSOR	
OFF CONDITION	Home fuse or circuit breaker blows when power cord is plugged into wall receptacle	○	○																						
	Monitor fuse blows when power cord is plugged into wall receptacle.		○						○	○	○					○									
	All letters and indicators do not appear in display when power cord is first plugged into wall outlet.		○				○					○				○	○						○		
	Display does not operate properly when STOP/CLEAR key is touched. (Buzzer should sound and ":" or time of day should appear in display.)		○							○						○	○			○					
	Oven lamp does not light when door is opened.		○					○	○				○	○		○						○			
	Oven lamp does not go out when door is closed.								○													○			
	Oven lamp lights but fan motor and turntable motor do not operate.		○							○				○	○										
	Oven does not go into cook cycle when START pad is touched		○						○	○						○	○			○	○				
	Oven seems to be operating but little or no heat is produced in oven load. (Food incompletely cooked or not cooked at all at end of cook cycle.)		○	○	○	○	○			○						○		○							
	Oven goes into a cook cycle but extremely uneven heating is produced in oven load (food).		○												○		○	○	○						
	Oven does not cook properly when programmed for Cooking Power P-50 mode. (Operates properly on Cooking Power P-HI (100%) mode.)									○							○								
	Oven goes into COMPU DEFROST but food is not defrosted well.															○	○						○		
SENSOR COOKING CONDITION	AH sensor does not end during sensor cooking condition. (Oven does not shut off after a cup of water is boiling by sensor cooking.)															○								○	
	Oven stops at 16 sec. after setting.		○																					○	

TEST PROCEDURES

PROCEDURE LETTER	COMPONENT TEST	
A	<u>MAGNETRON ASSEMBLY TEST</u>	
	<ol style="list-style-type: none">1. Disconnect the power supply cord, and then remove outer case.2. Open the door and block it open.3. Discharge the high voltage capacitor.4. To test for an open filament, isolate the magnetron from the high voltage circuit. A continuity check across the magnetron filament leads should indicate less than 1 ohm.5. To test for a shorted magnetron, connect the ohmmeter leads between the magnetron filament leads and chassis ground. This test should indicate an infinite resistance. If there is little or no resistance the magnetron is grounded and must be replaced.6. Reconnect all leads removed from components during testing.7. Reinstall the outer case (cabinet).8. Reconnect the power supply cord after the outer case is installed.9. Run the oven and check all functions.	
	MICROWAVE OUTPUT POWER	
	The following test procedure should be carried out with the microwave oven in a fully assembled condition (outer case fitted).	
	HIGH VOLTAGES ARE PRESENT DURING THE COOK CYCLE, SO EXTREME CAUTION SHOULD BE OBSERVED.	
	Power output of the magnetron can be measured by performing a water temperature rise test. This test should only be used if above tests do not indicate a faulty magnetron and there is no defect in the following components or wiring: silicon rectifier, high voltage capacitor and power transformer. This test will require a 16 ounce (453cc) measuring cup and an accurate mercury thermometer or thermocouple type temperature tester. For accurate results, the following procedure must be followed carefully:	
	<ol style="list-style-type: none">1. Fill the measuring cup with 16 oz. (453cc) of tap water and measure the temperature of the water with a thermometer or thermocouple temperature tester. Stir the thermometer or thermocouple through the water until the temperature stabilizes. Record the temperature of the water.2. Place the cup of water in the oven. Operate oven at POWER P-HI(HIGH) selecting more than 60 seconds cook time. Allow the water to heat for 60 seconds, measuring with a stop watch, second hand of a watch or the digital read-out countdown.3. Remove the cup from the oven and again measure the temperature, making sure to stir the thermometer or thermocouple through the water until the maximum temperature is recorded.4. Subtract the cold water temperature from the hot water temperature. The normal result should be 32.1 to 59.7°F(17.9 to 33.2°C) rise in temperature. If the water temperatures are accurately measured and tested for the required time period the test results will indicate if the magnetron tube has low power output (low rise in water temperature) which would extend cooking time or high power output (high rise in water temperature) which would reduce cooking time. Because cooking time can be adjusted to compensate for power output, the magnetron tube assembly should be replaced only if the water temperature rise test indicates a power output well beyond the normal limits. The test is only accurate if the power supply line voltage is 120 volts and the oven cavity is clean.	
	B	<u>POWER TRANSFORMER TEST</u>
		<ol style="list-style-type: none">1. Disconnect the power supply cord, and then remove outer case.2. Open the door and block it open.3. Discharge the high voltage capacitor.4. Disconnect the primary input terminals and measure the resistance of the transformer with an ohmmeter. Check for continuity of the coils with an ohmmeter. On the R x 1 scale, the resistance of the primary coil should be less than 1 ohm and the resistance of the high voltage coil should be approximately 75 ohms; the resistance of the filament coil should be less than 1 ohm.5. Reconnect all leads removed from components during testing.6. Reinstall the outer case (cabinet).7. Reconnect the power supply cord after the outer case is installed.8. Run the oven and check all functions.

TEST PROCEDURES

PROCEDURE LETTER	COMPONENT TEST
	(HIGH VOLTAGES ARE PRESENT AT THE HIGH VOLTAGE TERMINAL, SO DO NOT ATTEMPT TO MEASURE THE FILAMENT AND HIGH VOLTAGE.)
C	<u>HIGH VOLTAGE RECTIFIER TEST</u> <ol style="list-style-type: none">1. Disconnect the power supply cord, and then remove outer case.2. Open the door and block it open.3. Discharge the high voltage capacitor.4. Isolate the rectifier from the circuit. Using the highest ohm scale of the meter, read the resistance across the terminals and observe, reverse the leads to the rectifier terminals and observe meter reading. If a short is indicated in both directions, or if an infinite resistance is read in both directions, the rectifier is probably defective and should be replaced.5. Reconnect all leads removed from components during testing.6. Reinstall the outer case (cabinet).7. Reconnect the power supply cord after the outer case is installed.8. Run the oven and check all functions. NOTE: Be sure to use an ohmmeter that will supply a forward bias voltage of more than 6.3 volts.
D	<u>HIGH VOLTAGE CAPACITOR TEST</u> <ol style="list-style-type: none">1. Disconnect the power supply cord, and then remove outer case.2. Open the door and block it open.3. Discharge the high voltage capacitor.4. If the capacitor is open, no high voltage will be available to the magnetron. Disconnect input leads and check for short or open between the terminals using an ohmmeter. Checking with a high ohm scale, if the high voltage capacitor is normal, the meter will indicate continuity for a short time and should indicate an open circuit once the capacitor is charged. If the above is not the case, check the capacitor with an ohmmeter to see if it is shorted between either of the terminals and case. If it is shorted, replace the capacitor.5. Reconnect all leads removed from components during testing.6. Reinstall the outer case (cabinet).7. Reconnect the power supply cord after the outer case is installed.8. Run the oven and check all functions.
E	<u>OVEN THERMAL CUT-OUT TEST</u> <ol style="list-style-type: none">1. Disconnect the power supply cord, and then remove outer case.2. Open the door and block it open.3. To discharge the high voltage capacitor, wait for 60 seconds.4. A continuity check across the thermal cut-out terminals should indicate a closed circuit unless the temperature of the thermal cut-out reaches approximately 257°F(125°C). An open thermal cut-out indicates overheating of the oven, exchange the oven thermal cut-out and check inside of oven cavity and for improper setting of cooking time or operation of control unit. Check for restricted air flow through the vent holes of the oven cavity, especially the cooling fan and air guide.5. Reconnect all leads removed from components during testing.6. Reinstall the outer case (cabinet).7. Reconnect the power supply cord after the outer case is installed.8. Run the oven and check all functions. <u>MAGNETRON THERMAL CUT-OUT TEST</u> <ol style="list-style-type: none">1. Disconnect the power supply cord, and then remove outer case.2. Open the door and block it open.3. To discharge the high voltage capacitor, wait for 60 seconds.4. A continuity check across the thermal cut-out terminals should indicate a closed circuit unless the temperature of the magnetron reaches approximately 257°F(125°C). An open thermal cut-out indicates overheating of the magnetron. Check for restricted air flow to the magnetron, especially the cooling fan air guide.

TEST PROCEDURES

PROCEDURE LETTER	COMPONENT TEST
------------------	----------------

5. Reconnect all leads removed from components during testing.
6. Reinstall the outer case (cabinet).
7. Reconnect the power supply cord after the outer case is installed.
8. Run the oven and check all functions.

CAUTION: IF THE THERMAL CUT-OUT INDICATES AN OPEN CIRCUIT AT ROOM TEMPERATURE, REPLACE THERMAL CUT-OUT.

F SECONDARY INTERLOCK SWITCH TEST

1. Disconnect the power supply cord, and then remove outer case.
2. Open the door and block it open.
3. To discharge the high voltage capacitor, wait for 60 seconds.
4. Isolate the switch and connect the ohmmeter to the common (COM.) and normally open (NO) terminal of the switch. The meter should indicate an open circuit with the door open and a closed circuit with the door closed. If improper operation is indicated, replace the secondary interlock switch.
5. Reconnect all leads removed from components during testing.
6. Reinstall the outer case (cabinet).
7. Reconnect the power supply cord after the outer case is installed.
8. Run the oven and check all functions.

PRIMARY INTERLOCK SYSTEM TEST

DOOR SENSING SWITCH

1. Disconnect the power supply cord, and then remove outer case.
2. Open the door and block it open.
3. To discharge the high voltage capacitor, wait for 60 seconds.
4. Isolate the switch and connect the ohmmeter to the common (COM.) and normally open (NO) terminal of the switch. The meter should indicate an open circuit with the door open and a closed circuit with the door closed. If improper operation is indicated, replace the door sensing switch.
5. Reconnect all leads removed from components during testing.
6. Reinstall the outer case (cabinet).
7. Reconnect the power supply cord after the outer case is installed.
8. Run the oven and check all functions.

NOTE: If the door sensing switch contacts fail in the open position and the door is closed, the cooling fan, turntable and oven light will be activated by RY1.

PRIMARY INTERLOCK RELAY (RY2)

1. Disconnect the power supply cord, and then remove outer case.
2. Open the door and block it open.
3. To discharge the high voltage capacitor, wait for 60 seconds.
4. Disconnect two (2) wire leads from the male tab terminals of the Primary Interlock Relay. Check the state of the relay contacts using a ohmmeter. The relay contacts should be open. If the relay contacts are closed, replace the circuit board entirely or the relay itself.
5. Reconnect all leads removed from components during testing.
6. Reinstall the outer case (cabinet).
7. Reconnect the power supply cord after the outer case is installed.
8. Run the oven and check all functions.

G MONITOR SWITCH TEST

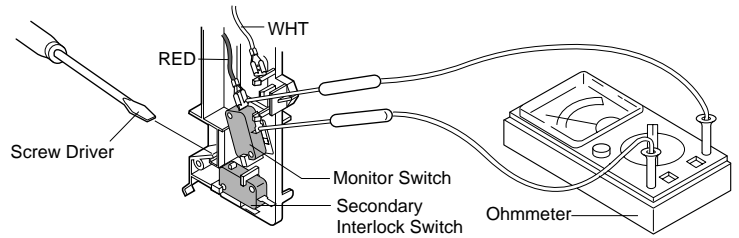
1. Disconnect the power supply cord, and then remove outer case.
2. Open the door and block it open.
3. To discharge the high voltage capacitor, wait for 60 seconds.
4. Before performing this test, make sure that the secondary interlock switch and the primary interlock relay are operating properly, according to the above Switch Test Procedure. Disconnect the wire lead from the monitor switch (COM) terminal. Check the monitor switch operation by using the ohmmeter as follows. When the door is open, the meter should indicate a closed circuit. When the monitor switch

TEST PROCEDURES

PROCEDURE LETTER	COMPONENT TEST
------------------	----------------

actuator is pushed by a screw driver through the lower latch hole on the front plate of the oven cavity with the door opened (in this condition the plunger of the monitor switch is pushed in), the meter should indicate an open circuit. If improper operation is indicated, the switch may be defective. After testing the monitor switch, reconnect the wire lead to the monitor switch (COM) terminal and check the continuity of the monitor circuit.

5. Reconnect all leads removed from components during testing.
6. Reinstall the outer case (cabinet).
7. Reconnect the power supply cord after the outer case is installed.
8. Run the oven and check all functions.



H **BLOWN MONITOR FUSE TEST**

1. Disconnect the power supply cord, and then remove outer case.
2. Open the door and block it open.
3. To discharge the high voltage capacitor, wait for 60 seconds.
4. If the monitor fuse is blown when the door is opened, check the primary interlock relay, secondary interlock switch and monitor switch according to the "TEST PROCEDURE" for those switches before replacing the blown monitor fuse.

CAUTION: BEFORE REPLACING A BLOWN MONITOR FUSE, TEST THE PRIMARY INTERLOCK RELAY, SECONDARY INTERLOCK SWITCH, DOOR SENSING SWITCH AND MONITOR SWITCH FOR PROPER OPERATION.

If the monitor fuse is blown by improper switch operation, the monitor fuse and monitor switch must be replaced with "monitor fuse and monitor switch assembly" part number FFS-BA023WRK0, even if the monitor switch operates normally. The monitor fuse and monitor switch assembly is comprised of a 20 ampere fuse and switch.

5. Reconnect all leads removed from components during testing.
6. Reinstall the outer case (cabinet).
7. Reconnect the power supply cord after the outer case is installed.
8. Run the oven and check all functions.

I **CONTROL TEST**

The control unit consists of circuits including semiconductors such as LSI, ICs, etc. Therefore, unlike conventional microwave ovens, proper maintenance cannot be performed with only a voltmeter and ohmmeter. In this service manual, the control panel unit is divided into three units, CPU Unit, Key Unit and Power Unit, and troubleshooting by unit replacement is described according to the symptoms indicated.

Before testing,

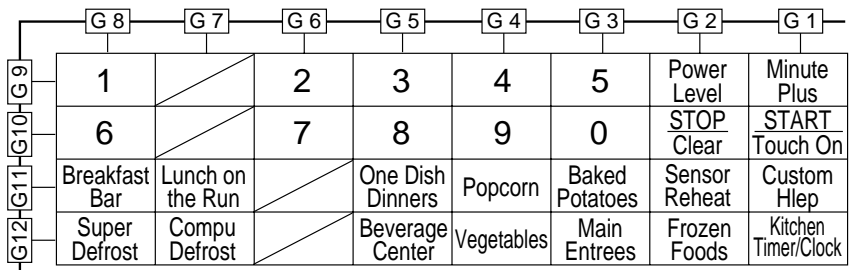
- 1) Disconnect the power supply cord, and then remove outer case.
 - 2) Open the door and block it open.
 - 3) To discharge high voltage capacitor, wait for 60 seconds.
 - 4) Disconnect the leads to the primary of the power transformer.
 - 5) Ensure that these leads remain isolated from other components and oven chassis by using insulation tape.
1. Key Unit.
The following symptoms indicate a defective key unit.
 - a) When touching the pads, a certain pad produces no signal at all.
 - b) When touching a number pad, two figures or more are displayed.
 - c) When touching the pads, sometimes a pad produces no signal.
 If the Key unit is defective, replace the door screen assembly.
 2. Control Unit
The following symptoms indicate a defective control unit. Before replacing the control unit, perform the Key unit test (Procedure J) to determine if control unit is faulty.

TEST PROCEDURES

PROCEDURE LETTER	COMPONENT TEST
2-1	In connection with pads. <ol style="list-style-type: none"> a) When touching the pads, a certain group of pads do not produce a signal. b) When touching the pads, no pads produce a signal.
2-2	In connection with indicators <ol style="list-style-type: none"> a) At a certain digit, all or some segments do not light up. b) At a certain digit, brightness is low. c) Only one indicator does not light. d) The corresponding segments of all digits do not light up; or they continue to light up. e) Wrong figure appears. f) A certain group of indicators do not light up. g) The figure of all digits flicker.
2-3	Other possible problems caused by defective control unit. <ol style="list-style-type: none"> a) Buzzer does not sound or continues to sound. b) Clock does not operate properly. c) Cooking is not possible.
	When testing and/or replacement is completed, <ol style="list-style-type: none"> 1) Disconnect the power supply cord, and then remove outer case. 2) To discharge the high voltage capacitor, wait for 60 seconds. 3) Re-install all removed parts. 4) Reconnect all leads removed from components during testing. 5) Re-install the outer case (cabinet). 6) Reconnect the power supply cord after the outer case is installed. 7) Run the oven and check all functions.

J KEY UNIT TEST

1. Disconnect the power supply cord, and then remove outer case.
2. To discharge the high voltage capacitor, wait for 60 seconds.
3. If the display fails to clear when the STOP/CLEAR pad is depressed, first verify the flat ribbon cable is making good contact, verify that the door sensing switch (stop switch) operates properly; that is the contacts are closed when the door is closed and open when the door is open. If the door sensing switch (stop switch) is good, disconnect the flat ribbon cable that connects the key unit to the control unit and make sure the door sensing switch is closed (either close the door or short the door sensing switch connector). Use the Key unit matrix indicated on the control panel schematic and place a jumper wire between the pins that correspond to the STOP/CLEAR pad making momentary contact. If the control unit responds by clearing with a beep the key unit is faulty and must be replaced. If the control unit does not respond, it is faulty and must be replaced. If a specific pad does not respond, the above method may be used (after clearing the control unit) to determine if the control unit or key pad is at fault.
4. Reconnect all leads removed from components during testing.
5. Re-install the outer case (cabinet).
6. Reconnect the power supply cord after the outer case is installed.
7. Run the oven and check all functions.



K RELAY TEST

1. Disconnect the power supply cord, and then remove outer case.
2. Open the door and block it open.
3. To discharge the high voltage capacitor, wait for 60 seconds.
4. Disconnect the leads to the primary of the power transformer.
5. Ensure that these leads remain isolated from other components and oven chassis by using insulation tape.

TEST PROCEDURES

PROCEDURE LETTER	COMPONENT TEST
------------------	----------------

6. After that procedure, re-connect the power supply cord.
7. Remove the outer case and check voltage between Pin No. 1 of the 2 pin connector (A) and the normal open terminal of the relay RY1 on the control unit with an A.C. voltmeter.
The meter should indicate 120 volts, if not check oven circuit.

RY1 and RY2 Relay Test

These relays are operated by D.C. voltage
Check voltage at the relay coil with a D.C. voltmeter during the microwave cooking operation.
DC. voltage indicated Defective relay.
DC. voltage not indicated Check diode which is connected to the relay coil. If diode is good, control unit is defective.

RELAY SYMBOL	OPERATIONAL VOLTAGE	CONNECTED COMPONENTS
RY1	Approx. 23.4V D.C.	Oven lamp / Turntable motor / Cooling fan motor
RY2	Approx. 22.5V D.C.	Power transformer

8. Disconnect the power supply cord, and then remove outer case.
9. Open the door and block it open.
10. To discharge the high voltage capacitor. wait for 60 seconds.
11. Reconnect all leads removed from components during testing.
12. Re-install the outer case (cabinet).
13. Reconnect the power supply cord after the outer case is installed.
14. Run the oven and check all function.

L COMPU DEFROST TEST

WARNING : The oven should be fully assembled before following procedure.

- (1) Place one cup of water in the center of the turntable tray in the oven cavity.
- (2) Close the door, touch the " COMPU DEFROST " pad and then touch the Number pad "2".
- (3) Touch the Number pad " 5 " and then touch the " START " pad.
- (4) The oven is in Compu Defrost cooking condition.
- (5) The oven will operate as follows. (in case of Steak/Chops 0.5lb)

WEIGHT	1ST STAGE		2ND STAGE	
	LEVEL	TIME	LEVEL	TIME
0.5lb	60%	30sec.	40%	30sec.

- (6) If improper operation is indicated, the control unit is probably defective and should be checked.

M FOIL PATTERN ON THE PRINTED WIRING BOARD TEST

To protect the electronic circuits, this model is provided with a fine foil pattern added to the primary on the PWB, this foil pattern acts as a fuse.

1. Foil pattern check and repairs.
 - 1) Disconnect the power supply cord, and then remove outer case.
 - 2) Open the door and block it open.
 - 3) To discharge the high voltage capacitor, wait for 60 seconds.
 - 4) Follow the troubleshooting guide given below for repair.

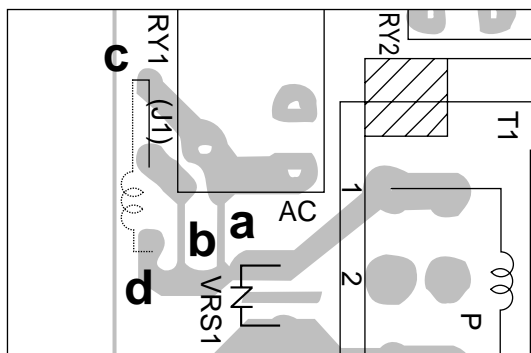
STEPS	OCCURRENCE	CAUSE OR CORRECTION
1	Only pattern at "a" is broken.	*Insert jumper wire J1 and solder.
2	Pattern at "a" and "b" are broken.	*Insert the coil RCILF2003YAZZ between "c" and "d".

- 5) Make a visual inspection of the varistor. Check for burned damage and examine the transformer with a tester for the presence of layer short-circuit (check the primary coil resistance which is approximately $212\Omega \pm 10\%$). If any abnormal condition is detected, replace the defective parts.

TEST PROCEDURES

PROCEDURE LETTER	COMPONENT TEST
------------------	----------------

- 6) Reconnect all leads removed from components during testing.
 - 7) Re-install the outer case (cabinet).
 - 8) Reconnect the power supply cord after the outer case is installed.
 - 9) Run the oven and check all functions.
2. Follow the troubleshooting guide given below, if the indicator does not light up after above check and repairs are finished.
- 1) Disconnect the power supply cord, and then remove outer case.
 - 2) Open the door and block it open.
 - 3) To discharge the high voltage capacitor, wait for 60 seconds.
 - 4) Disconnect the leads to the primary of the power transformer.
 - 5) Ensure that these leads remain isolated from other components and oven chassis by using insulation tape.
 - 6) After that procedure, re-connect the power supply cord.
 - 7) Follow the troubleshooting guide given below for repair.



STEPS	OCCURRENCE	CAUSE OR CORRECTION
1	The rated AC voltage is not present between Pin No. 1 of the 2-pin connector (A) and the normal open terminal of the relay RY1.	Check supply voltage and oven power cord.
2	The rated AC voltage is present at primary side of low voltage transformer.	Low voltage transformer or secondary circuit defective. Check and repair.

- 8) Disconnect the power supply cord, and then remove outer case.
- 9) Open the door and block it open.
- 10) To discharge the high voltage capacitor, wait for 60 seconds.
- 11) Reconnect all leads removed from components during testing.
- 12) Re-install the outer case (cabinet).
- 13) Reconnect the power supply cord after the outer case is installed.
- 14) Run the oven and check all functions.

N AH SENSOR TEST

Checking the initial sensor cooking condition

WARNING : The oven should be fully assembled before following procedure.

- (1) The oven should be plugged in at least two minutes before sensor cooking.
- (2) Room temperature should not exceed 95°F (35°C).
- (3) The unit should not be installed in any area where heat and steam are generated. The unit should not be installed, for example, next to a conventional surface unit. Refer to the "INSTALLATION INSTRUCTIONS" of the operation manual.
- (4) Exhaust vents are provided on the back of the unit for proper cooling and air flow in the cavity. To permit adequate ventilation, be sure to install so as not to block these vents. There should be some space for air circulation.
- (5) Be sure the exterior of the cooking container and the interior of the oven are dry. Wipe off any moisture with a dry cloth or paper towel.
- (6) The Sensor works with food at normal storage temperature. For example, chicken pieces would be at refrigerator temperature and canned soup at room temperature.
- (7) Avoid using aerosol sprays or cleaning solvents near the oven while using Sensor settings. The sensor will detect the vapor given off by the spray and turn off before food is properly cooked.
- (8) If the sensor has not detected the vapor of the food, ERROR will appear and the oven will shut off.

Water load cooking test

TEST PROCEDURES

PROCEDURE LETTER	COMPONENT TEST
---------------------	----------------

WARNING : The oven should be fully assembled before following procedure.

Make sure the oven has been plugged in at least two minutes before checking sensor cook operation. The cabinet should be installed and screws tightened.

- (1) Fill approximately 200 milliliters (7.2 oz) of tap water in a 1000 milliliter measuring cup.
- (2) Place the container on the center of tray in the oven cavity.
- (3) Close the door.
- (4) Touch Lunch on the Run pad and then touch number 2 pad, and touch the start pad. Now, the oven is in the sensor cooking condition and "HOT DOGS IN BUNS SENSOR COOK" will appear in the display.
- (5) The oven will operate for the first 16 seconds, without generating microwave energy.

NOTE: ERROR will appear if the door is opened or STOP/CLEAR pad is touched during first stage of sensor cooking.

- (6) After approximately 16 seconds, microwave energy is produced, and the display should start to count down the remaining cooking time and oven should turn off after water is boiling (bubbling).

If the oven does not turn off, replace the AH sensor or check the control unit, refer to explanation below.

TESTING METHOD FOR AH SENSOR AND/OR CONTROL UNIT

To determine if the sensor is defective, the simplest method is to replace it with a new replacement sensor.

- (1) Disconnect the power supply cord, and then remove outer case.
- (2) Open the door and block it open.
- (3) Discharge high voltage capacitor.
- (4) Remove the AH sensor.
- (5) Install the new AH sensor.
- (6) Reconnect all leads removed from components during testing.
- (7) Re-install the outer case (cabinet).
- (8) Reconnect the power supply cord after the outer case is installed.
- (9) Reconnect the oven to the power supply and check the sensor cook operation as follows:
 - 9-1. Fill approximately 200 milliliters (7.2 oz) of tap water in a 1000 milliliter measuring cup.
 - 9-2. Place the container on the center of tray in the oven cavity.
 - 9-3. Close the door.
 - 9-4. Touch Lunch on the Run pad and then touch number 2 pad, and touch the Start pad.
 - 9-5. The control panel is in automatic Sensor operation.
 - 9-6. The display will start to count down the remaining cooking time, and the oven will turn off automatically after the water is boiling (bubbling).

If new sensor does not operate properly, the problem is with the control unit, and refer to explanation below.

CHECKING CONTROL UNIT

- (1) Disconnect the power supply cord, and then remove outer case.
- (2) Open the door and block it open.
- (3) Discharge high voltage capacitor.
- (4) Disconnect the sensor connector that is mounted to control panel.
- (5) Then connect the dummy resistor circuit (see fig. below) to the sensor connector of control panel.
- (6) Disconnect the leads to the primary of the power transformer.
- (7) Ensure that these leads remain isolated from other components and oven chassis by using insulation tape.
- (8) After that procedure, re-connect the power supply cord.
- (9) Check the sensor cook operation proceed as follows:
 - 9-1. Touch Lunch on the Run pad and then touch number 2 pad, and touch the Start pad.
 - 9-2. The control panel is in the sensor cooking operation.
 - 9-3. After approximately 20 seconds, push plunger of select switch for more than 3 seconds. This condition is same as judgement by AH sensor.
 - 9-4. After approximately 3 seconds, the display shows " X X . X X " which is the remaining cooking time, and the display counts down.

If the above is not the case, the control unit is probably defective.

If the above is indicated, the AH sensor is probably defective.

- (10) Disconnect the power supply cord, and then remove outer case.

TEST PROCEDURES

PROCEDURE LETTER	COMPONENT TEST
	<p>(11) Open the door and block it open. (12) Discharge high voltage capacitor. (13) Disconnect the dummy resistor circuit from the sensor connector of control panel. (14) Carry out necessary repair. (15) Reconnect all leads removed from components during testing and repairing. (16) Re-install the outer case (cabinet). (17) Reconnect the power supply cord after the outer case is installed. Run the oven and check all functions. (18) Carry out "Water load cooking test" again and ensure that the oven works properly.</p> <p>R1, R2 : 22Ω ±1% 1/2W R3 : 4.3kΩ ±5% 1/4W R4 : 1MΩ ±5% 1/4W</p> <p style="text-align: center;">Sensor Dummy Resistor Circuit</p>

TOUCH CONTROL PANEL ASSEMBLY

OUTLINE OF TOUCH CONTROL PANEL

The touch control section consists of the following units.

- (1) Key Unit
- (2) Control Unit (The Control Unit consists of Power Unit and CPU Unit).

The principal functions of these units and the signals communicated among them are explained below.

Key Unit

The key unit is composed of a matrix, signals generated in the LSI are sent to the key unit through P10-P17. When a key pad is touched, a signal is completed through the key unit and passed back to the LSI through AN8 - AN11 to perform the function that was requested.

Control Unit

Control unit consists of LSI, ACL circuit, indicator circuit, power source circuit, relay circuit, buzzer circuit, synchronizing signal circuit, absolute humidity sensor circuit and back light circuit.

1) ACL

This circuit generates a signal which resets the LSI to the initial state when power is supplied.

2) Indicator Circuit

This circuit consists of 40 segments and 16 common electrodes using a Liquid Crystal Display. The Liquid Crystal Display (LCD) is driven by LCD driver IC3.

3) Power Source Circuit

This circuit generates voltages necessary in the control unit from the AC line voltage. In addition, the synchronizing signal is available in order to compose a basic standard time in the clock circuit.

Symbol	Voltage	Application
VC	-5V	LSI(IC1)

4) Relay Circuit

A circuit to drive the magnetron, fan motor, turntable motor and light the oven lamp.

5) Buzzer Circuit

The buzzer is responsive to signals from the LSI to emit audible sounds (key touch sound and completion sound).

6) Synchronizing Signal Circuit

The power source synchronizing signal is available in order to compose a basic standard time in the clock circuit.

It accompanies a very small error because it works on commercial frequency.

7) Door Sensing Switch

A switch to "tell" the LSI if the door is open or closed.

8) Back Light Circuit

A circuit to drive the back light (Light emitting diodes LD10- LD19).

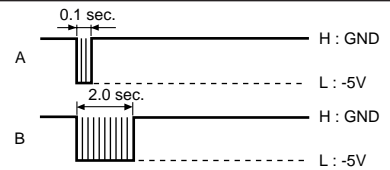
9) Absolute Humidity Sensor Circuit

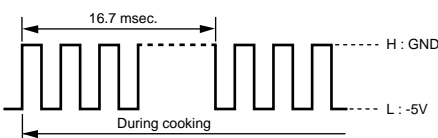
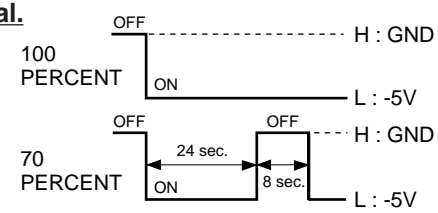
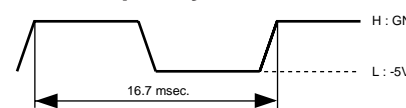
This circuit detects moisture of the cooking food to allow its automatic cooking.

LSI(IXA054DR)

The I/O signal of the LSI(IXA054DR) is detailed in the following table.

Pin No.	Signal	I/O	Description
1	AN10	IN	Signal coming from touch key. When either G10 line on key matrix is touched, a corresponding signal out of P10 - P17 will be input into AN10. When no key is touched, the signal is held at "H" level.
2	AN11	IN	Signal similar to AN10. When either G9 line on key matrix is touched, a corresponding signal will be input into AN11.
3	AVSS	IN	Connected to VC.
4	P10	OUT	Key strobe signal. Signal applied to touch-key section. A pulse signal is input to AN8 - AN11 terminal while one of G8 line keys on key matrix is touched.
5	P11	OUT	Key strobe signal. Signal applied to touch-key section. A pulse signal is input to AN8 - AN11 terminal while one of G7 line keys on key matrix is touched.
6	P12	OUT	Key strobe signal. Signal applied to touch-key section. A pulse signal is input to AN8 - AN11 terminal while one of G6 line keys on key matrix is touched.
7	P13	OUT	Key strobe signal. Signal applied to touch-key section. A pulse signal is input to AN8 - AN11 terminal while one of G5 line keys on key matrix is touched.
8	P14	OUT	Key strobe signal. Signal applied to touch-key section. A pulse signal is input to AN8 - AN11 terminal while one of G4 line keys on key matrix is touched.
9	P15	OUT	Key strobe signal. Signal applied to touch-key section. A pulse signal is input to AN8 - AN11 terminal while one of G3 line keys on key matrix is touched.
10	P16	OUT	Key strobe signal. Signal applied to touch-key section. A pulse signal is input to AN8 - AN11 terminal while one of G2 line keys on key matrix is touched.
11	P17	OUT	Key strobe signal. Signal applied to touch-key section. A pulse signal is input to AN8 - AN11 terminal while one of G1 line keys on key matrix is touched.
12	X1	IN	Connected to GND.
13	X2	OUT	Terminal not used.
14	VSS	IN	Power source voltage : -5.0V. The power source voltage to drive LSI is input to VSS terminal. Connected to VC.
15	OSC2	OUT	Internal clock oscillation output. Output to control oscillation input of OSC1.
16	OSC1	IN	Internal clock oscillation frequency control input setting. The internal clock frequency is set by inserting the ceramic filter oscillation circuit with respect to OSC2 terminal.
17	TEST	IN	Connected to VC.
18	RES	IN	Auto clear terminal. Signal is input to reset the LSI to the initial state when power is applied. Temporarily set "L" level the moment power is applied, at this time the LSI is reset. Thereafter set at "H" level.
19	P20	OUT	Signal to sound buzzer (2.0 kHz). A: key touch sound. B: Completion sound.
20-22	P21-P23	OUT	Terminal not used.



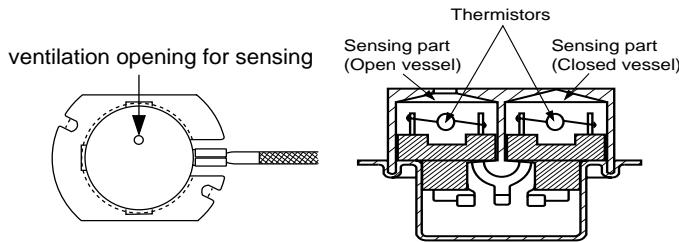
Pin No.	Signal	I/O	Description
23	P24	OUT	<p>Oven lamp, fan motor and turntable motor driving signal To turn on and off shut off relay (RY1). The square waveform voltage is delivered to the RY1 driving circuit and RY2 control circuit.</p> 
24	P25	OUT	<p>Magnetron high-voltage circuit driving signal. To turn on and off the cook relay (RY2). The signals holds "L" level during microwave cooking and "H" level while not cooking. In other cooking modes (variable cooking) the signal turns to "H" level and "L" level in repetition according to the power level.</p>  <p style="text-align: right;">(ON and OFF times for other power level.)</p>
25	P26	OUT	Back light (Light emitting diodes) circuit driving signal.
26	P27	OUT	Terminal not used.
27-29	P30-P32	OUT	Terminal not used.
30-34	P33-P37	OUT	Used for initial balancing of the bridge circuit (absolute humidity sensor).
35	CVCC	IN	<p>Power source voltage: GND(0V). The power source voltage to drive LSI is input to CVCC terminal. Connected to GND.</p>
36	VSS	IN	<p>Power source voltage: -5.0V. The power source voltage to the LSI is input to VSS terminal. Connected to VC.</p>
37-38	V3-V2	IN	Terminal not used.
39-40	V1-V0	IN	<p>Power source voltage input terminal. Standard voltage for LCD. Connected to GND.</p>
41	VCC	IN	<p>Power source voltage : GND(0V). The power source voltage to drive LSI is input to VCC terminal.</p>
42-45	COM4-COM1	OUT	Terminal not used.
46-65	SEG1-SEG20	OUT	Terminal not used.
66-69	P74-P77	OUT	Data output terminal to LCD driver IC3.
70-77	P80-P87	OUT	Data output terminal to LCD driver IC3.
78-79	P90-P91	OUT	Data output terminal to LCD driver IC3.
80-85	SEG35-SEG40	OUT	Terminal not used.
86-88	P40-P42	OUT	Terminal not used.
89	IRQ0	IN	<p>Signal synchronized with commercial power source frequency. This is the basic timing for time processing of LSI.</p> 
90	AVCC	IN	<p>A/D converter power source voltage : GND(0V). The power source voltage to drive the A/D converter. Connected to GND.</p>
91	AN0	IN	Used for initial balancing of the bridge circuit (absolute humidity sensor). This input is an analog input terminal from the AH sensor circuit, and connected to the A/D converter built into the LSI.
92	AN1	IN	<p>AH sensor input. This input is an analog input terminal from the AH sensor circuit, and connected to the A/D converter built into the LSI.</p>
93	AN2	IN	<p>To input signal which communicates the door open/close information to LSI. Door close "H" level signal (0V). Door open "L" level signal (-5V).</p>
94	AN3	IN	Connected to VC through the pull-down resistor.

Pin No.	Signal	I/O	Description
95-98	AN4-AN7	IN	Terminal to change cooking input according to the Model. By using the A/D converter contained in the LSI, DC voltage in accordance with the Model in operation is applied to set up its cooking constant.
99	AN8	IN	Signal similar to AN17. When either G12 line on key matrix is touched, a corresponding signal will be input into AN8.
100	AN9	IN	Signal similar to AN17. When either G12 line on key matrix is touched, a corresponding signal will be input into AN9.

ABSOLUTE HUMIDITY SENSOR CIRCUIT

(1) Structure of Absolute Humidity Sensor

The absolute humidity sensor includes two thermistors as shown in the illustration. One thermistor is housed in the closed vessel filled with dry air while another in the open vessel. Each sensor is provided with the protective cover made of metal mesh to be protected from the external airflow.

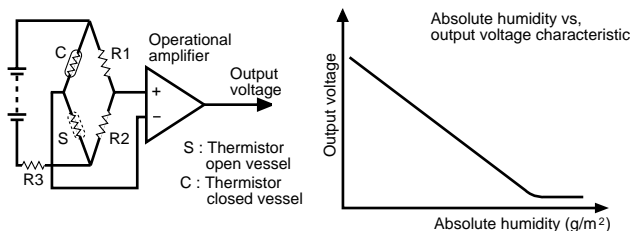


(2) Operational Principle of Absolute Humidity Sensor

The figure below shows the basic structure of an absolute humidity sensor. A bridge circuit is formed by two thermistors and two resistors (R1 and R2).

The output of the bridge circuit is to be amplified by the operational amplifier.

Each thermistor is supplied with a current to keep it heated at about 150°C (302°F), the resultant heat is dissipated in the air and if the two thermistors are placed in different humidity conditions they show different degrees of heat conductivity leading to a potential difference between them causing an output voltage from the bridge circuit, the intensity of which is increased as the absolute humidity of the air increases. Since the output is very minute, it is amplified by the operational amplifier.



(3) Detector Circuit of Absolute Humidity Sensor Circuit

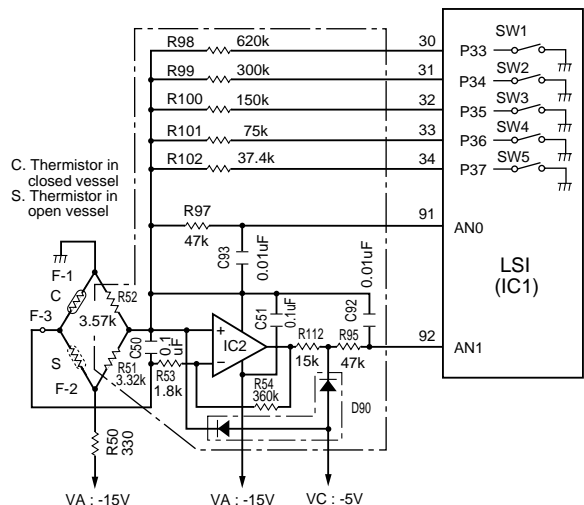
This detector circuit is used to detect the output voltage of the absolute humidity circuit to allow the LSI to control sensor cooking of the unit. When the unit is set in the sensor cooking mode, 16 seconds clearing cycle occurs

than the detector circuit starts to function and the LSI observes the initial voltage available at its AN1 terminal. With this voltage given, the switches SW1 to SW5 in the LSI are turned on in such a way as to change the resistance values in parallel with R107 ~ R111 of IC2. Changing the resistance values results in that there is the same potential at both F-3 terminal of the absolute humidity sensor and AN0 terminal of the LSI. The voltage of AN1 terminal will indicate about -2.5V. This initial balancing is set up about 16 seconds after the unit is put in the Sensor Cooking mode. As the sensor cooking proceeds, the food is heated to generate moisture by which the resistance balance of the bridge circuit is deviated to increase the voltage available at AN1 terminal of the LSI.

Then the LSI observes that voltage at AN1 terminal and compares it with its initial value, and when the comparison rate reaches the preset value (fixed for each menu to be cooked), the LSI causes the unit to stop sensor cooking; thereafter, the unit goes in the next operation automatically.

When the LSI starts to detect the initial voltage at AN1 terminal 16 seconds after the unit has been put in the Sensor Cooking mode, if it is not possible to balance the bridge circuit due to disconnection of the absolute humidity sensor, ERROR will appear on the display and the cooking is stopped.

1) Absolute humidity sensor circuit



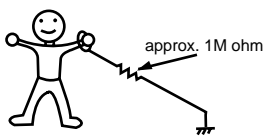
TOUCH CONTROL PANEL SERVICING

1. Precautions for Handling Electronic Components

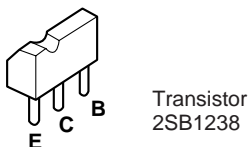
This unit uses CMOS LSI in the integral part of the circuits. When handling these parts, the following precautions should be strictly followed. CMOS LSI have extremely high impedance at its input and output terminals. For this reason, it is easily influenced by the surrounding high voltage power source, static electricity charge in clothes, etc. and sometimes it is not fully protected by the built-in protection circuit.

In order to protect CMOS LSI.

- 1) When storing and transporting, thoroughly wrap them in aluminium foil. Also wrap all PW boards containing them in aluminium foil.
- 2) When soldering, ground the technician as shown in the figure and use grounded soldering iron and work table.



2. Shape of Electronic Component



3. Servicing of Touch Control Panel

We describe the procedures to permit servicing of the touch control panel of the microwave oven and the precautions you must take when doing so. To perform the servicing, power to the touch control panel is available either from the power line of the oven itself or from an external power source.

(1) Servicing the touch control panel with power supply of the oven:

CAUTION:

THE HIGH VOLTAGE TRANSFORMER OF THE MICROWAVE OVEN IS STILL LIVE DURING SERVICING AND PRESENTS A HAZARD.

Therefore, before checking the performance of the touch control panel,

- 1) Disconnect the power supply cord, and then remove outer case.
- 2) Open the door and block it open.
- 3) Discharge high voltage capacitor.
- 4) Disconnect the leads to the primary of the power transformer.
- 5) Ensure that these leads remain isolated from other components and oven chassis by using insulation tape.
- 6) After that procedure, re-connect the power supply cord.

After checking the performance of the touch control panel,

- 1) Disconnect the power supply cord.
- 2) Open the door and block it open.
- 3) Re-connect the leads to the primary of the power transformer.

- 4) Re-install the outer case (cabinet).
- 5) Re-connect the power supply cord after the outer case is installed.
- 6) Run the oven and check all functions.

- A. On some models, the power supply cord between the touch control panel and the oven itself is so short that the two can't be separated. For those models, check and repair all the controls (sensor-related ones included) of the touch control panel while keeping it connected to the oven.
- B. On some models, the power supply cord between the touch control panel and the oven proper is long enough that they may be separated from each other. For those models, it is possible to check and repair the controls of the touch control panel while keeping it apart from the oven proper; in this case you must short both ends of the door sensing switch (on PWB) of the touch control panel with a jumper, which activates an operational state that is equivalent to the oven door being closed. As for the sensor-related controls of the touch control panel, checking them is possible if dummy resistor(s) with resistance equal to that of the controls are used.

(2) Servicing the touch control panel with power supply from an external power source:

Disconnect the touch control panel completely from the oven proper, and short both ends of the door sensing switch (on PWB) of the touch control panel, which activates an operational state that is equivalent to the oven door being closed. Connect an external power source to the power input terminal of the touch control panel, then it is possible to check and repair the controls of the touch control panel it is also possible to check the sensor-related controls of the touch control panel by using the dummy resistor(s).

4. Servicing Tools

Tools required to service the touch control panel assembly.

- 1) Soldering iron: 30W
(It is recommended to use a soldering iron with a grounding terminal.)
- 2) Oscilloscope: Single beam, frequency range: DC-10MHz type or more advanced model.
- 3) Others: Hand tools

5. Other Precautions

- 1) Before turning on the power source of the control unit, remove the aluminium foil applied for preventing static electricity.
- 2) Connect the connectors of the key unit to the control unit being sure that the lead wires are not twisted.
- 3) After aluminium foil is removed, be careful that abnormal voltage due to static electricity etc. is not applied to the input or output terminals.
- 4) Attach connectors, electrolytic capacitors, etc. to PWB, making sure that all connections are tight.
- 5) Be sure to use specified components where high precision is required.

COMPONENT REPLACEMENT AND ADJUSTMENT PROCEDURE

WARNING AGAINST HIGH VOLTAGE:

Microwave ovens contain circuitry capable of producing very high voltage and current, contact with following parts may result in severe, possibly fatal, electric shock.

(Example)

High Voltage Capacitor, Power Transformer, Magnetron, High Voltage Rectifier Assembly, High Voltage Harness etc..

WARNING: Avoid possible exposure to microwave energy. Please follow the instructions below before operating the oven.

1. Disconnect the power supply cord.
2. Visually check the door and cavity face plate for damage (dents, cracks, signs of arcing etc.).

Carry out any remedial work that is necessary before operating the oven.

Do not operate the oven if any of the following conditions exist;

1. Door does not close firmly.
2. Door hinge, support or latch hook is damaged.
3. The door gasket or seal is damaged.

4. The door is bent or warped.
5. There are defective parts in the door interlock system.
6. There are defective parts in the microwave generating and transmission assembly.
7. There is visible damage to the oven.

Do not operate the oven:

1. Without the RF gasket (Magnetron).
2. If the wave guide or oven cavity are not intact.
3. If the door is not closed.
4. If the outer case (cabinet) is not fitted.

WARNING FOR WIRING

To prevent an electric shock, take the following precautions.

1. Before wiring,
 - 1) Disconnect the power supply cord.
 - 2) Open the door block it open.
 - 3) To discharge the high voltage capacitor, wait for 60 seconds.
2. Don't let the wire leads touch to the following parts;
 - 1) High voltage parts:
Magnetron, High voltage transformer, High voltage capacitor and High voltage rectifier assembly.
 - 2) Hot parts:
Oven lamp, Magnetron, High voltage transformer

and Oven cavity.

- 3) Sharp edge:
Base plate, Oven cavity, Waveguide flange, Angles, Guides and other metallic plates.
- 4) Movable parts (to prevent a fault)
Close flow fan, Fan motor, Switch.
3. Do not catch the wire leads in the outer case cabinet.
4. Insert the positive lock connector until its pin is locked and make sure that the wire leads do not come off even if the wire leads are pulled.
5. To prevent an error function, connect the wire leads correctly, referring to the Pictorial Diagram.

Please refer to 'OVEN PARTS, CABINET PARTS, CONTROL PANEL PARTS, DOOR PARTS', when carrying out any of the following removal procedures:

OUTER CASE REMOVAL

To remove the outer case, proceed as follows.

1. Disconnect the power supply cord.
2. Open the oven door and block it open.
3. To discharge the high voltage capacitor, wait for 60 seconds.
4. Remove the two (2) screws from the lower portion of the rear cabinet using a T20H Torx type or GTXH20-100 screw driver.
5. Remove the remaining three (3) screws from rear and two (2) screws along the right and left sides of outer case.
6. Slide the entire outer case back out about 1 inch (3 cm) to free it from retaining clips on the cavity face plate.

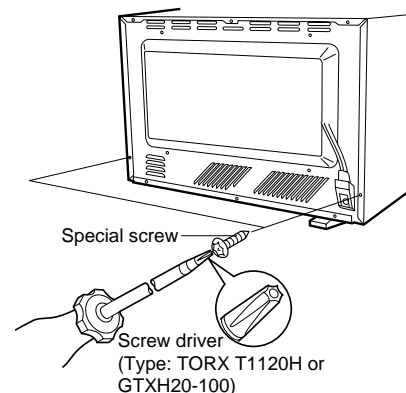


Figure C-1. Special screw position

7. Lift entire outer case from the unit.

CAUTION: 1. DISCONNECT OVEN FROM POWER SUPPLY BEFORE REMOVING OUTER CASE.
2. DISCHARGE THE HIGH VOLTAGE CAPACITOR BEFORE TOUCHING ANY OVEN

COMPONENTS OR WIRING.

NOTE: When replacing the outer case, the 2 special Torx screws must be reinstalled in the same locations.

OVEN CAVITY ASSEMBLY REMOVAL

Before removal of the power transformer, high voltage capacitor, high voltage rectifier, magnetron, fan motor and turntable motor, the oven cavity must be removed from base plate as follows.

Removal

1. Disconnect the power supply cord and then remove outer case (refer to "OUTER CASE REMOVAL").
2. Open the oven door and block it open.
3. It is recommended that the door is removed from the oven cavity. Refer to "DOOR REPLACEMENT".
4. Disconnect the wire leads from the power supply cord, power unit, turntable motor, thermal cut-out (oven), thermal cut-out (MG.), all switches on the latch hook and the magnetron.
5. Release the two (2) snap bands of the main wire harness from the oven cavity.
6. Remove the lamp socket from the lamp angle. Refer to "OVEN LAMP AND LAMP SOCKET REMOVAL".
7. Remove the two (2) screws holding the front leg to the oven cavity.
8. Remove the front leg from the oven cavity by releasing the three (3) tabs.
9. Remove the two (2) screws holding the waveguide flange of the oven cavity to the base plate.
10. Remove the three (3) screws holding the base plate to the oven cavity front plate.
11. Remove the three (3) screws holding the base plate to the oven cavity back plate.
12. Lift up the oven cavity assembly and remove it from the base plate.
13. Now the power transformer, high voltage capacitor, high voltage rectifier and fan motor can be found on the base

plate.

14. The magnetron can be found at waveguide flange of the oven cavity.

15. The turntable motor can be found under the oven cavity bottom plate.

Reinstallation

1. Make sure that the electrical parts on the base plate are reinstalled at their positions.
2. Make sure that the wire leads are reconnected to their correct positions. Refer to the "PICTORIAL DIAGRAM".
3. Reinstall the oven cavity assembly on the base plate.
4. Hold the base plate to the oven cavity back plate with three (3) screws.
5. Hold the base plate to the oven cavity front plate with three (3) screws.
6. Hold the waveguide flange of the oven cavity to the base plate with two (2) screws.
7. Reinstall the front leg to the oven cavity front plate.
8. Hold the front leg to the oven cavity front plate with two (2) screws.
9. Reinstall the lamp socket to the lamp angle. Refer to procedures of "OVEN LAMP AND LAMP SOCKET REMOVAL".
10. Insert the two (2) snap bands of main wire harness to the two (2) holes of oven cavity.
11. Reconnect the wire leads to the magnetron, all switches, thermal cut-out (MG.), thermal cut-out (oven.), lamp socket, turntable motor and power supply cord. Refer to the "PICTORIAL DIAGRAM" on page 32.
12. If the door has been removed, reinstall the door to the oven cavity. Refer to "DOOR REPLACEMENT".
13. Now, the oven cavity assembly should be reinstalled.

POWER TRANSFORMER REMOVAL

1. Disconnect the power supply cord and then remove outer case.
2. Remove the oven cavity assembly from the base plate. Refer to "OVEN CAVITY ASSEMBLY REMOVAL".
3. Discharge the high voltage capacitor.
4. Disconnect the wire leads (primary and high voltage) from power transformer and the filament leads from the magnetron and capacitor terminals.
5. Remove four (4) screws holding transformer to base plate.
6. Remove transformer from base plate.

Reinstallation

1. Rest transformer on the base plate with its primary terminals toward the left side.
2. Secure transformer with four screws to base plate.
3. Re-connect wire leads (primary and high voltage) to power transformer and filament leads of transformer to magnetron and high voltage capacitor. Refer to "PICTORIAL DIAGRAM".
4. Reinstall the oven cavity assembly to the base plate. Refer to "OVEN CAVITY ASSEMBLY REMOVAL".
5. Re-install outer case and check that oven is operating properly.

HIGH VOLTAGE RECTIFIER AND HIGH VOLTAGE CAPACITOR REMOVAL

1. Disconnect the power supply cord and then remove outer case.
2. Remove the oven cavity assembly from the base plate. Refer to "OVEN CAVITY ASSEMBLY REMOVAL".

3. Discharge the high voltage capacitor.
4. Disconnect the high voltage wire B from the power transformer.
5. Disconnect the high voltage wire of the high voltage rectifier assembly from the magnetron.
6. Disconnect the filament lead (short one) of the power transformer from the high voltage capacitor.
7. Remove one (1) screw holding capacitor holder to base plate.
8. Remove one (1) screw holding high voltage rectifier assembly to capacitor holder.

9. Disconnect rectifier terminal from the capacitor. High voltage rectifier assembly is now free.
10. Disconnect the high voltage wire B from the high voltage capacitor.
11. Remove the capacitor holder. The capacitor is now free.

CAUTION: WHEN REPLACING HIGH VOLTAGE RECTIFIER AND HIGH VOLTAGE CAPACITOR, GROUND SIDE TERMINAL OF THE HIGH VOLTAGE RECTIFIER MUST BE SECURED FIRMLY WITH A GROUNDING SCREW.

MAGNETRON REMOVAL

Removal

1. Disconnect the power supply cord and then remove outer case.
2. Remove the oven cavity assembly from the base plate. Refer to "OVEN CAVITY ASSEMBLY REMOVAL".
3. Discharge the high voltage capacitor.
4. Now, the wire leads should be disconnected from the magnetron and thermal cut-out (MG).
5. Carefully remove the four (4) screws holding magnetron to waveguide flange.
6. Remove magnetron with care so that magnetron antenna is not hit by any metal object around antenna.
7. Remove the two (2) screws holding the magnetron thermal cut-out angle to the magnetron.
8. Remove the magnetron thermal cut-out angle with thermal cut-out (MG) from magnetron.
9. Now, the magnetron is free.

Reinstallation

1. Re-install the magnetron thermal cut-out angle with thermal cut-out (MG) to magnetron with the two (2) screws.
2. Re-install the magnetron to waveguide flange with the four (4) screws.
3. Re-install the oven cavity assembly to the base plate. Refer to "OVEN CAVITY ASSEMBLY REMOVAL".
4. Reconnect the wire leads to the magnetron and thermal cut-out (MG). Refer to "PICTORIAL DIAGRAM" on page 32.
5. Re-install outer case and check that the oven is operating properly.

CAUTION: WHEN REPLACING MAGNETRON, BE SURE THE R.F. GASKET IS IN PLACE AND MOUNTING SCREWS ARE TIGHTENED SECURELY.

OVEN LAMP AND LAMP SOCKET REMOVAL

1. Disconnect the power supply cord and remove outer case.
2. Open the door and block it open.
3. To discharge the high voltage capacitor, wait for 60 seconds.
4. Remove the oven lamp from the oven lamp socket.
5. Pull the wire leads from the oven lamp socket by pushing the terminal hole of the oven lamp socket with the small flat type screw driver.
6. Bend the tab of the partition angle holding the lamp socket.
7. Remove the oven lamp socket from the lamp angle.
8. Now, the oven lamp socket is free.

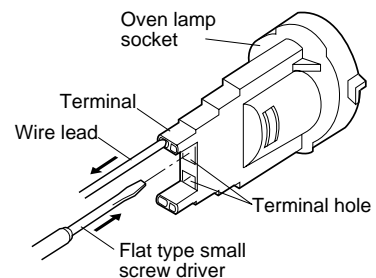


Figure C-2. Oven lamp socket

FAN MOTOR REMOVAL

REMOVAL

1. Disconnect the power supply cord and then remove the outer case.
2. Remove the oven cavity assembly from the base plate. Refer to "OVEN CAVITY ASSEMBLY REMOVAL".
3. Discharge the high voltage capacitor.
4. Disconnect the wire leads from the fan motor.
5. Remove one (1) screw holding the separate angle B to the base plate. And remove it from base plate.
6. Remove two (2) screws holding the magnetron air guide B to the base plate and fan case assembly. And remove it from the base plate.

7. Remove two (2) screws holding the magnetron air guide A to the base plate and fan case assembly. And remove it from the base plate.
8. Remove four (4) screws holding the fan case assembly to the base plate.
9. By sliding the fan case assembly rightward, remove the fan case assembly with the fan motor from the base plate.
10. By using a hexagonal key wrench (2 mm), loosen the one (1) hexagonal screw holding the cross flow fan to the fan motor shaft.
11. Remove the two (2) screws holding the fan motor mounting angle to the fan case assembly.

12. Remove the fan motor with the fan motor mounting angle from the fan case assembly and the cross flow fan.
13. Remove the two (2) screws holding the fan motor

- mounting angle to the fan motor.
14. Now, the fan motor is free.

TURNTABLE MOTOR REMOVAL

1. Disconnect the power supply cord.
2. Remove turntable and turntable support from oven cavity.
3. Lay the oven on it's backside. Remove the turntable motor cover by snipping off the material in four corners.
4. Where the corners have been snipped off bend corner areas flat.
5. Disconnect wire leads from turntable motor. (See "Positive lock connector removal")
6. Remove two (2) screws holding turntable motor to oven

- cavity.
7. Remove the TTM packing from the turntable motor shaft.
8. Now the turntable motor is free.
9. After replacement use the one (1) screw to fit the turntable motor cover.

CAUTION: NO SHARP EDGES MUST BE EVIDENT AFTER REMOVAL OF THE TURNTABLE MOTOR COVER.

POSITIVE LOCK® CONNECTOR (NO-CASE TYPE) REMOVAL

1. Disconnect the power supply cord, and then remove outer case.
2. Open the door and block it open.
3. Discharge high voltage capacitor.
4. Push the lever of positive lock® connector.
5. Pull down on the positive lock® connector.

CAUTION: WHEN CONNECTING THE POSITIVE LOCK® CONNECTORS TO THE TERMINALS, CONNECT THE POSITIVE LOCK® SO THAT THE LEVER FACES YOU

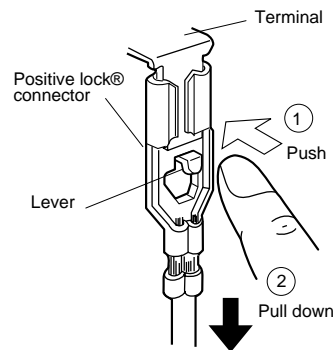


Figure C-3. Positive lock® connector

TERMINAL INSULATOR REPLACEMENT

1. Disconnect the power supply cord, and then remove outer case.
2. Open the door and block it open.
3. Discharge high voltage capacitor.
4. Open covers of the terminal insulator by using small flat type screw driver.
5. Remove the receptacle from the terminal insulator.
6. Now, the terminal insulator is free.

Installation

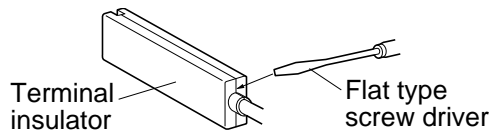


Figure C-4(a). Terminal insulator

1. Insert the receptacle into terminal insulator.
2. Close covers of the terminal insulator, as shown below.
3. Reconnect all leads removed from components during testing.
4. Reinstall the outer case (cabinet).
5. Reconnect the power supply cord after the outer case is installed.
6. Run the oven and check all functions.

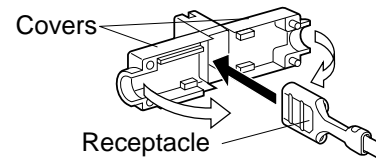


Figure C-4(b). Terminal insulator

DOOR SENSING SWITCH/SECONDARY INTERLOCK SWITCH AND MONITOR SWITCH REMOVAL

1. Disconnect the power supply cord and remove outer case.
2. Open the door and block it open.
3. To discharge the high voltage capacitor, wait for 60 seconds.
4. Disconnect the wire leads from the switches.
5. Push outward on the one (1) retaining tabs holding switch in place.
6. The switch is now free.

Reinstallation

1. Re-install each switch in its place. The secondary interlock/monitor switches are in the lower position and the door sensing switch is in the upper position.
2. Re-connect wire leads to each switch. Refer to pictorial diagram.
3. Make sure that the monitor switch is operating properly and check continuity of the monitor circuit. Refer to chapter "Test Procedure" and Adjustment procedure.

DOOR SENSING SWITCH/SECONDARY INTERLOCK SWITCH AND MONITOR SWITCH ADJUSTMENT

1. Disconnect the power supply cord, and then remove outer case.
2. Open the door and block it open.
3. To discharge the high voltage capacitor, wait for 60 seconds.

If the door sensing switch, secondary interlock switch and monitor switch do not operate properly due to a misadjustment, the following adjustment should be made.

4. Loosen the two (2) screws holding latch hook to the oven cavity front flange.
5. With door closed, adjust latch hook by moving it back and forth, and up and down. In and out play of the door allowed by the upper and lower position of the latch hook should be less than 0.5mm. The vertical position of the latch hook should be adjusted so that the door sensing switch and secondary interlock switch are activated with the door closed. The horizontal position of the latch hook should be adjusted so that the plunger of the monitor switch is pressed with the door closed.
6. Secure the screws with washers firmly.
7. Check the operation of all switches. If each switch has not activated with the door closed, loosen screw and adjust the latch hook position.

After adjustment, check the following.

1. In and out play of door remains less than 0.5mm when in

the latched position. First check upper position of latch hook, pushing and pulling upper portion of door toward the oven face. Then check lower portion of the latch hook, pushing and pulling lower portion of the door toward the oven face. Both results (play in the door) should be less than 0.5mm.

2. The contacts of door sensing switch and secondary interlock switch open within 1.6mm gap between right side of cavity face plate and door when door is open.
3. Monitor switch contacts close when door is opened.
4. Re-install outer case and check for microwave leakage around door with an approved microwave survey meter. (Refer to Microwave Measurement Procedure.)

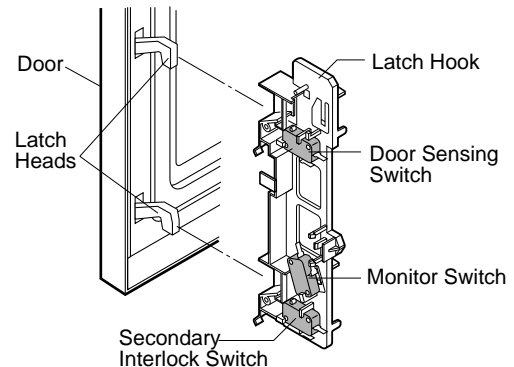


Figure C-5. Latch Switch Adjustments

DOOR REPLACEMENT

REMOVAL

1. Disconnect the power supply cord and then remove the outer case.
2. Open the door slightly.
3. To discharge high voltage capacitor, wait for 60 seconds.
4. Disconnect the wire harness from the power unit on the base plate.
5. Insert a putty knife (thickness of about 0.5mm) into the gap between the choke cover and door frame as shown in Figure C-6 to free engaging parts.
6. Pry the choke cover by inserting a putty knife as shown Figure C-6.
7. Release choke cover from door panel.
8. Now choke cover is free.

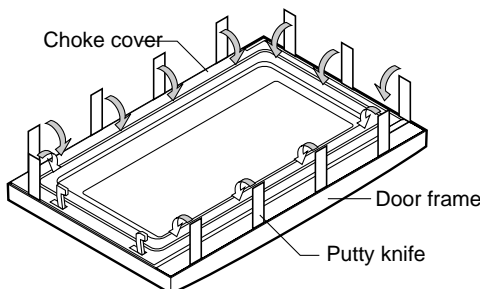


Figure C-6. Door Disassembly

9. Release two (2) pins of door panel from two (2) holes of upper and lower oven hinges by lifting up.
10. When pulling out the wire harness from the hole of the oven cavity front plate and the front leg. Remove the door from the oven cavity.

11. Now, the door is free from the oven cavity.

REINSTALLATION

1. Insert the wire harness to the holes of the front leg and the oven cavity front plate.
2. Catch two (2) pins of door panel on two (2) hole of upper and lower oven hinges.
3. Re-install choke cover to door panel by pushing.
4. Connect the wire harness to the power unit on the base plate.
5. Now the door is installed.

Note: After any service to the door;

- (A) Make sure that door sensing switch and secondary interlock switch are operating properly. (Refer to chapter "Test Procedures".)
- (B) An approved microwave survey meter should be used to assure compliance with proper microwave radiation emission limitation standards.

After any service, make sure of the following :

1. Door latch heads smoothly catch latch hook through latch holes and that latch head goes through center of latch hole.
2. Deviation of door alignment from horizontal line of cavity face plate is to be less than 1.0mm.
3. Door is positioned with its face pressed toward cavity face plate.
4. Check for microwave leakage around door with an approved microwave survey meter. (Refer to Microwave Measurement Procedure.)

Note: The door on a microwave oven is designed to act as an electronic seal preventing the leakage of microwave energy from oven cavity during cook cycle. This function does not require that door be air-tight, moisture (condensation)-tight or light-tight. Therefore, occasional appearance of moisture, light or sensing of gentle warm air movement around oven door is not abnormal and do not of themselves indicate a leakage of microwave energy from oven cavity.

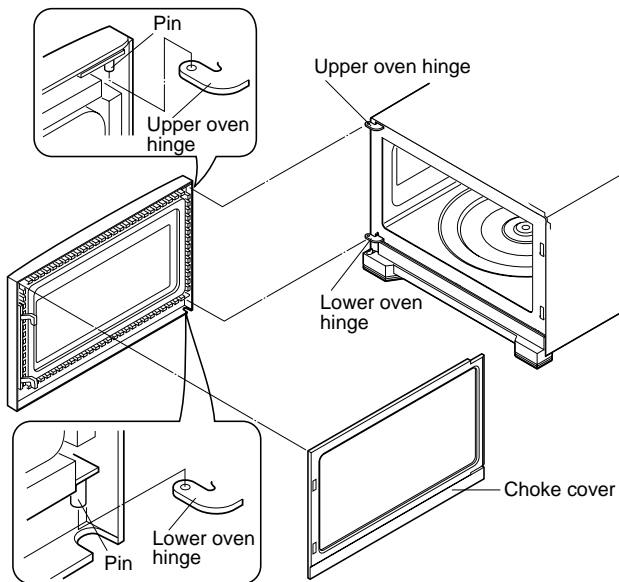


Figure C-7. Door Replacement

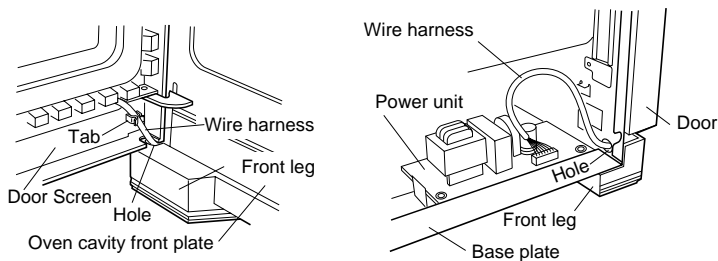


Figure C-8. Routing of wire harness

SEALER FILM

Installation

1. Put the adhesive tape on the backing film of the sealer film as shown in Fig. C-9.
2. Tear the backing film by pulling the adhesive tape.
3. Put the pasted side of the sealer film on the door panel.

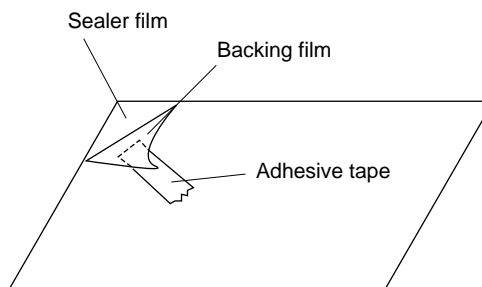


Figure C-9. Sealer film

INDIVIDUAL DOOR PARTS REMOVAL

DOOR PANEL

1. Disconnect the power supply cord.
2. Remove the door from the oven. Refer to "DOOR REPLACEMENT".
3. To discharge the high voltage capacitor, wait for 60 seconds.
4. The choke cover should have been removed.
5. Remove the four (4) screws holding the door panel to the door screen.
6. Now, door panel is free.

HANDLE

7. Remove the two (2) screws holding the handle mounting angle to the handle through the door screen.
8. Now, the handle is free.

LATCH HEAD AND LATCH SPRING

7. Slide the latch head and remove it from the door frame with releasing the latch spring from the door frame and the latch head.
8. Now, the latch head and the latch spring are free.

CPU UNIT

7. Remove the two (2) screws holding the PWB cover to the door screen.
8. Releasing the two (2) tabs, remove the PWB cover from the door screen.
9. Disconnect the wire harness from the CPU unit.

10. Disconnect the ribbon cable of the key unit from the CPU unit.
11. Remove the two (2) screws holding the LCD holder to the door screen.
12. Remove the LCD holder from the door screen. Release the four (4) tabs.
13. Release the LCD of the CPU unit from the LCD holder.
14. Remove the two (2) screws holding the CPU unit to the LCD holder.
15. Remove the CPU unit from the LCD holder. Release the four (4) tabs.
16. Now the CPU unit is free.

DOOR FRAME AND DOOR SCREEN ASSEMBLY

17. Remove the handle from the door screen assembly. Refer to the chapter of HANDLE.
18. Releasing the four (4) tabs, remove the door frame from the door screen assembly.
19. Now, the door frame and the door screen assembly is free.

NOTE: For wire harness

Before the door panel is reinstalled to the door screen assembly, make sure that the wire harness is held by the five (5) pairs of tabs on the door screen as shown in Figure C-10.

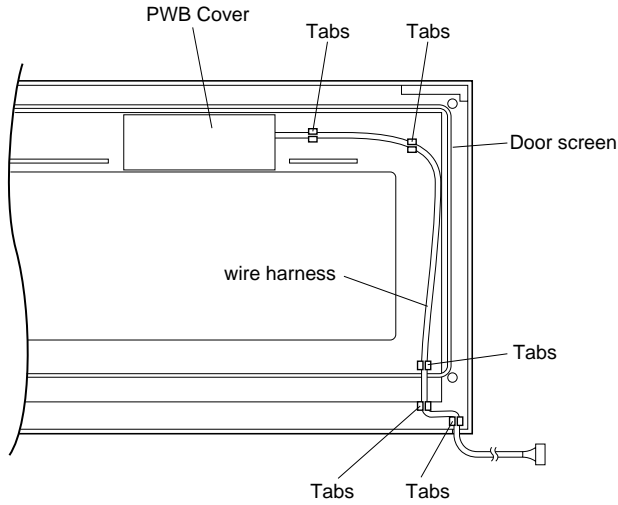


Figure C-10. Routing of wire harness

NOTE: For key sheet

1. Before attaching a new key sheet, wipe off remaining adhesive on the door screen surfaces completely with a soft cloth soaked in alcohol.
2. When attaching the key sheet to the door screen, adjust the upper edge and left edge of the key sheet to the correct position of door screen.
3. Stick the key sheet firmly to the door screen by rubbing with a soft cloth so not to scratch.

NOTE: For CPU unit

Handle the CPU unit carefully so that the ribbon cable does not come off. Because the ribbon cable is glued onto the LCD and the printed wiring board only by heated paste.

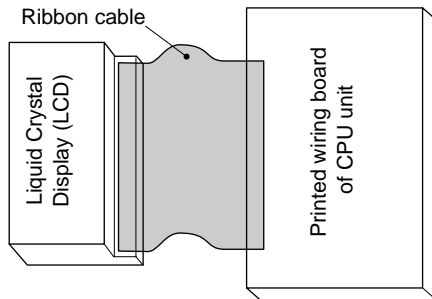
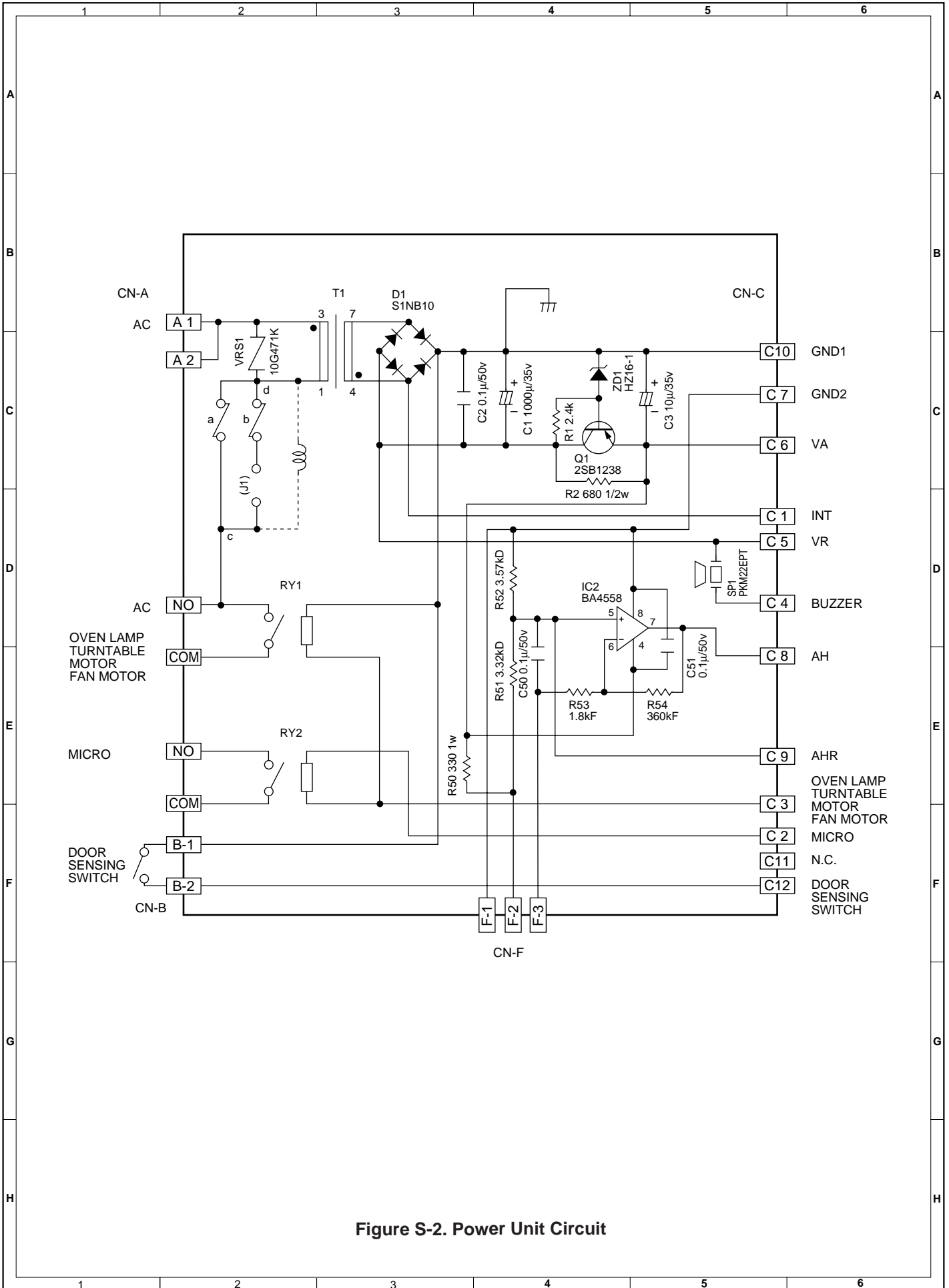
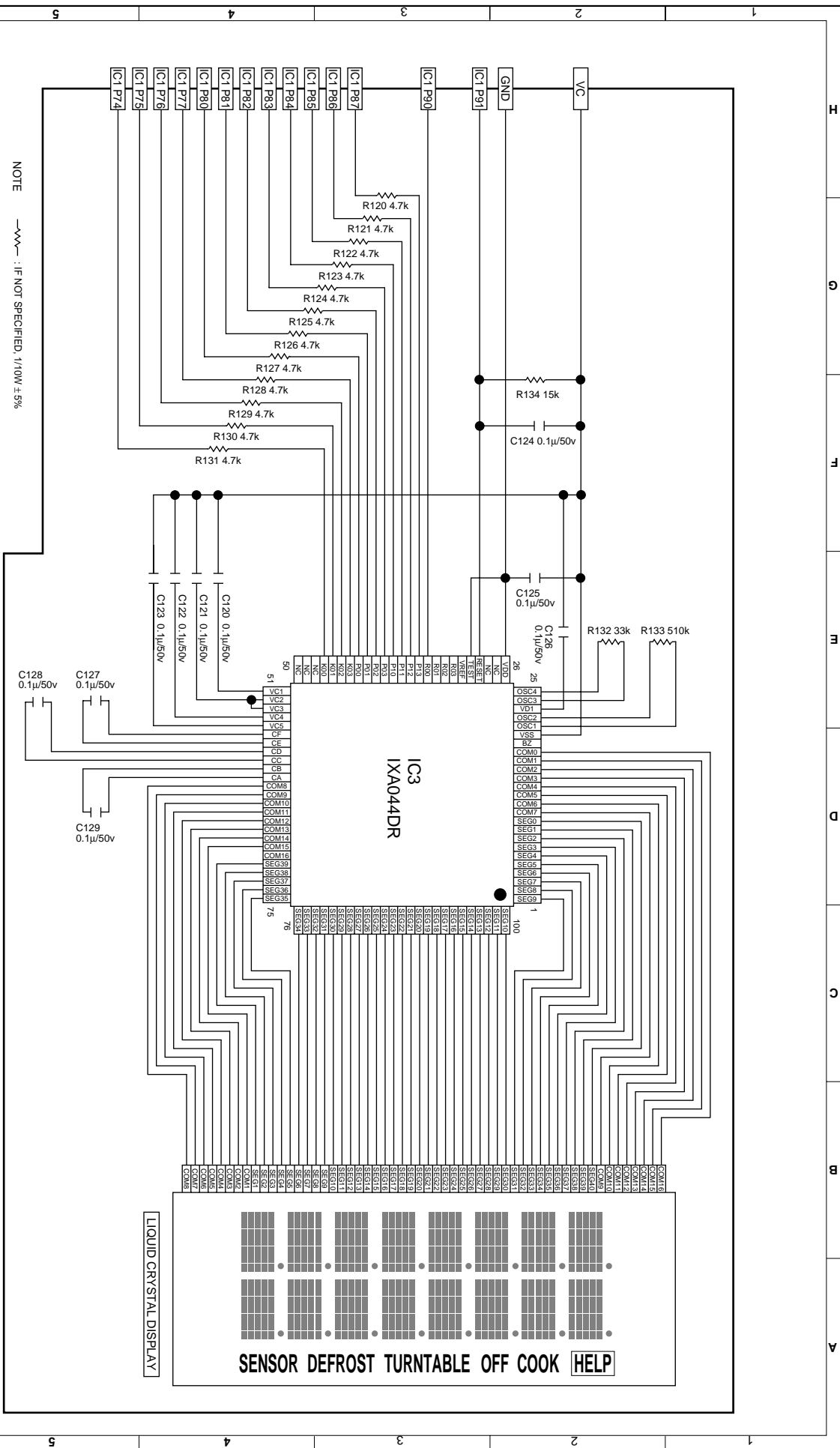


Figure C-11. CPU unit





NOTE ---R--- : IF NOT SPECIFIED, 1/10W ±5%

Figure S-4. Indicator Circuit

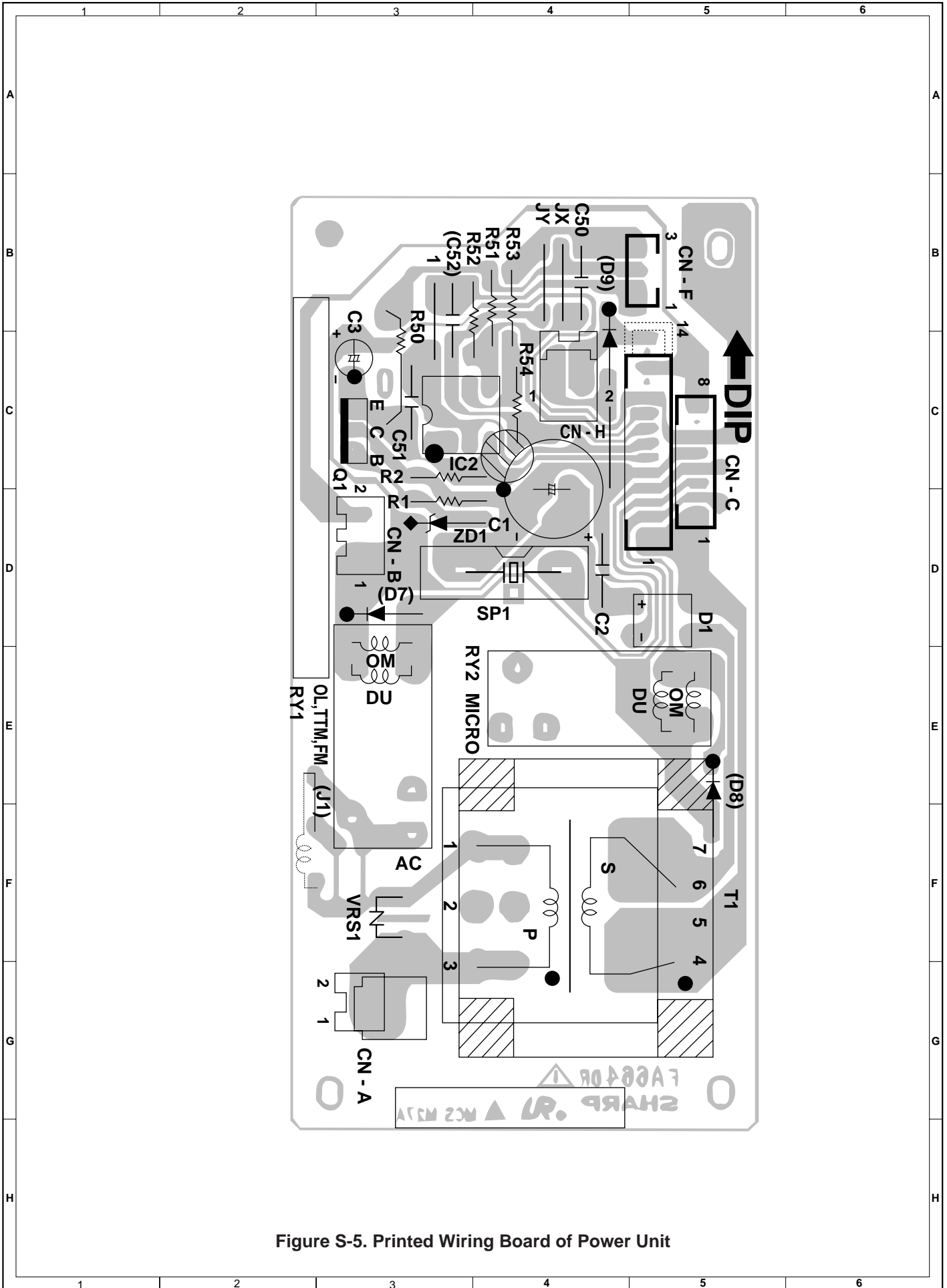


Figure S-5. Printed Wiring Board of Power Unit

PARTS LIST

Note: The parts marked "Δ" may cause undue microwave exposure.
The parts marked "*" are used in voltage more than 250V.

REF. NO.	PART NO.	DESCRIPTION	Q'TY	CODE
ELECTRIC PARTS				
1- 1	FACCDA083WRE0	Power supply cord	1	AQ
1- 2	QFSHDA009WRE0	Fuse holder	1	AH
1- 3	QSW-MA137WRE0	2nd interlock switch / door sensing switch	2	AH
1- 4	FFS-BA023WRK0	Monitor fuse 20A and monitor switch (AM5160C53Y1) assembly	1	AS
1- 5	RTHM-A116WRE0	Thermal cut-out 125 deg. C (MG)	1	AK
* 1- 6	FH-DZA097WRKZ	High voltage rectifier assembly	1	AP
* 1- 7	RC-QZA211WRE0	High voltage capacitor	1	AV
1- 8	RMOTEA395WRZZ	Fan motor	1	AW
* 1- 9	RTRN-A609WRZZ	Power transformer	1	BK
1-10	QSOCLA021WRE0	Oven lamp socket	1	AH
1-11	RLMPTA068WRE0	Oven lamp	1	AG
1-11	RLMPTA030WRE0	Oven lamp (Interchangeable)	1	AE
1-12	RMOTDA229WRE0	Turntable motor	1	AQ
1-12	RMOTDA211WRE0	Turntable motor (Interchangeable)	1	AS
1-13	RTHM-A123WRZZ	Thermal cut-out 125 deg. C (OVEN)	1	AK
Δ* 1-14	RV-MZA310WRZZ	Magnetron	1	BG
1-15	FDTCTA209WRKZ	AH sensor	1	AU

CABINET PARTS

2- 1	FDAI-A215WRYZ	Base plate	1	AY
2- 2	GLEGPA074WRE0	Foot	1	AC
2- 3	GLEGPA081WRFZ	Leg	1	AC
2- 4	GCABUA773WRPZ	Outer case cabinet [R-630DK]	1	BD
2- 4	GCABUA775WRPZ	Outer case cabinet [R-630DW]	1	BD
2- 4	GCABUA777WRPZ	Outer case cabinet [R-630DS]	1	BD
2- 5	GLEGPA080WRFZ	Front leg [R-630DK]	1	AL
2- 5	GLEGPA082WRFZ	Front leg [R-630DW]	1	AL
2- 5	GLEGPA080WRFZ	Front leg [R-630DS]	1	AL
2- 6	PPACGA178WREZ	Cushion	2	AD

POWER UNIT PARTS

3- 1	DPWBFC096WRUZ	Power unit	1	BB
3- 1A	QCNCMA446DRE0	2-pin connector (CN-A)	1	AC
3- 1B	QCNCMA431DRE0	2-pin connector (CN-B)	1	AC
3- 1C	QCNCMA463DRZZ	12-pin connector (CN-C)	1	AE
3- 1D	QCNCMA237DRE0	3-pin connector (CN-F)	1	AD
C1	VCEAB31VW108M	Capacitor 1000 uF 35V	1	AF
C2	RC-KZA087DRE0	Capacitor 0.1 uF 50V	1	AA
C3	VCEAB31VW106M	Capacitor 10 uF 35V	1	AA
C50-51	RC-KZA087DRE0	Capacitor 0.1 uF 50V	2	AA
D1	RSRCDA013DRE0	Diode (S1NB10)	1	AG
IC2	VHIBA4558//-6	IC (BA4558)	1	AK
Q1	VS2SB1238//-3	Transistor (2SB1238)	1	AA
R1	VRD-B12EF242J	Resistor 2.4k ohm 1/4W	1	AA
R2	VRD-B12HF681J	Resistor 680 ohm 1/2W	1	AA
R50	VRS-B13AA331J	Resistor 330 ohm 1W	1	AA
R51	RR-DZA285DRZZ	Resistor 3.32k ohm 1/4W	1	AC
R52	RR-DZA286DRZZ	Resistor 3.57k ohm 1/4W	1	AC
R53	VRN-B12EK182F	Resistor 1.8k ohm 1/4W	1	AA
R54	VRN-B12EK364F	Resistor 360k ohm 1/4W	1	AA
RY1	RRLY-A076DRE0	Relay (OMIF-S-124LM)	1	AK
RY2	RRLY-A113DRE0	Relay (DU24D1-P(M)-R)	1	AM
SP1	RALM-A014DRE0	Buzzer (PKM22EPT)	1	AG
T1	RTRNPA111DRE0	Transformer	1	AP
VRS1	RH-VZA032DRE0	Varistor (10G471K)	1	AE
ZD1	VHEHZ161///-1	Zener diode (HZ16-1)	1	AA

OVEN PARTS

Δ 4- 1	PHOK-A118WRFZ	Latch hook	1	AH
4- 2	LBNDKA099WRW0	Capacitor holder	1	AD
4- 3	LFLG-A028WREZ	Bearing	1	AL
4- 4	FANGKA211WRWZ	Fan case assembly	1	AP
4- 5	LANGRA055WRWZ	Fan motor mounting angle	1	AE
4- 6	LANGRA056WRWZ	Bearing holder	1	AF
4- 7	NFANJA046WREZ	Cross flow fan	1	AG
4- 8	LANG-A069WRPZ	Magnetron air guide A	1	AL
4- 9	LANG-A080WRWZ	Magnetron air guide B	1	AC

REF. NO.	PART NO.	DESCRIPTION	Q'TY	CODE
4-10	PPACGA084WRF0	TTM packing	1	AE
4-11	LANG-A081WRWZ	Separate angle B	1	AD
4-12	*****	Oven cavity (Not a replaceable part)	1	--
4-13	GCOVHA419WRFZ	Choke cover	1	AK
4-14	LANGQA526WRWZ	Lamp angle	1	AC
4-15	LANG-A077WRPZ	Magnetron thermal cut-out angle	1	AC
4-16	PCOVPA361WREZ	Waveguide cover	1	AD
4-17	PCUSGA057WRP0	Cushion	1	AA
4-18	PCUSUA557WRPZ	Cushion	1	AC
4-19	PCUSUA556WRPZ	Cushion	1	AC
4-20	PCUSUA126WRE0	Cushion	1	AC
4-21	PPACGA177WREZ	Cushion	1	AC
4-22	PCUSUA560WRPZ	Cushion	2	AB
4-23	PCUSUA376WRP0	Cushion	1	AF
4-24	PCUSGA548WRPZ	Cushion	1	AK
4-25	PCUSUA558WRPZ	Cushion	1	AC
4-26	PDUC-A761WRTZ	Exhaust duct	1	AL
4-27	LANGFA200WRPZ	Support angle	1	AD
4-28	PCUSUA375WRP0	Cushion	1	AH
4-29	PCUSGA247WRP0	Cushion	1	AA
4-30	PCUSGA057WRP0	Cushion	1	AA

DOOR PARTS

5- 1	FDORFA343WRTZ	Door panel	1	AS
5- 2	PSHEPA735WREZ	Sealer film	1	AG
5- 3	FPNL-A042WRKZ	Door screen assembly [R-630DK]	1	BH
5- 3	FPNL-A043WRKZ	Door screen assembly [R-630DW]	1	BG
5- 3	FPNL-A042WRKZ	Door screen assembly [R-630DS]	1	BH
5-3-1	PSHEPA741WREZ	Key sheet [R-630DK]	1	BA
5-3-1	PSHEPA742WREZ	Key sheet [R-630DW]	1	BA
5-3-1	PSHEPA741WREZ	Key sheet [R-630DS]	1	BA
5- 4	GWAKPA736WRFZ	Door frame [R-630DK]	1	AR
5- 4	GWAKPA737WRFZ	Door frame [R-630DW]	1	AV
5- 4	GWAKPA738WRTZ	Door frame [R-630DS]	1	AR
5- 5	JHNDPA188WRTZ	Handle [R-630DK]	1	AP
5- 5	JHNDPA188WRTZ	Handle [R-630DW]	1	AP
5- 5	JHNDPA186WRMZ	Handle [R-630DS]	1	AP
5- 6	LANGKA941WRPZ	Handle mounting angle	1	AR
5- 7	LSTPPA193WRFZ	Latch head	1	AE
5- 8	MSPRTA187WRE0	Latch spring	1	AC
5- 9	LHLD-A226WRFZ	LCD holder	1	AD
5-10	PCOVPA367WRWZ	PWB cover	1	AD
5-11	LX-EZA059WREZ	Special screw	2	AD
5-12	XCPD40P08000	Screw : 4mm x 8mm	4	AA
5-13	XEPSD30P08XS0	Screw : 3mm x 8mm	4	AA
5-14	PCUSGA545WRPZ	Cushion	1	AC
5-15	PCUSUA559WRPZ	Cushion	1	AC
5-16	PCUSUA445WRP0	Cushion	1	AE
5-17	PSHEPA672WRE0	LED sheet	1	AK
5-18	XEPSD40P16000	Screw : 4mm x 16mm	2	AA
5-19	FW-VZA265DREZ	12-pin wire harness	1	AT
5-20	DPWBFC097WRKZ	CPU unit	1	BH
5-21	XCPD40P06000	Screw : 4mm x 6mm	2	AA

MISCELLANEOUS

6- 1	FROLPA095WRKZ	Turntable support	1	AP
6- 2	NTNT-A099WRE0	Turntable tray	1	AX
6- 3	FW-VZB789WREZ	Main wire harness	1	AS
6- 4	QW-QZA150WRE0	High voltage wire B	1	AF
6- 5	PZET-A012WRE0	Terminal insulator	1	AB
6- 6	TCAUAA156WRR0	User caution label	1	AF
6- 7	TCAUAA166WRR0	DHHS caution label	1	AC
6- 8	TCAUAA254WRR0	Monitor caution label	1	AC
6- 9	TCAUAA255WRR0	Screw caution	1	AC
6-10	TINSEA863WRRZ	Instruction book	1	AE
6-11	FW-VZB801WREZ	Switch harness	1	AF
6-12	FW-VZB802WREZ	T.T. motor harness	1	AF
6-13	TLABMA646WRRZ	Menu label	1	AC
6-14	TCADCA724WRRZ	Recipe sheet	1	AD

SCREWS,NUTS AND WASHERS

7- 1	XHPD40P08K00	Screw : 4mm x 8mm	3	AA
7- 2	XBPSD40P08K00	Screw : 4mm x 8mm	2	AA

REF. NO.	PART NO.	DESCRIPTION	Q'TY	CODE
7- 3	XOTSD40P08000	Screw : 4mm x 8mm	14	AA
7- 4	LX-EZA057WREZ	Special screw	4	AC
7- 5	LX-CZA073WRE0	Special screw	2	AC
7- 6	XHPSD30P08XS0	Screw : 3mm x 8mm	2	AB
7- 7	XHTSD40P08RV0	Screw : 4mm x 8mm	1	AA
7- 8	LX-CZA070WRE0	Special screw (Torx tamper proof screw)	2	AC
7- 9	LX-CZ0052WRE0	Special screw	2	AA
7-10	XHPSD30P06000	Screw : 3mm x 6mm	1	AA
7-11	XHTSD40P08000	Screw : 4mm x 8mm	16	AA
7-12	XHTSD40P12RV0	Screw : 4mm x 12mm	1	AA
7-13	XOTSD40P12RV0	Screw : 4mm x 12mm	3	AA
7-14	XOTSF40P08000	Screw : 4mm x 8mm [R-610DK]	2	AA
7-14	XOTSE40P08000	Screw : 4mm x 8mm [R-610DW]	2	AA
7-14	XOTSE40P08000	Screw : 4mm x 8mm [R-610DS]	2	AA
7-15	XOTSD40P12000	Screw : 4mm x 12mm	2	AA
7-16	XOTSD40P10000	Screw : 4mm x 10mm	1	AA
7-17	LX-EZA060WREZ	Special screw	4	AA
7-18	XHBWW30P08000	Screw : 3mm x 8mm	2	AB

HOW TO ORDER REPLACEMENT PARTS

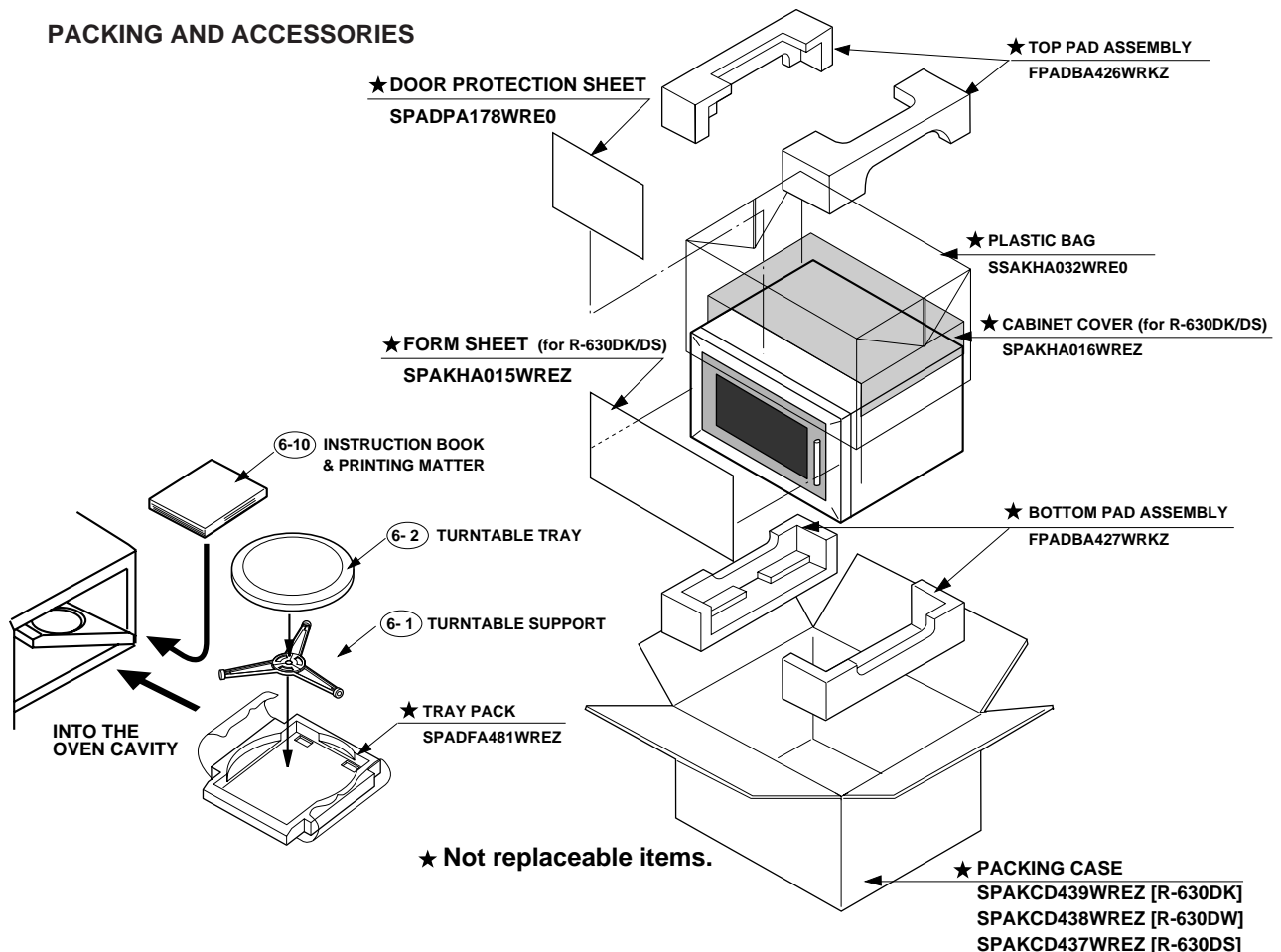
To have your order filled promptly and correctly, please furnish the following information.

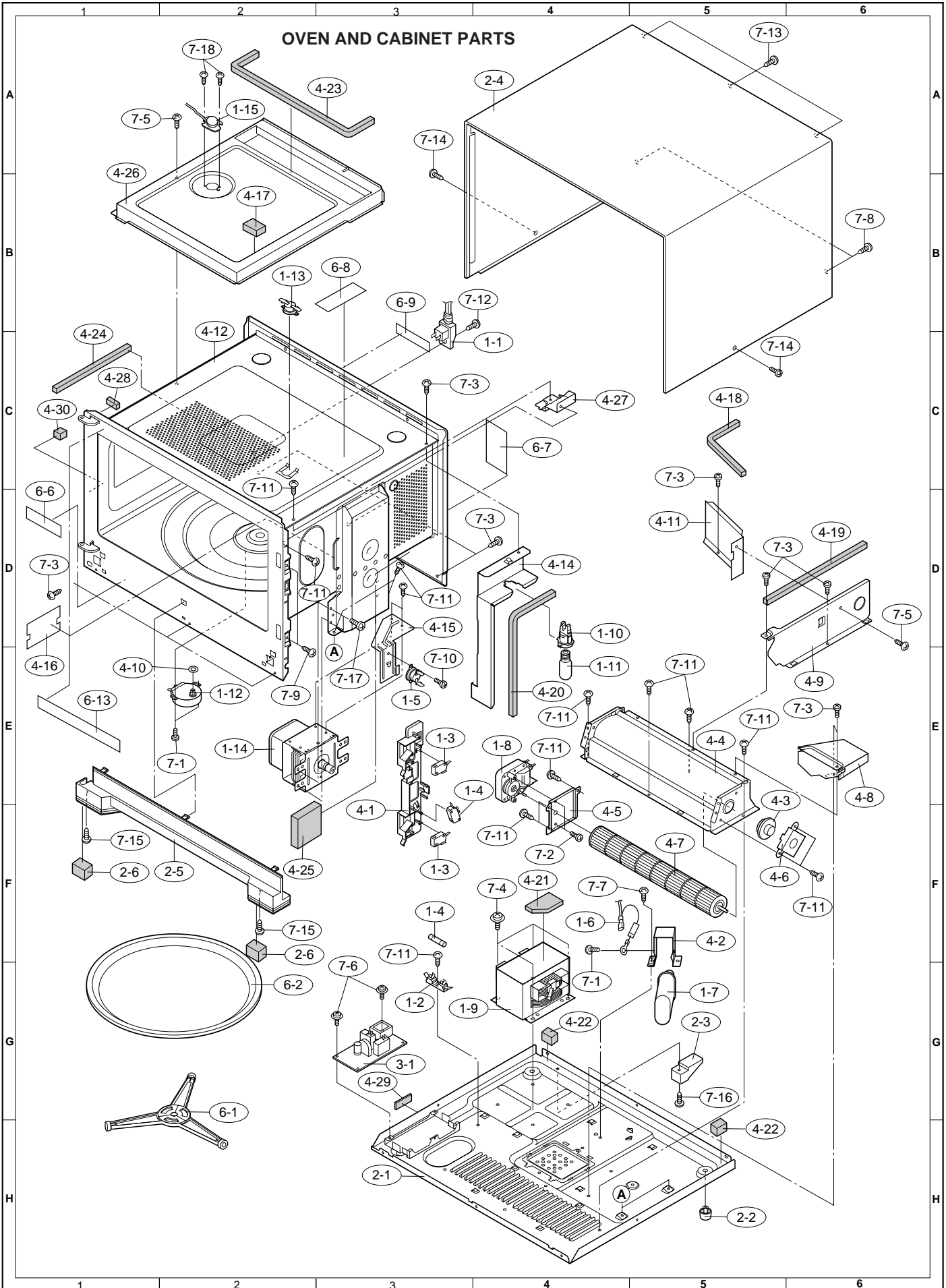
1. MODEL NUMBER
2. REF. NO.
3. PART NO.
4. DESCRIPTION

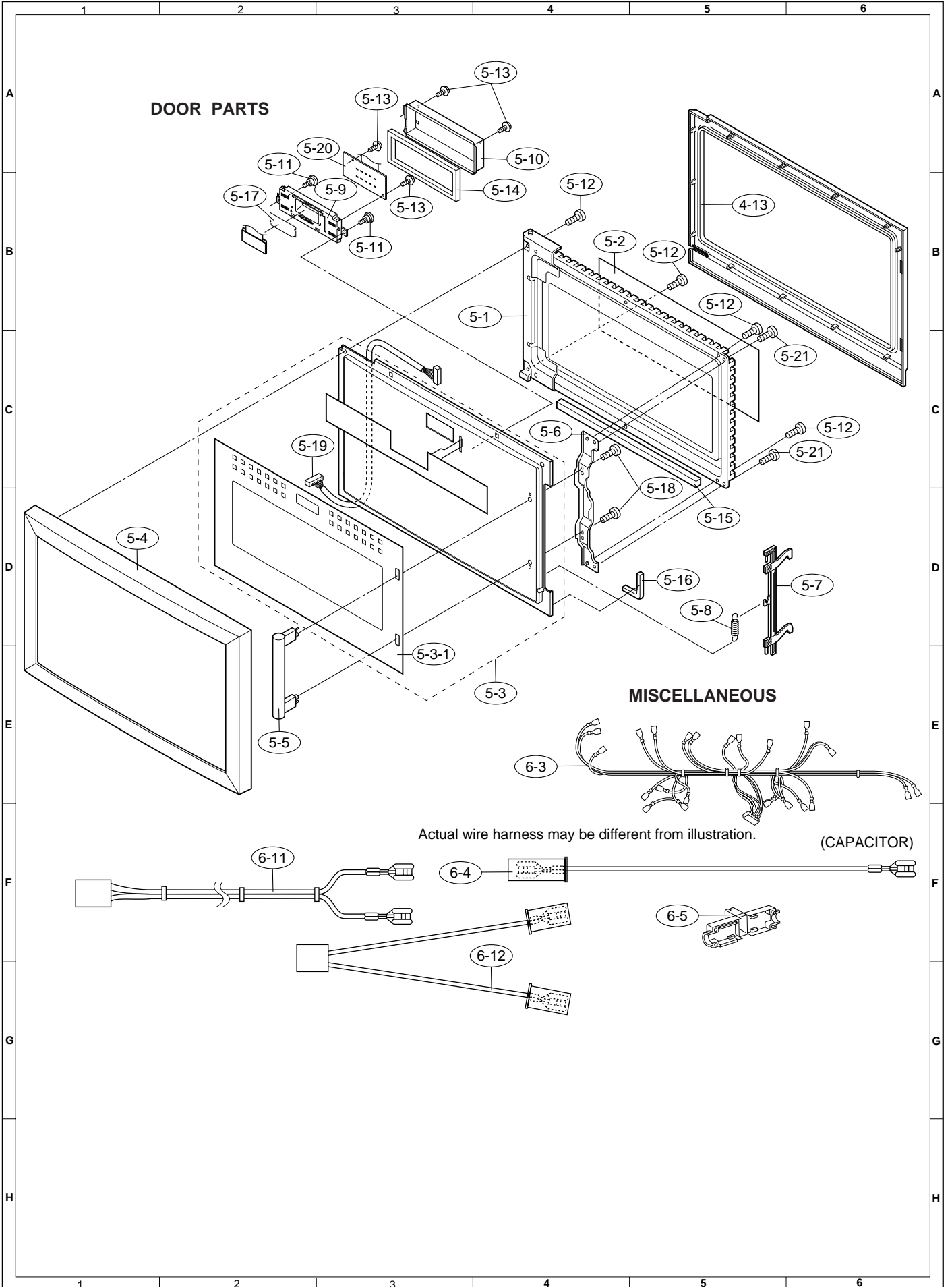
Order Parts from the authorized SHARP parts Distributor for your area.

Defective parts requiring return should be returned as indicated in the Service Policy.

PACKING AND ACCESSORIES







SHARP

COPYRIGHT © 2000 BY SHARP CORPORATION

ALL RIGHTS RESERVED.

No part of this publication may be reproduced, stored in retrieval systems, or transmitted in any form or by any means, electronic, mechanical, photocopying, recording, or otherwise, without prior written permission of the publisher.